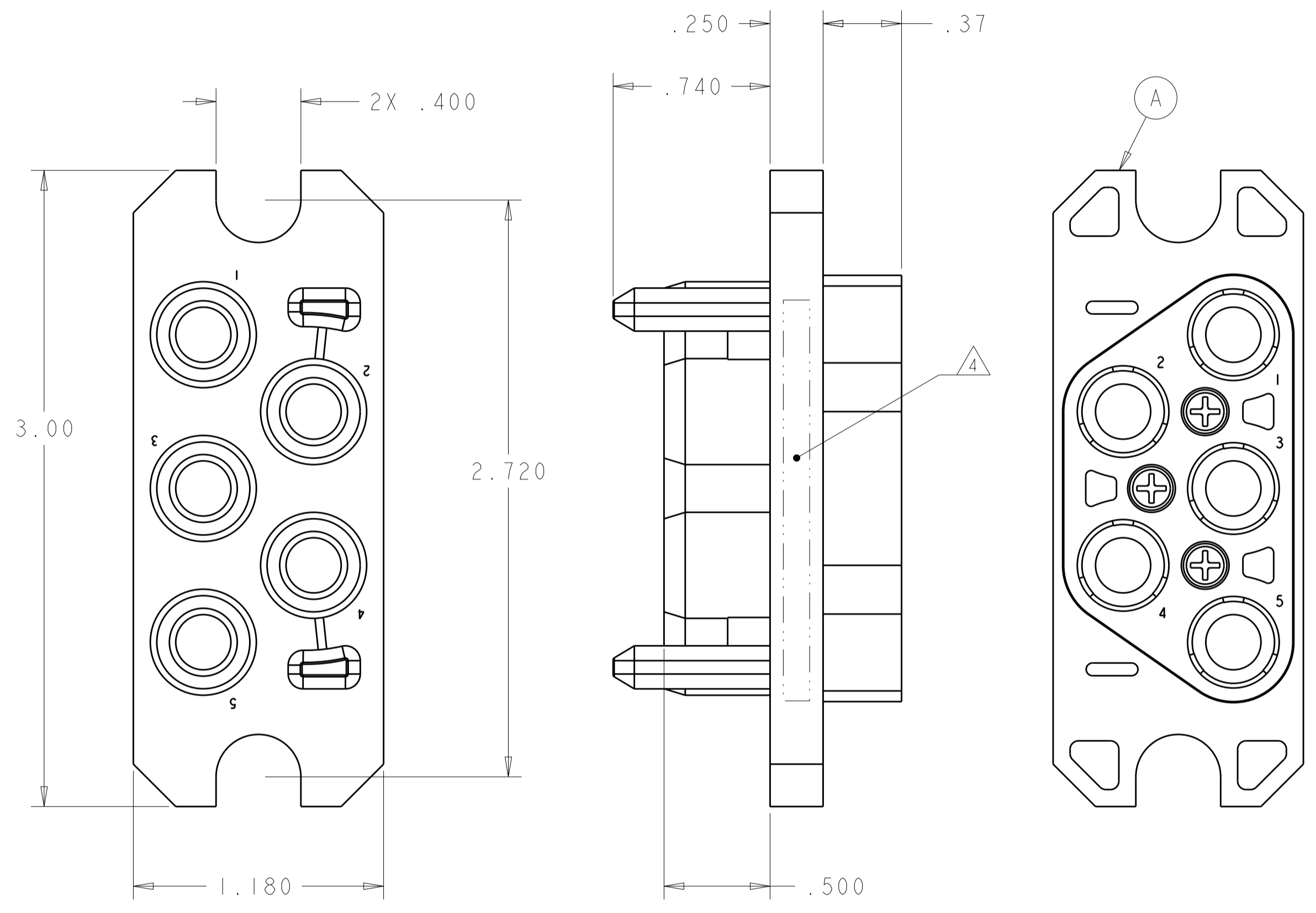


THIS DRAWING IS UNPUBLISHED. RELEASED FOR PUBLICATION 20  
 © COPYRIGHT 20 BY TYCO ELECTRONICS CORPORATION. ALL RIGHTS RESERVED.

LOC		DIST		REVISIONS			
P	LTR	DESCRIPTION	DATE	DWN	APVD		
GP	00	A	NEW RELEASE	12FEB2008	RG	SF	



- PART NUMBER CHANGES AND OR DESIGN CHANGES AFFECTING THE INTERCHANGEABILITY REQUIRE PRIOR TYCO ELECTRONICS APPROVAL AND AUTHORIZATION BY REVISION TO THIS DRAWING.
- MATERIAL:  
 INSULATOR: THERMOPLASTIC, GLASS REINFORCED, FLAMMABILITY RATED, COLOR: BLACK  
 PIN CONTACT: COPPER ALLOY  
 RETENTION CLIP: BERYLLIUM COPPER OR STAINLESS STEEL
- FINISH:  
 SOCKET CONTACT: SILVER PLATE .000200 MIN THK. OVER NICKEL .000040 MIN THK.  
 CROWN BAND: GOLD PLATE .000030 MIN THK. OVER NICKEL .000050 MIN THK.

△ 4 ITEMS PROVIDED TO THIS SPECIFICATION TO BE PERMANENTLY IDENTIFIED PER THE FOLLOWING IDENTIFIER:

YEAR 11 WEEK 1

TYCO ELECTRONICS P/N XXXXXXXX-X DATE CODE (e.g. 0216) XXXX

- CRIMP SOCKET CONTACTS (ITEM B) SHALL BE PACKAGED SEPARATELY AND PLACED IN THE BOX WITH THE CONN. ASSEMBLY.
- MOUNTING HARDWARE: SHOULDER SCREW REF. P/N 1650596-1 TO BE OREDED SEPERATELY, SHOWN FOR REFERENCE ONLY.

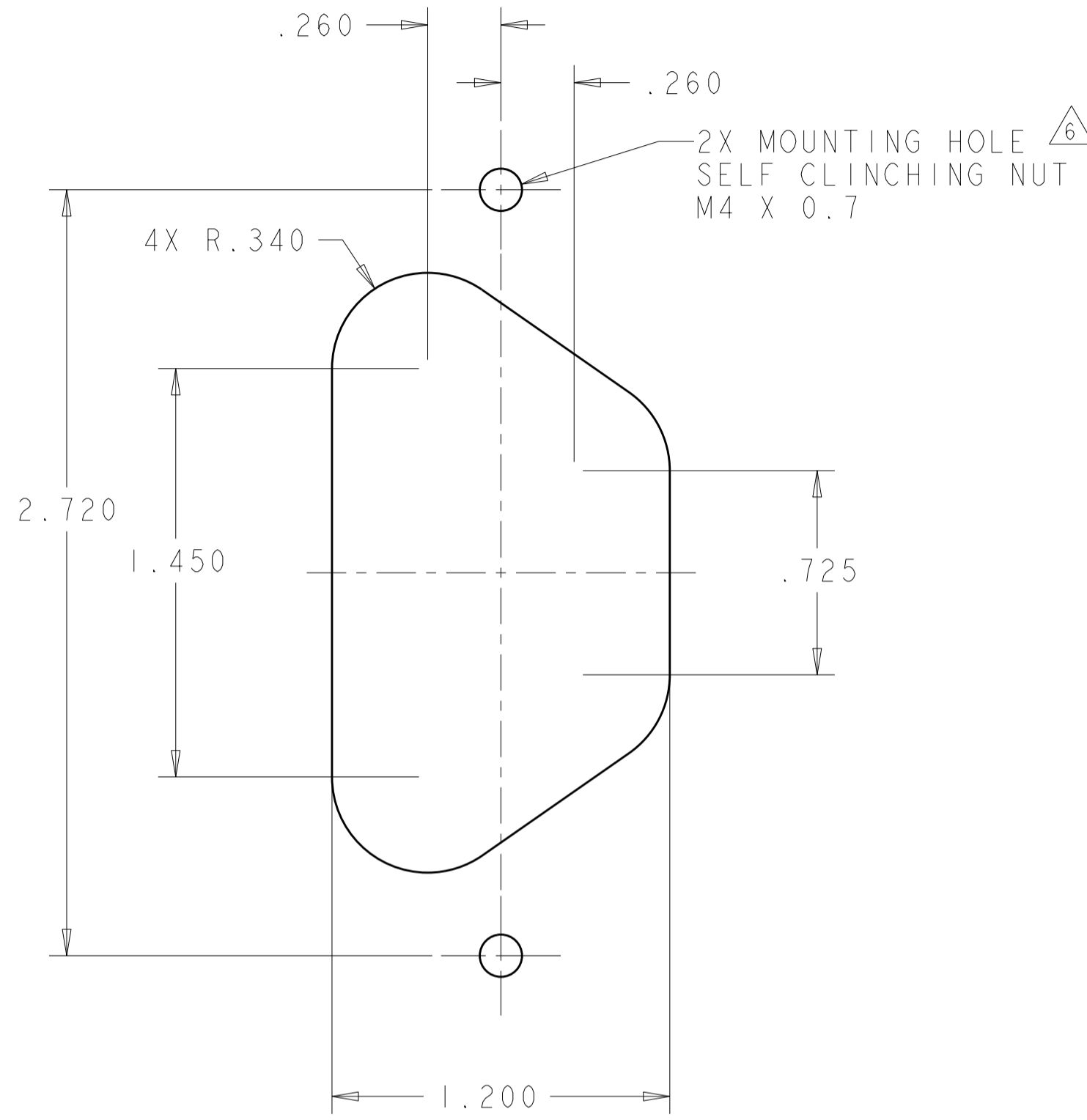
△ 5	5	1648434-1	CONTACT, SOCKET, No. 4, CRIMP	B
	1	1651458-2	HOUSING W/ RETENTION CLIPS	A
	-1	PART NUMBER	DESCRIPTION	ITEM

<small>THIS DRAWING IS A CONTROLLED DOCUMENT FOR TYCO ELECTRONICS CORPORATION. IT IS SUBJECT TO CHANGE AND THE CONTROLLING ENGINEERING ORGANIZATION SHOULD BE CONTACTED FOR THE LATEST REVISION.</small>		DWN R. GRZYBOWSKI 12FEB2008 CHK S. FLICKINGER 12FEB2008 APVD S. FLICKINGER 12FEB2008	Tyco Electronics Harrisburg, PA 17105-3608
DIMENSIONS: INCHES	TOLERANCES UNLESS OTHERWISE SPECIFIED: 0 PLC ± 1 PLC ±.02 2 PLC ±.02 3 PLC ±.010 4 PLC ± ANGLES ± FINISH	PRODUCT SPEC APPLICATION SPEC	NAME SOCKET CONNECTOR CRIMP CONTACTS P550 DRAWER
MATERIAL		WEIGHT	SIZE A2 CAGE CODE 00779 DRAWING NO. C-1643745 RESTRICTED TO -
CUSTOMER DRAWING		SCALE 2:1	SHEET 1 OF 2 REV A

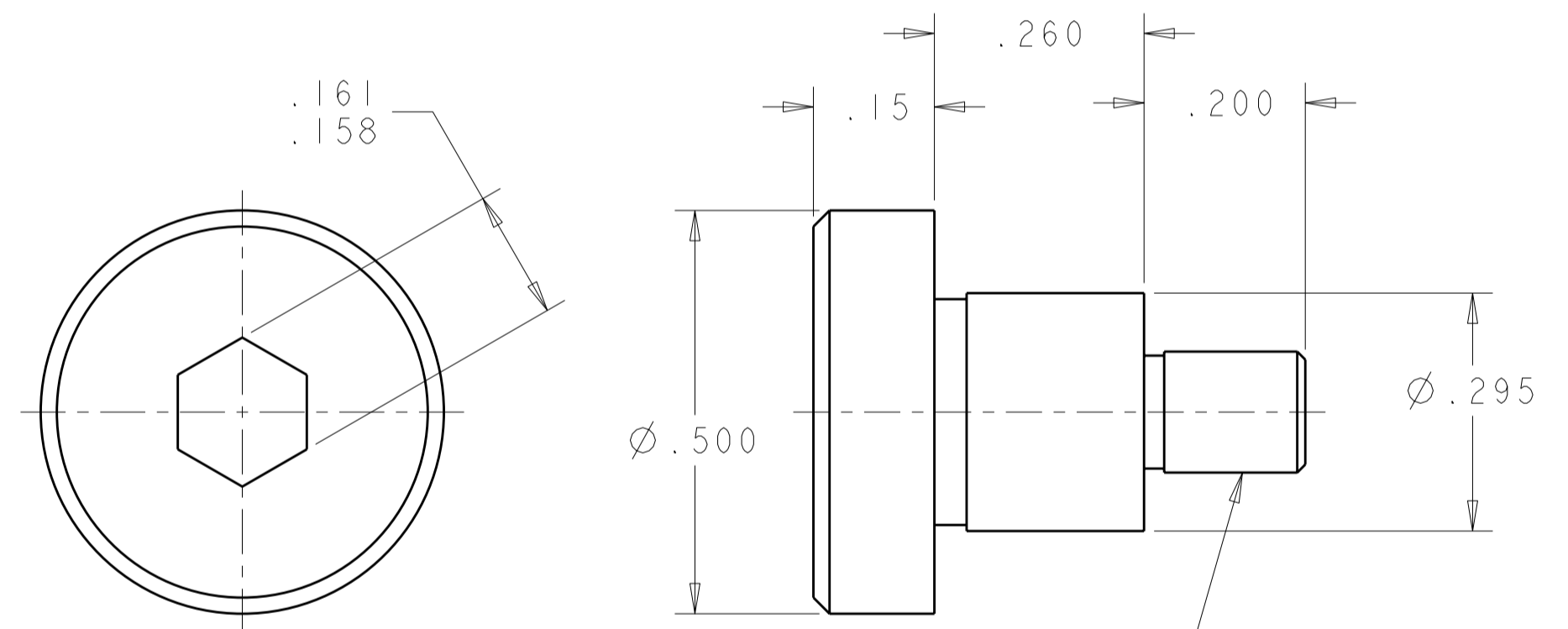
**ELCON P550 DRAWER**

THIS DRAWING IS UNPUBLISHED. RELEASED FOR PUBLICATION 20  
 © COPYRIGHT 20 BY TYCO ELECTRONICS CORPORATION. ALL RIGHTS RESERVED.

LOC	DIST	REVISIONS			
P	LTR	DESCRIPTION	DATE	DWN	APVD
GP	00	-	SEE SHEET 1	-	-



SUGGESTED PANEL CUTOUT  
 VIEWED FROM CONNECTOR MOUNTING SIDE



SHOULDER SCREW <sup>6</sup>  
 SCALE 5:1

**ELCON P550 DRAWER**

<small>THIS DRAWING IS A CONTROLLED DOCUMENT FOR TYCO ELECTRONICS CORPORATION          IT IS SUBJECT TO CHANGE AND THE CONTROLLING ENGINEERING ORGANIZATION          SHOULD BE CONTACTED FOR THE LATEST REVISION.</small>		DWN R.GRZYBOWSKI 12FEB2008 CHK S.FLICKINGER 12FEB2008 APVD S.FLICKINGER 12FEB2008 PRODUCT SPEC APPLICATION SPEC WEIGHT CUSTOMER DRAWING	<b>Tyco Electronics</b> Tyco Electronics Harrisburg, PA 17105-3608
DIMENSIONS: INCHES 	TOLERANCES UNLESS OTHERWISE SPECIFIED: 0 PLC ± 1 PLC ± 2 PLC ±.02 3 PLC ±.010 4 PLC ± ANGLES ± FINISH	NAME SOCKET CONNECTOR CRIMP CONTACTS P550 DRAWER SIZE CAGE CODE DRAWING NO A200779 C-1643745	RESTRICTED TO SCALE 2:1 SHEET 2 OF 2 REV A

单击下面可查看定价，库存，交付和生命周期等信息

[>>TE Connectivity\(泰科\)](#)