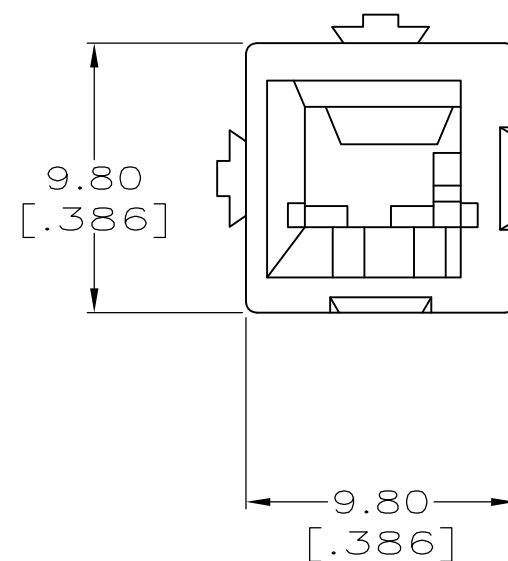
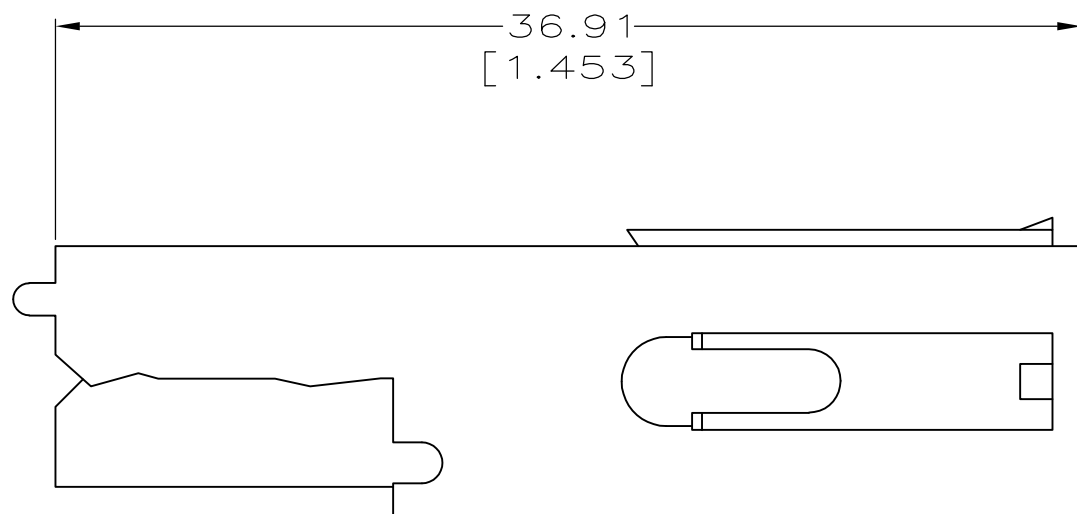


THIS DRAWING IS UNPUBLISHED. RELEASED FOR PUBLICATION - , - .
 © COPYRIGHT - By - ALL RIGHTS RESERVED.

LOC	DIST	REVISIONS					
FT	60	P	LTR	DESCRIPTION	DATE	DWN	APVD
		B1		REVISED PER ECO-11-004917	11MAR11	RK	HMR



- 1. ALL DIMENSIONS ARE MAXIMUM UNLESS OTHERWISE SPECIFIED.
- 2. THIS HOUSING IS USED WITH TERMINALS 556135-1,-2 [18-16-14 AWG CU WIRE: (-1) REEL AND (-2) LOOSE PIECE], AND 556136-1,-2 [12 AND 10 AWG CU WIRE: (-1) REEL AND (-2) LOOSE PIECE] AND MOUNTING ADAPTER 557313-1.

GRAY	556137-8
BLUE	556137-6
RED	556137-4
GREEN	556137-3
BLACK	556137-2
WHITE	556137-1
COLOR	PART NUMBER

THIS DRAWING IS A CONTROLLED DOCUMENT.		DWN M.BINNER 13 MAR 97	STE TE Connectivity												
DIMENSIONS: mm[INCHES]		CHK R.STONE 14 MAR 97													
TOLERANCES UNLESS OTHERWISE SPECIFIED:		APVD M.McALONIS 17 MAR 97	NAME HOUSING, SINGLE POSITION, WTW, AMPINERGY™												
<table border="0"> <tr> <td>0 PLC</td> <td>± -</td> <td rowspan="5" style="text-align: center;">1</td> </tr> <tr> <td>1 PLC</td> <td>± -</td> </tr> <tr> <td>2 PLC</td> <td>± -</td> </tr> <tr> <td>3 PLC</td> <td>± -</td> </tr> <tr> <td>4 PLC ANGLES</td> <td>± -</td> </tr> </table>		0 PLC	± -	1	1 PLC	± -	2 PLC	± -	3 PLC	± -	4 PLC ANGLES	± -	PRODUCT SPEC 108-1373	SIZE A3	
0 PLC	± -	1													
1 PLC	± -														
2 PLC	± -														
3 PLC	± -														
4 PLC ANGLES	± -														
MATERIAL POLYCARBONATE, 94V-0 COLOR: SEE TABLE		APPLICATION SPEC 114-6051	CAGE CODE 00779	DRAWING NO C-556137											
FINISH -		WEIGHT -	RESTRICTED TO -												
CUSTOMER DRAWING			SCALE 4:1	SHEET 1 of 1											
			REV B1												

单击下面可查看定价，库存，交付和生命周期等信息

[>>TE Connectivity\(泰科\)](#)