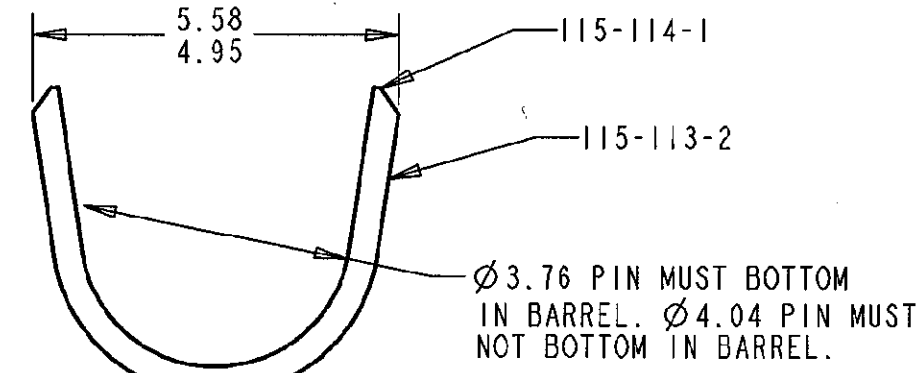
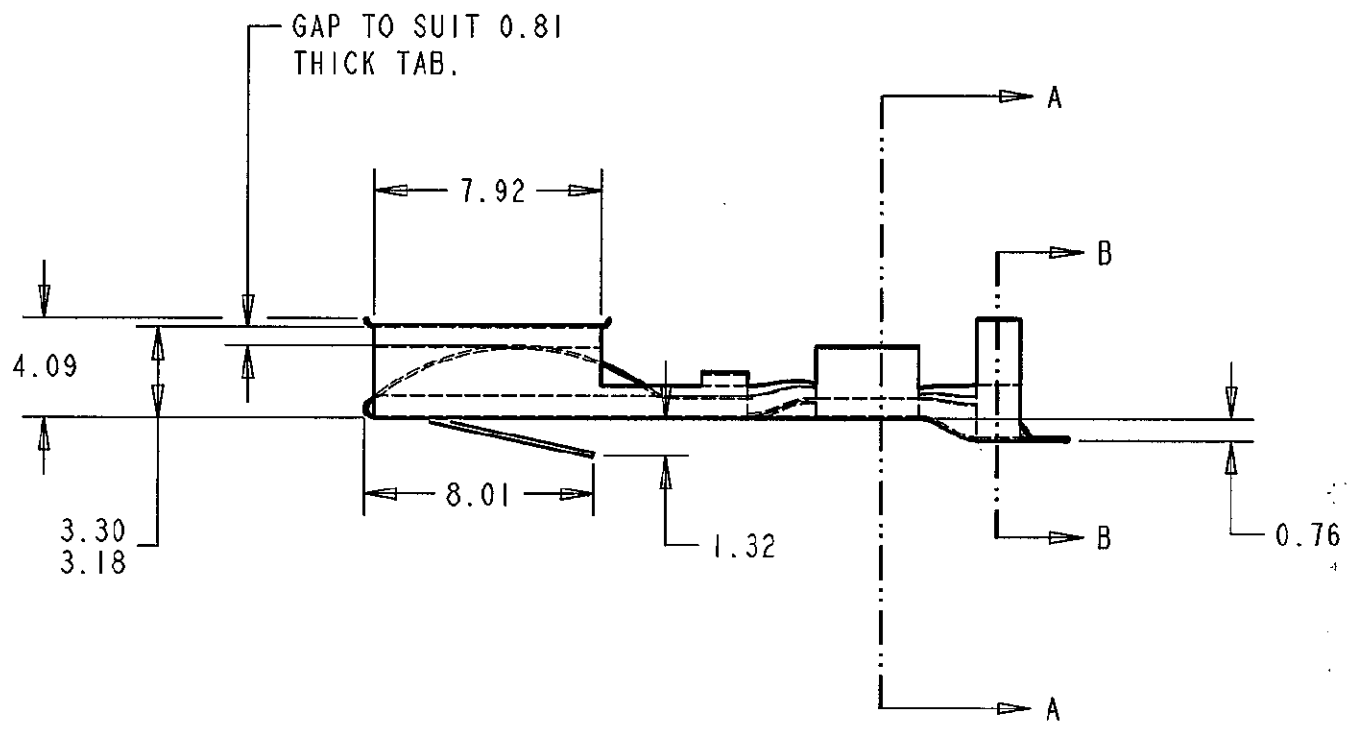
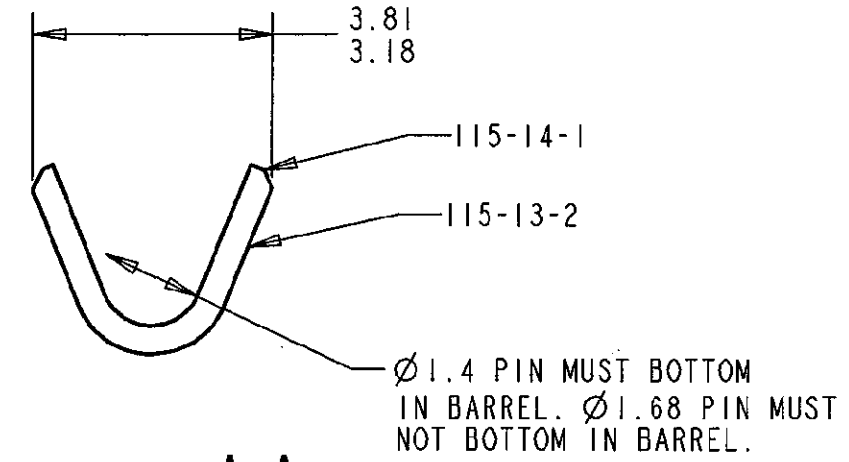
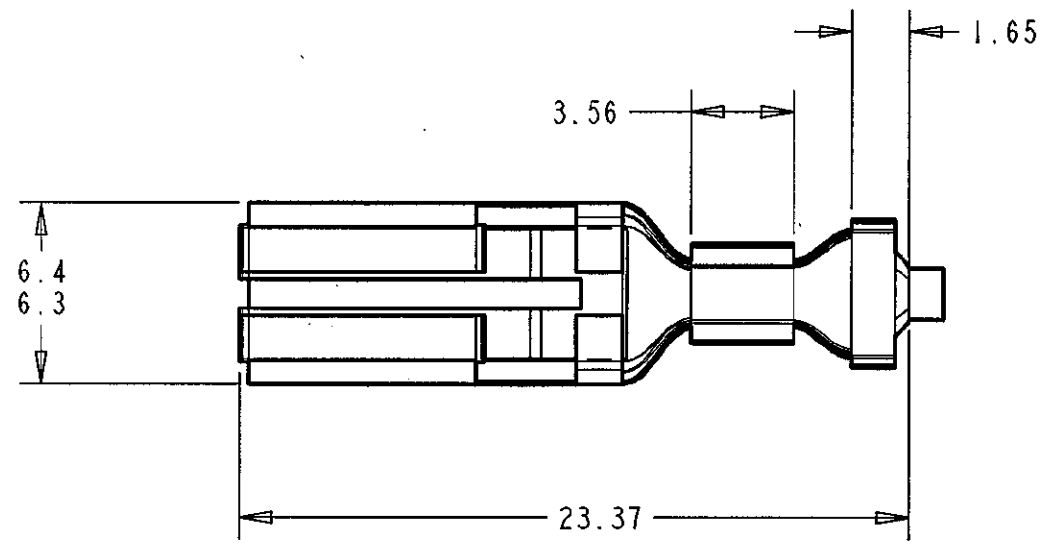


LOC		REVISIONS			
P	LTR	DESCRIPTION	DATE	DWN	APVD
D	EB00-0487-99		8-11-99	DRT	-
E	EB00-0150-00		15-03-00	DRT	



1. WIRE RANGE: -0.65-2.00 mm<sup>2</sup>.
2. INSULATION RANGE: -2.4-3.5.
3. REEL QUANTITY 2.5M.

342873-4	PRE-TIN	PHOS. BRONZE	342413-4
342873-3	NONE	PHOS. BRONZE	342413-3
342873-2	PRE-TIN	BRASS	342413-2
342873-1	NONE	BRASS	342413-1
LOOSE PIECE	FINISH	MATERIAL	PART NUMBER

THIS DRAWING IS A CONTROLLED DOCUMENT FOR AMP INCORPORATED. IT IS SUBJECT TO CHANGE AND THE CONTROLLING ENGINEERING ORGANIZATION SHOULD BE CONTACTED FOR THE LATEST REVISION.

DWN: D.R. TERRY 17-Mar-00  
 CHR: C. HALLETT 24-Mar-00  
 APVD: C.K. 27-Mar-00

**AMP** AMP of Great Britain Ltd, Stanmore, Middlesex, HA7 4RS.

RECEPTACLE

THIRD ANGLE PROJECTION

TOLERANCES UNLESS OTHERWISE SPECIFIED:  
 LINEAR: - ±0.5  
 ANGULAR: - ±1°

MATERIAL: 0.4 THK STOCK SEE TABLE  
 FINISH: SEE TABLE

PRODUCT SPEC: -  
 APPLICATION SPEC: -  
 WEIGHT: -

CUSTOMER DRAWING

SIZE: A3  
 CAGE CODE: 00779  
 DRAWING NO: ©-342413

SCALE: 4:1  
 SHEET: 1 OF 1  
 REV: E

单击下面可查看定价，库存，交付和生命周期等信息

[>>TE Connectivity\(泰科\)](#)