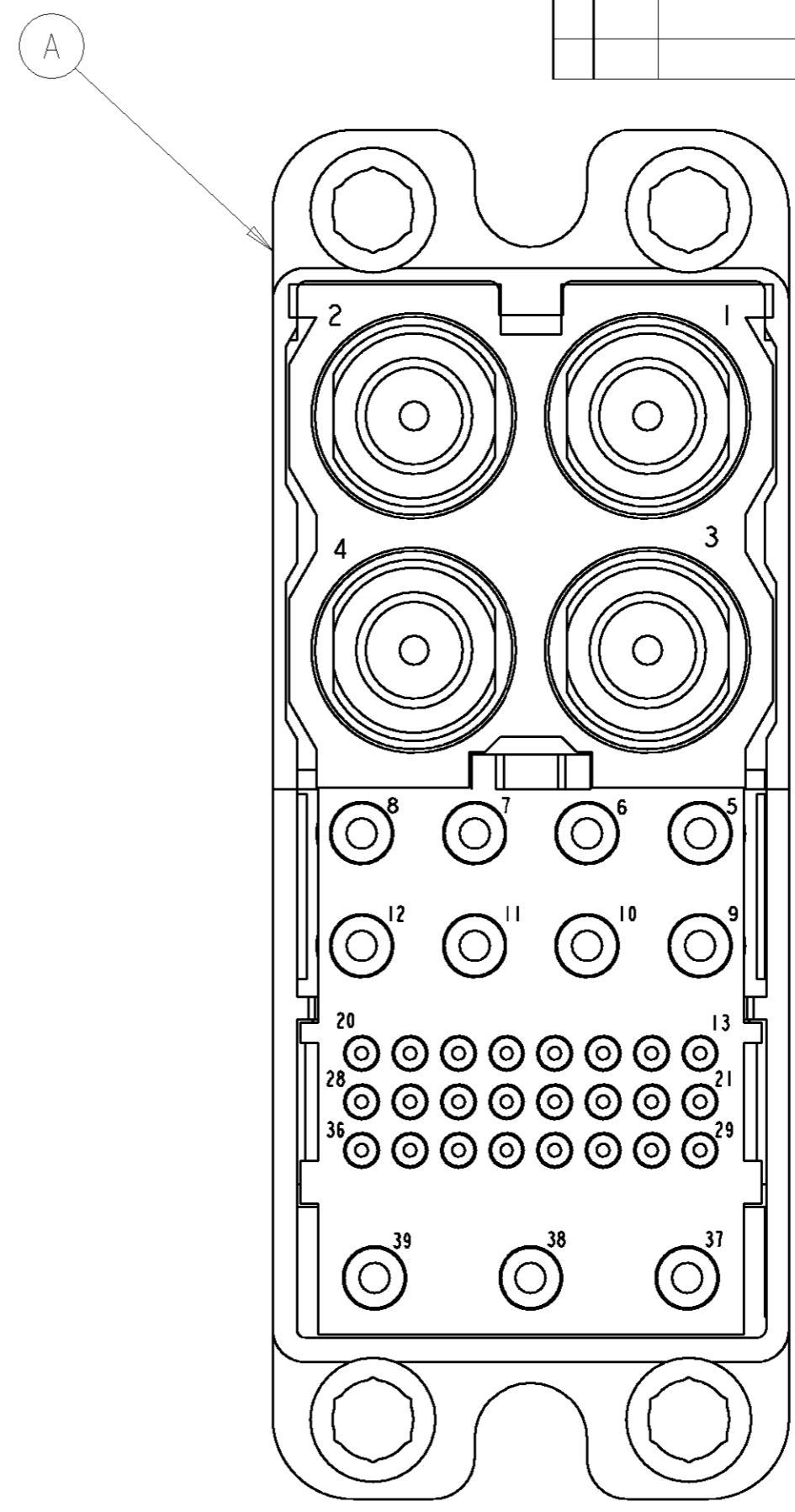
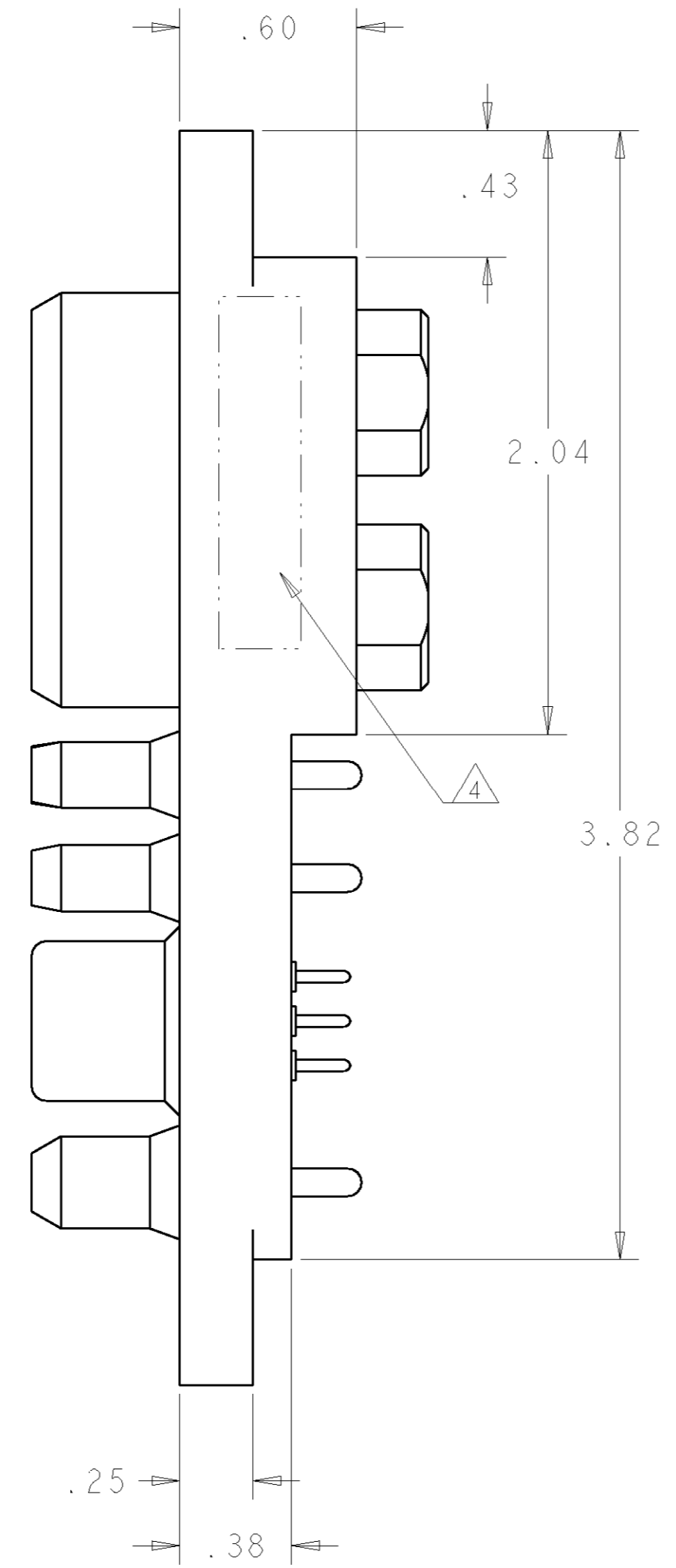
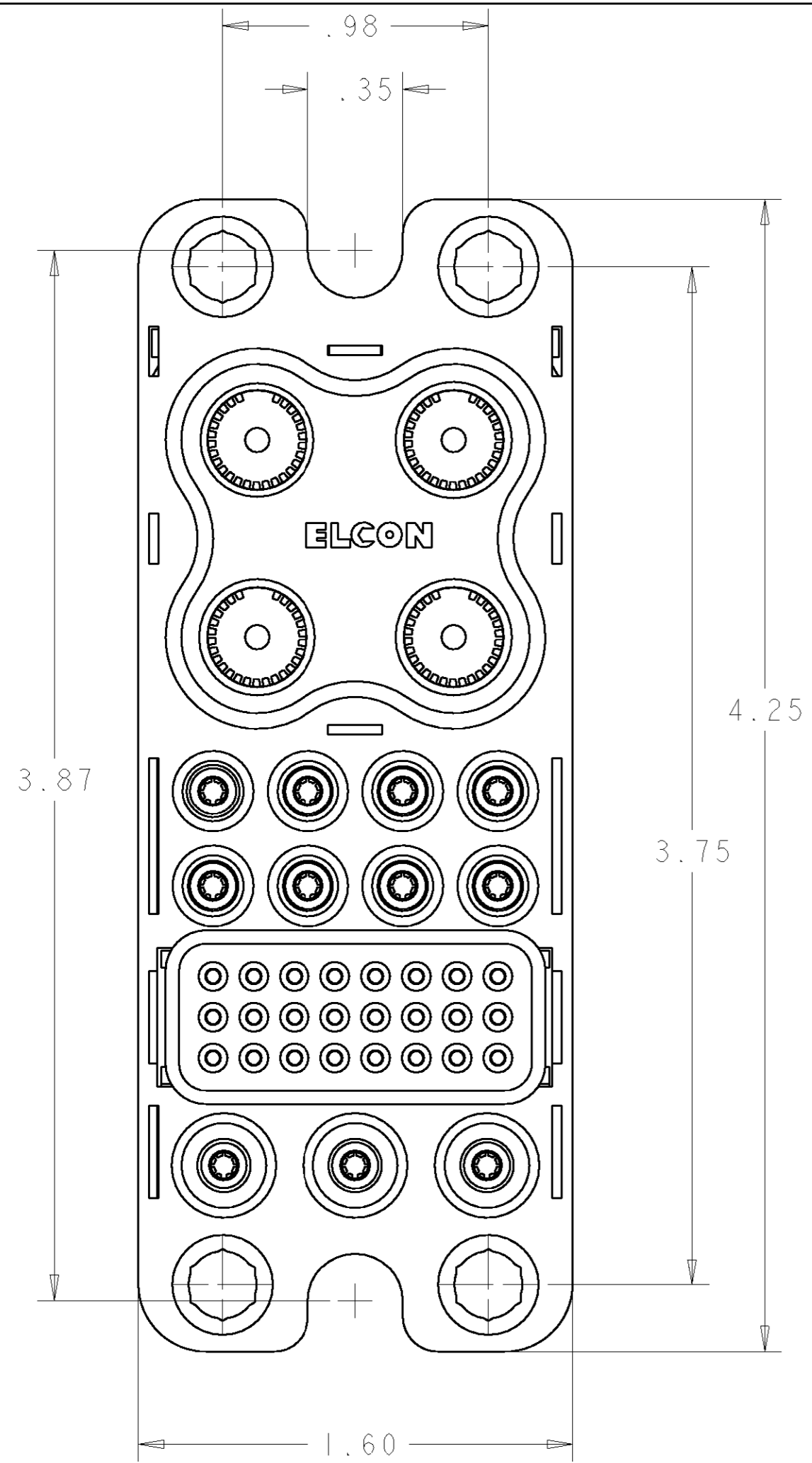


LOC	DIST	REVISIONS			
P	LTR	DESCRIPTION	DATE	DWN	APVD
GP	00	A	NEW RELEASE	12JUL2007	RG DO



- SOCKET CONTACT (B) SIZE #0
- SOCKET CONTACT (D) SIZE #12
- SOCKET CONTACT (C) SIZE #20
- SOCKET CONTACT (D) SIZE #12

⑤	11	6648374-1	CONTACT, SOCKET, #12, PCB TAIL	D
⑤	24	1648382-1	CONTACT, SOCKET, #20, PCB TAIL	C
	4	6648429-1	CONTACT, SOCKET (PROBE PROOF), #0, M6 X 1. INT. THD.	B
	1	1648578-2	CONNECTOR, SOCKET, NO GUIDE PINS	A
	-1	PART NUMBER	DESCRIPTION	ITEM

<small>THIS DRAWING IS A CONTROLLED DOCUMENT FOR TYCO ELECTRONICS CORPORATION. IT IS SUBJECT TO CHANGE AND THE CONTROLLING ENGINEERING ORGANIZATION SHOULD BE CONTACTED FOR THE LATEST REVISION.</small>		DWN R. GRZYBOWSKI 26 JUN 07 CHK D. ORRIS 26 JUN 07 APVD S. FLICKINGER 26 JUN 07	Tyco Electronics Harrisburg, PA 17105-3608
DIMENSIONS: INCHES 	TOLERANCES UNLESS OTHERWISE SPECIFIED: 0 PLC ± 1 PLC ± 2 PLC ±.02 3 PLC ±.010 4 PLC ± ANGLES ±.5 FINISH	PRODUCT SPEC APPLICATION SPEC WEIGHT	NAME SOCKET CONNECTOR ASSEMBLY SOLDER TAILS DOUBLE DRAWER SIZE CAGE CODE DRAWING NO RESTRICTED TO A200779G-1926565
MATERIAL		CUSTOMER DRAWING	SCALE 2:1 SHEET 1 OF 2 REV A

**ELCON DOUBLE DRAWER**



单击下面可查看定价，库存，交付和生命周期等信息

[>>TE Connectivity\(泰科\)](#)