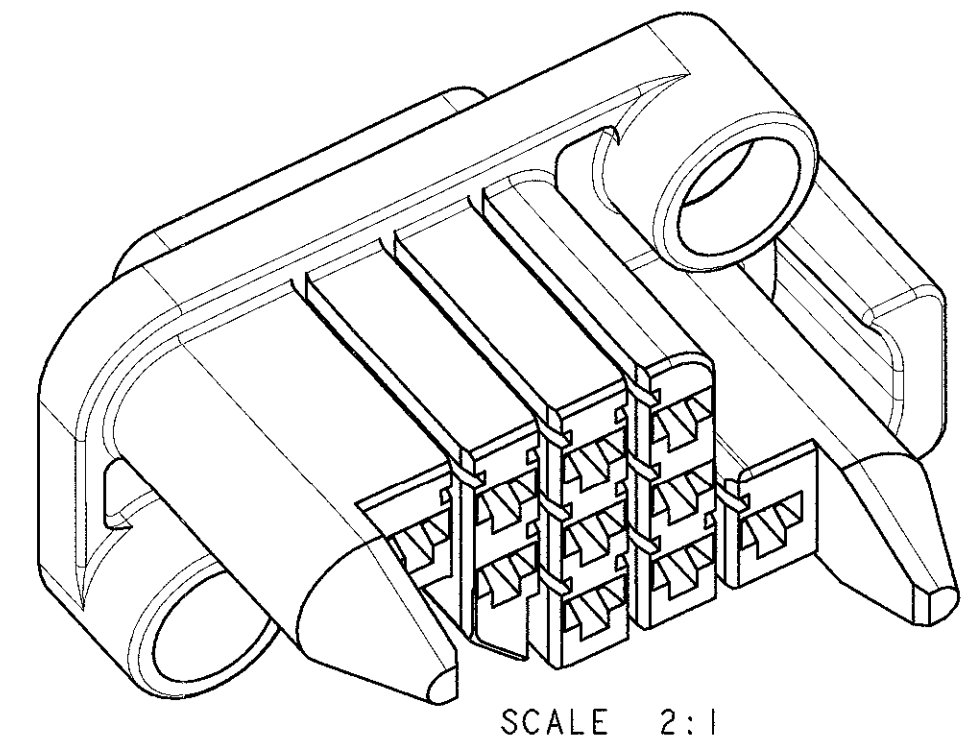
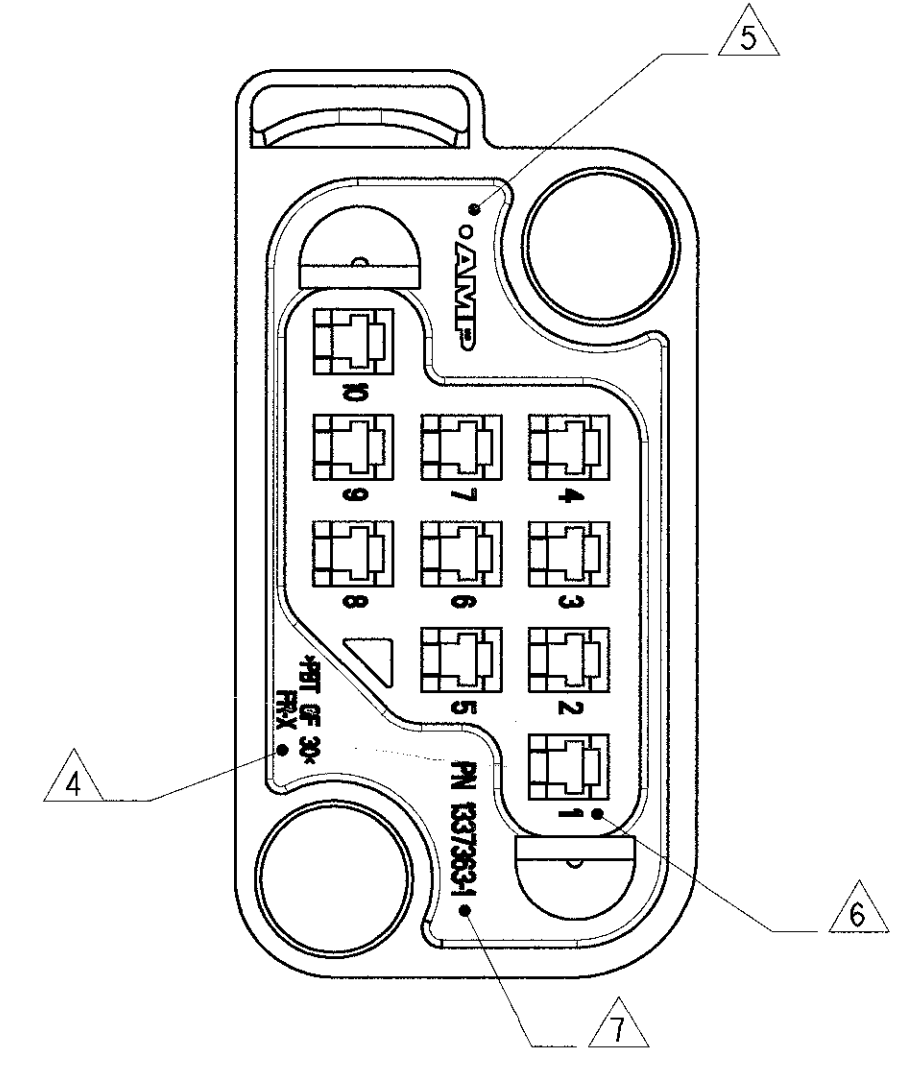
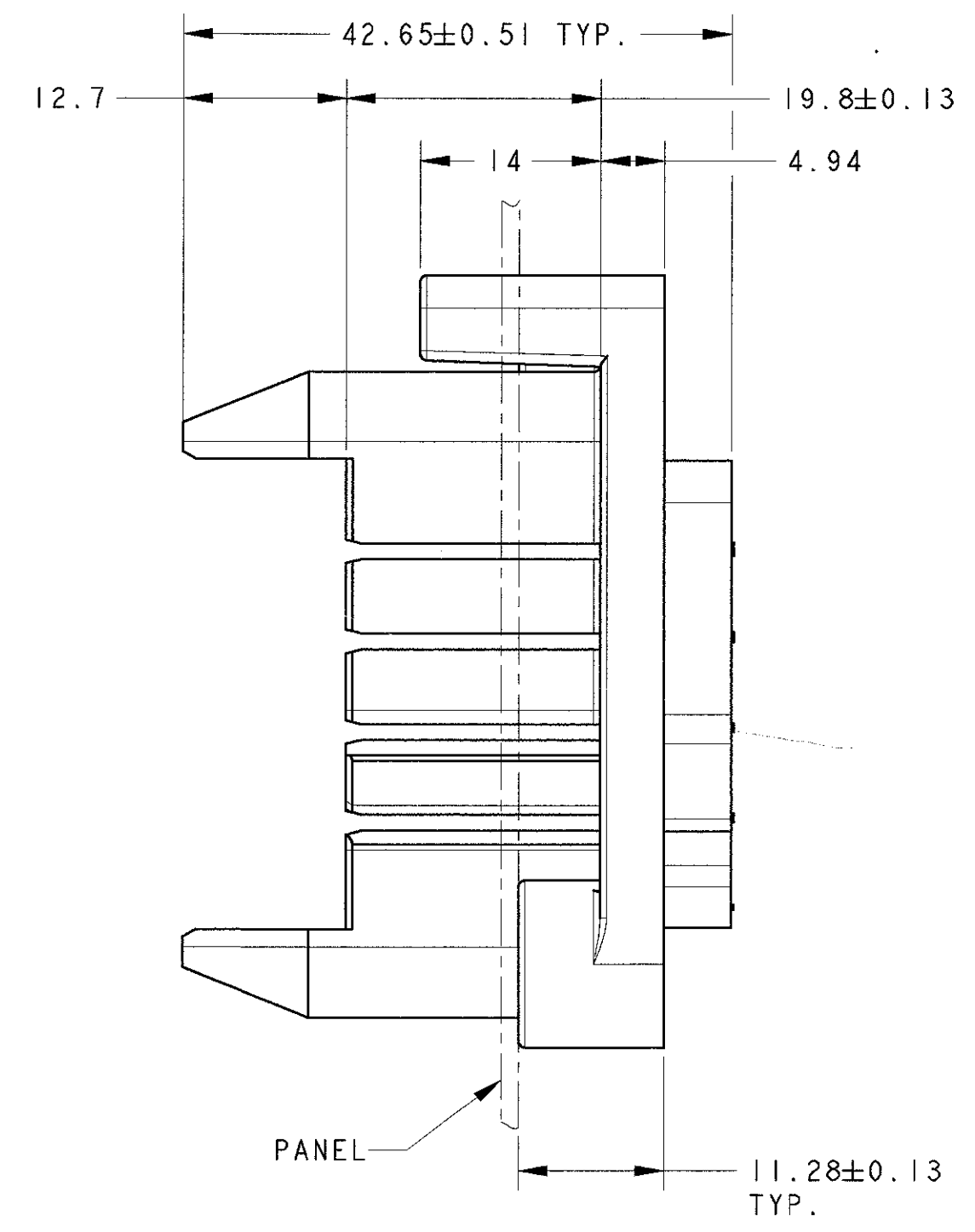
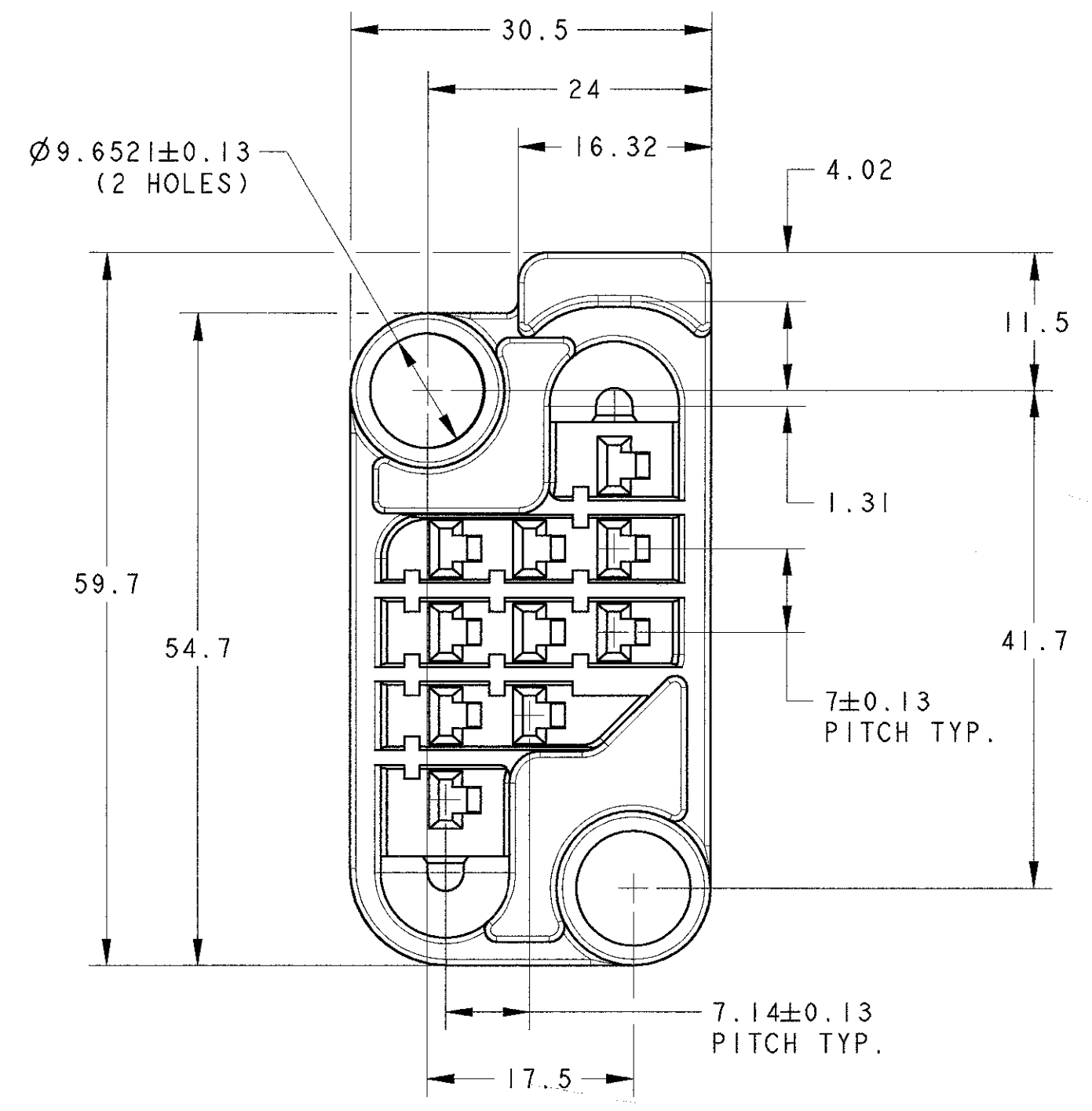


THIS DRAWING IS UNPUBLISHED.
 RELEASE FOR INFORMATION DATE: -
 Copyright - by Tyco Electronics Nederland B.V. ALL RIGHTS RESERVED.

LOC		DIST		REVISIONS			
H		-		LTR	DESCRIPTION	DATE	APVD
				--	--	--	--
				--	--	--	--
				A	EH00-1106-01	05OCT01	PB



NOTES:

- THIS RECEPTACLE HOUSING MATES WITH TAB HOUSING PART NUMBER 1337362-1.
- THIS HOUSING ACCEPTS STANDARD HYBRID MINI DRAWER CONNECTOR RECEPTACLE CONTACTS - 4 X PN 179316-2 (POWER) AND 5 X PN 179317-2 (SIGNAL) AND 1 X PN 316458-2 (EARTH) IN CAVITY 10.
- △ MATERIAL: 30% GLASS FILLED POLYESTER, VO RATED, COLOUR BLACK.
- △ RAISED MATERIAL IDENTIFIER.
- △ RAISED AMP LOGO.
- △ RAISED CIRCUIT CAVITY IDENTIFICATION NUMBERS.
- △ RAISED AMP PART NUMBER.

Item no.	Description	Material	Finish
DWN	M. HUGHES		
CHK	F.W. KING		
APVD	F.W. KING		
PRODUCT SPEC	-		
APPLICATION SPEC	-		
WEIGHT	-		
THIS DRAWING IS A CONTROLLED DOCUMENT FOR Tyco Electronics Nederland B.V. IT IS SUBJECT TO CHANGE AND THE CONTROLLING ENGINEERING ORGANIZATION SHOULD BE CONTACTED FOR THE LATEST REVISION.		AMP Tyco Electronics Nederland B.V. 's-HERTOGENBOSCH, THE NETHERLANDS	
DIMENSIONS: mm 		TOLERANCES UNLESS OTHERWISE SPECIFIED: 0 PLC ± . 1 PLC ± . 2 PLC ± . 3 PLC ± . 4 PLC ± . ANGLES ± .2° FINISH	
MATERIAL		SIZE	CAGE CODE
		A2	00779
		DRAWING NO	
		C-1337363	
CUSTOMER DRAWING			
SCALE		SHEET 1 OF 1 REV A	
2:1			

单击下面可查看定价，库存，交付和生命周期等信息

[>>TE Connectivity\(泰科\)](#)