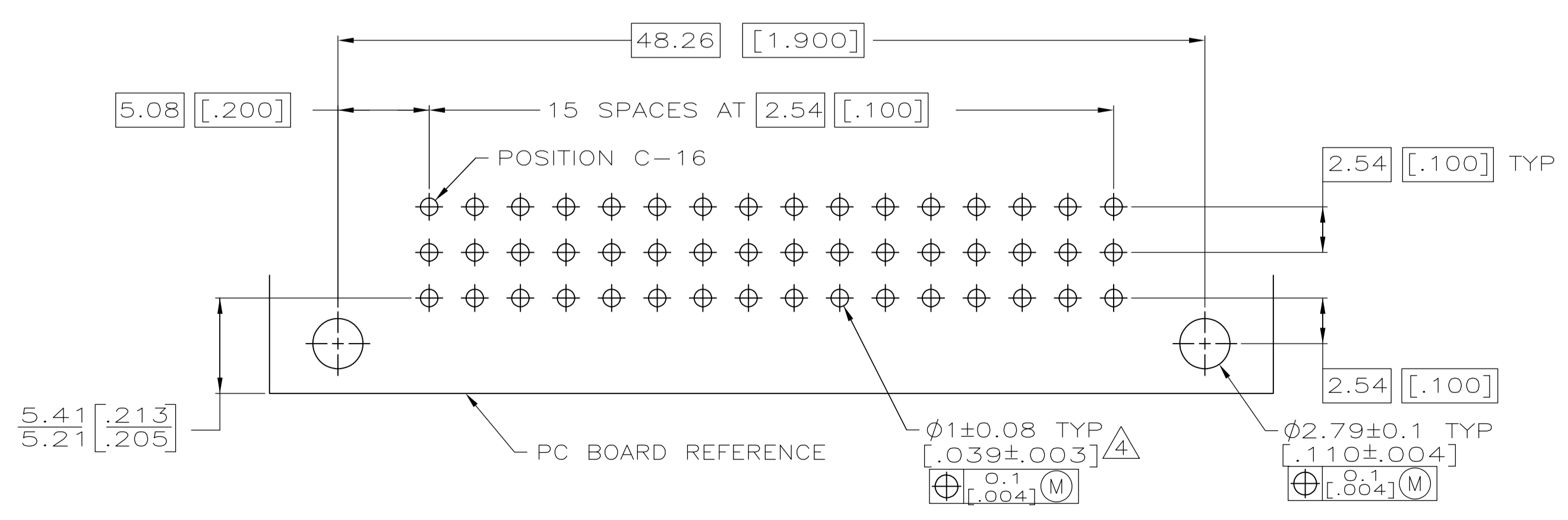
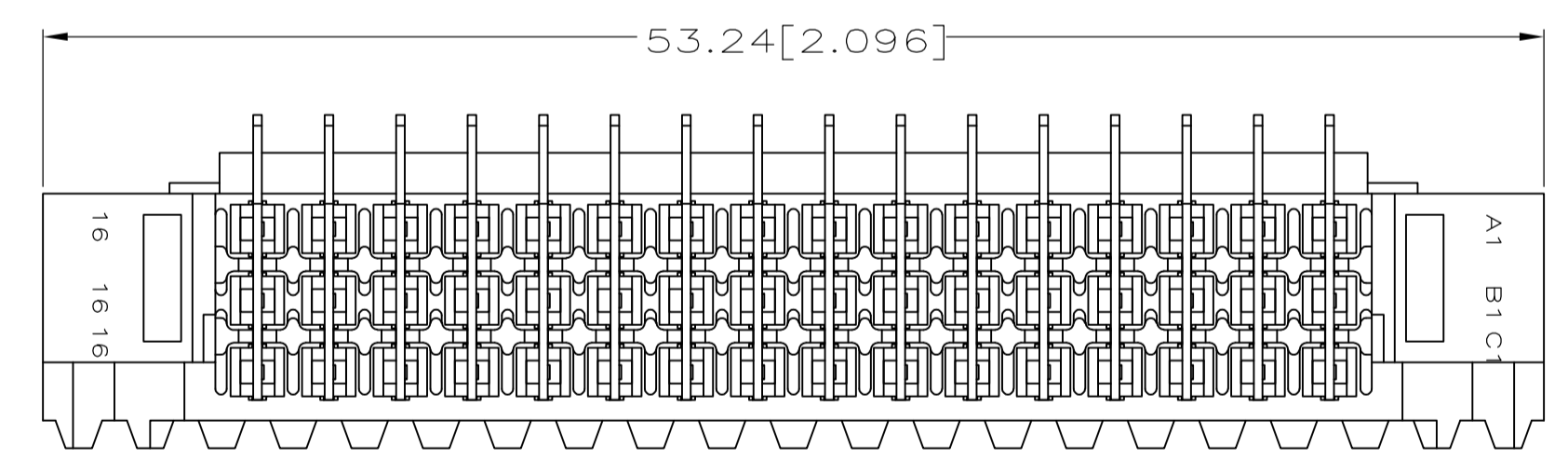
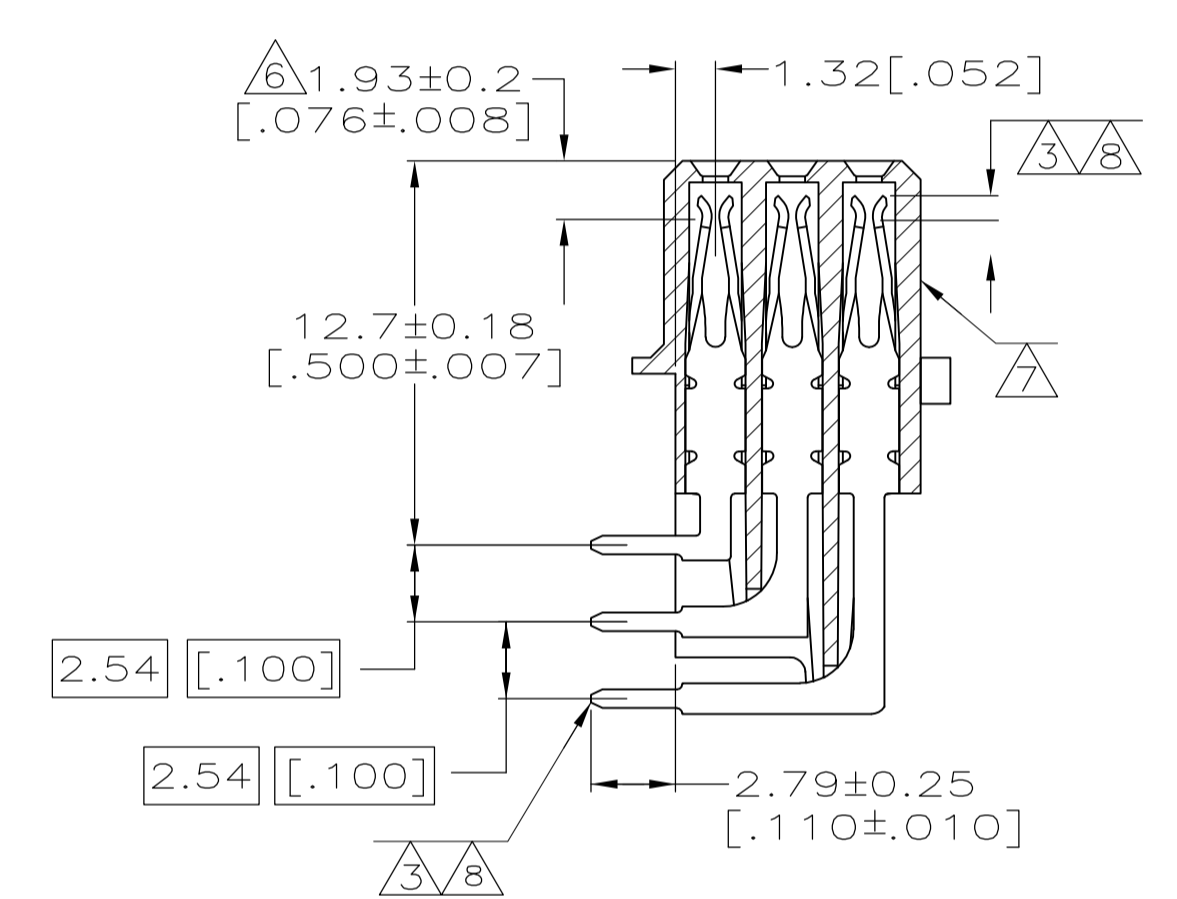
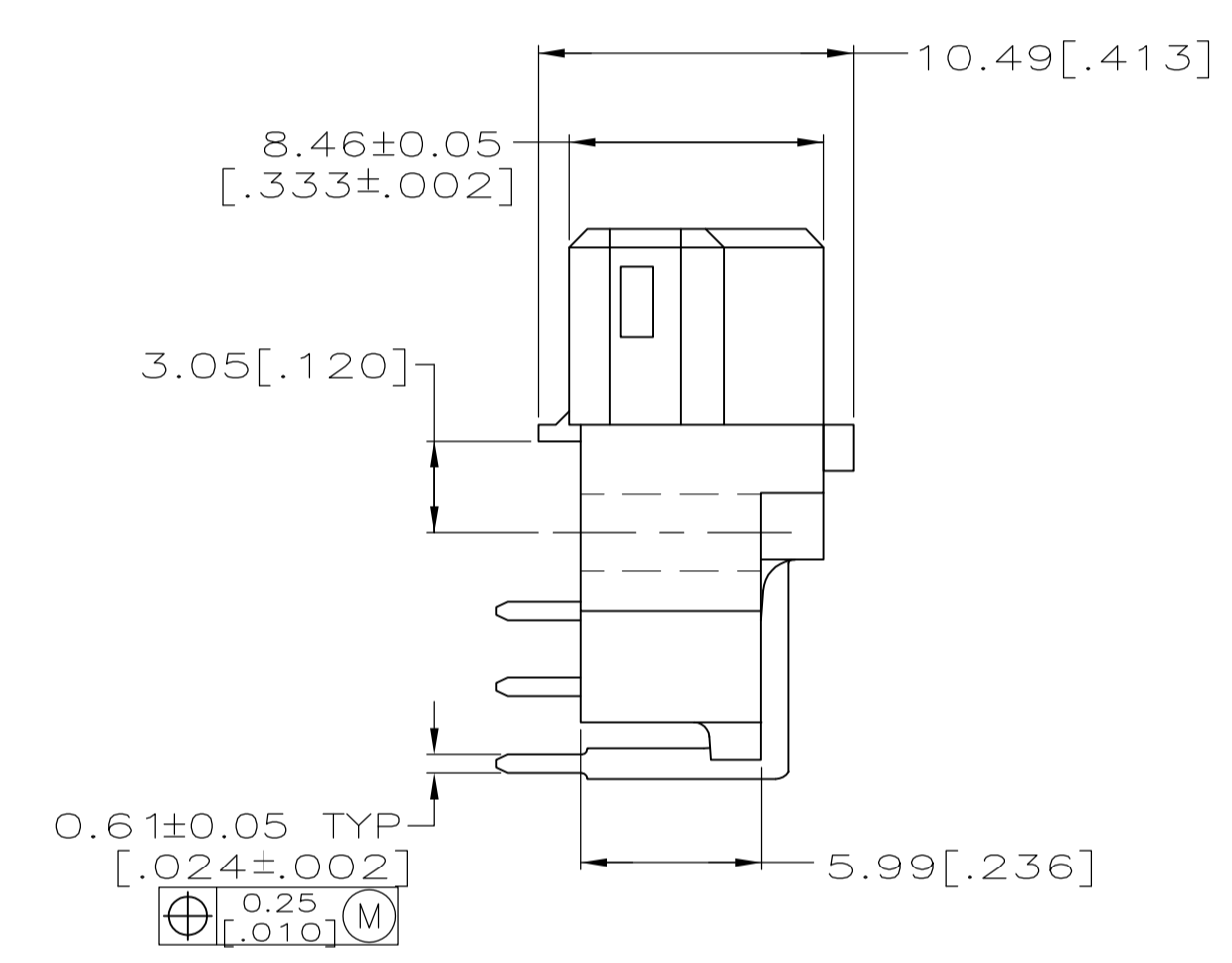
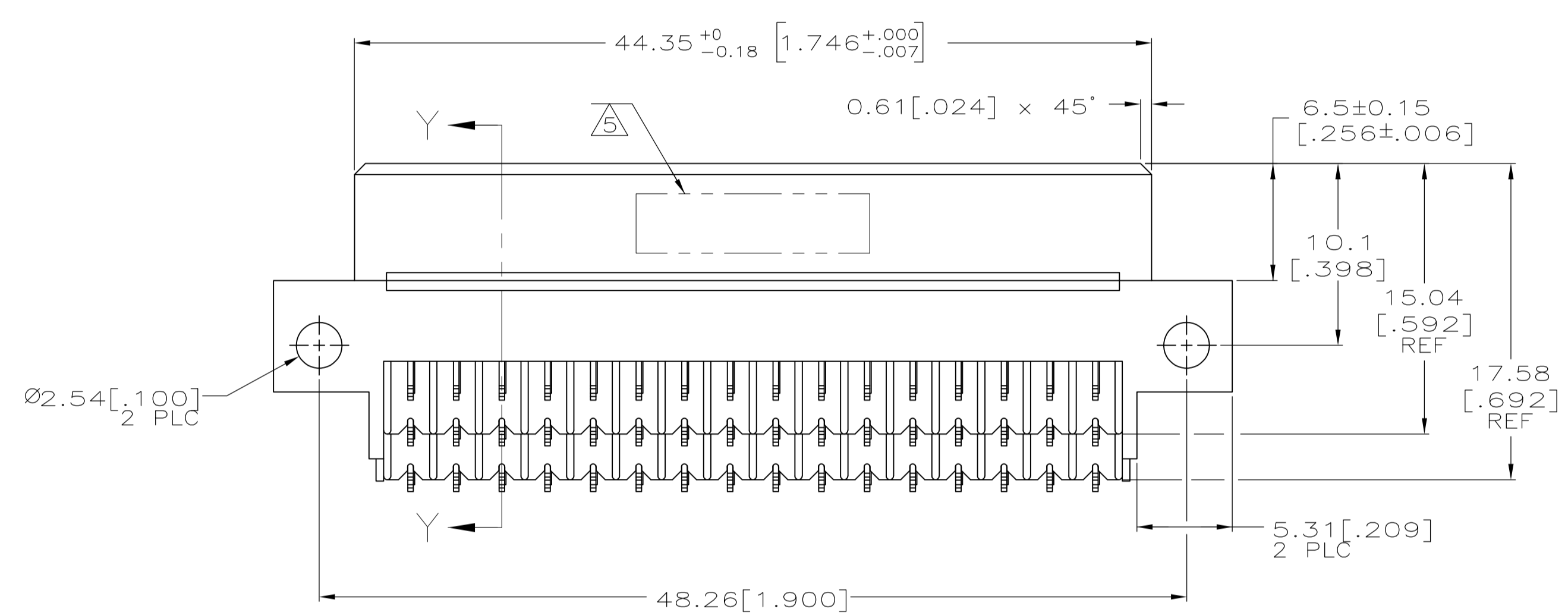


- 1 HOUSING MATERIAL: GLASS-FILLED POLYMER.
- 2 CONTACT MATERIAL: COPPER ALLOY.
- 3 CONTACT FINISH: DIN 41612 CLASS 2 IN CONTACT AREA. TIN PLATE ON POSTS.
- 4 RECOMMENDED HOLE SIZE FOR MANUAL APPLICATION OF CONNECTOR ONTO PC BOARD.
- 5 PART NUMBER, DATE CODE IDENTIFICATION, CSA LOGO, THIS APPROXIMATE AREA.
- 6 CONTACT POINT.
- 7 MARKING ON THIS SIDE.
- 8 CONTACT FINISH: DIN 41612 CLASS 3 IN CONTACT AREA. TIN PLATE ON POSTS.
- 9 CONTACT FINISH: .000030 MIN GOLD IN CONTACT AREA. TIN PLATE ON POSTS.



NOTES	POSITIONS LOADED	C	B	A	NO. OF LOADED POSITION	ASSY PART NUMBER
1	1 THRU 16	X	X	X	48	5650868-9
2	1 THRU 16	X	X	X	48	5650868-6
3	1 THRU 16	X	X	X	48	5650868-5
4	1 THRU 16	X	X	X	48	5650868-4

THIS DRAWING IS A CONTROLLED DOCUMENT.

DIMENSIONS: mm [INCHES]

TOLERANCES UNLESS OTHERWISE SPECIFIED:

0 PLC	± -
1 PLC	± -
2 PLC	± -
3 PLC	± 0.1 [.005]
4 PLC	± -
ANGLES	± -

MATERIAL: **1 2**

FINISH: **3 8 9**

APPROVED: A. SHARPE

DATE: 03JUN05

PRODUCT SPEC: ASSEMBLY, RECEPTACLE, EUROCARD, TYPE 1/2R, LEAD-FREE, 48 POSITION, 2.79[.110] SOLDER POSTS

SIZE: A1

SCALE: 4:1

SHEET: 1 OF 1

REV: R

单击下面可查看定价，库存，交付和生命周期等信息

[>>TE Connectivity\(泰科\)](#)