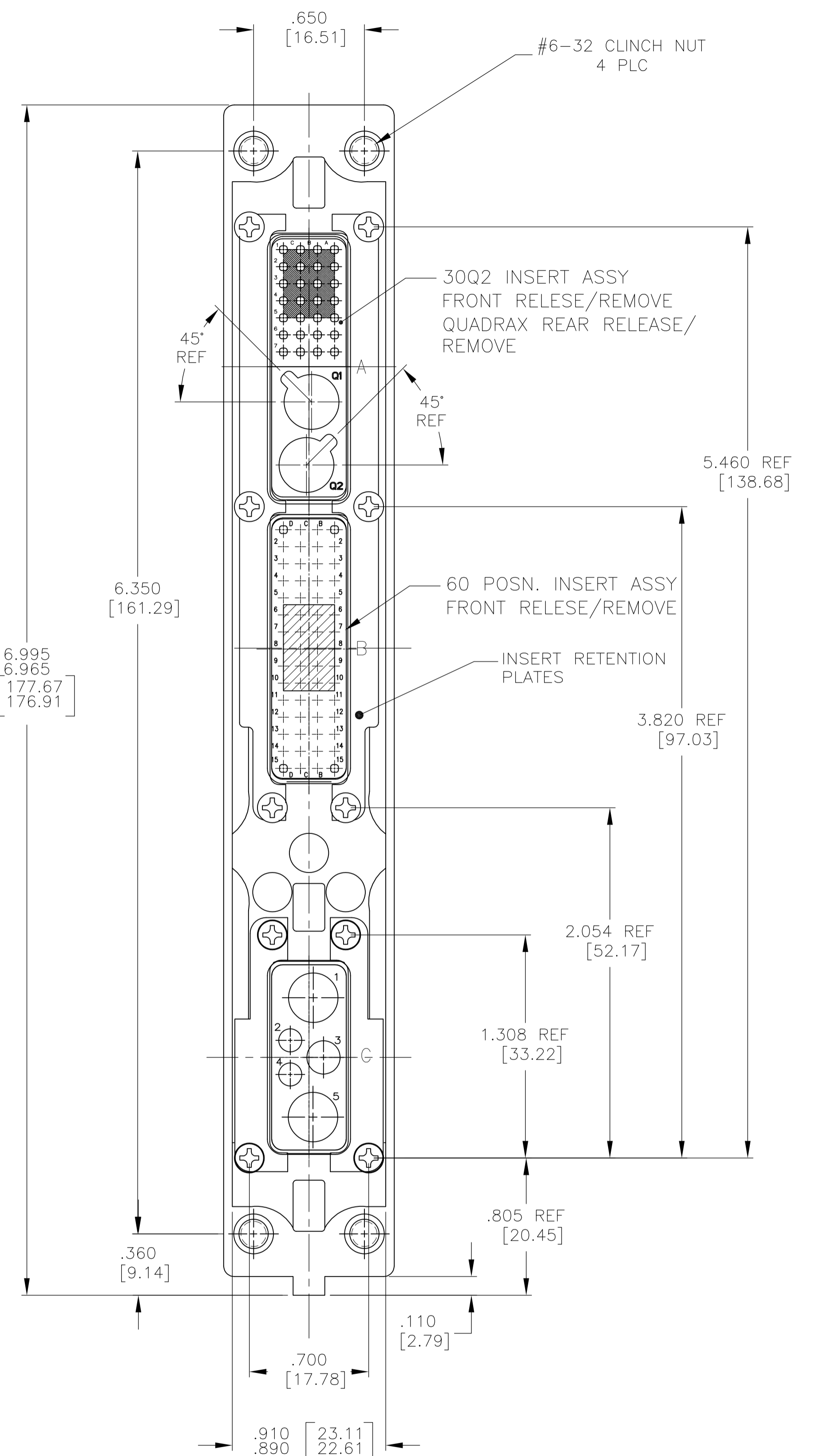
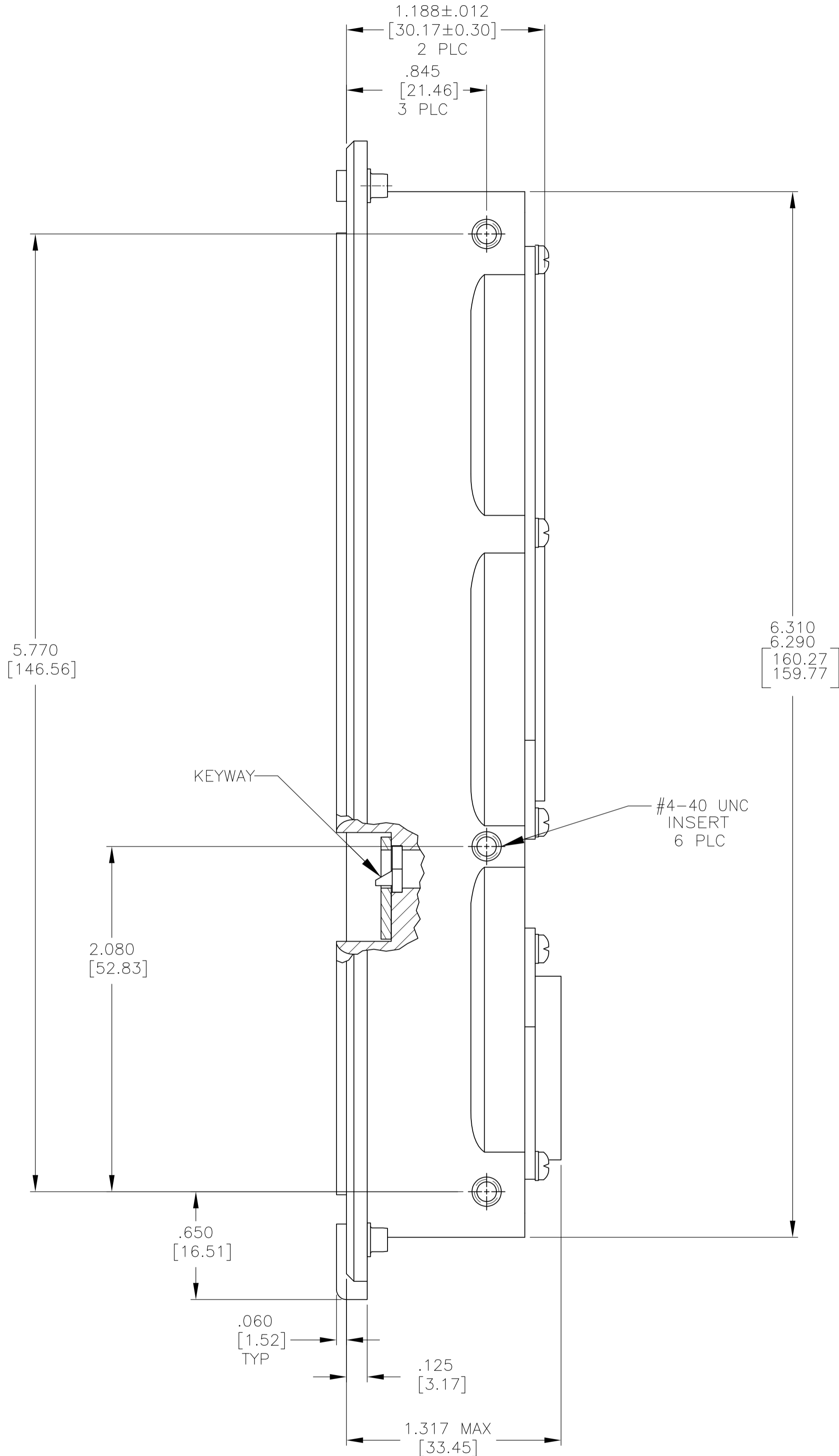
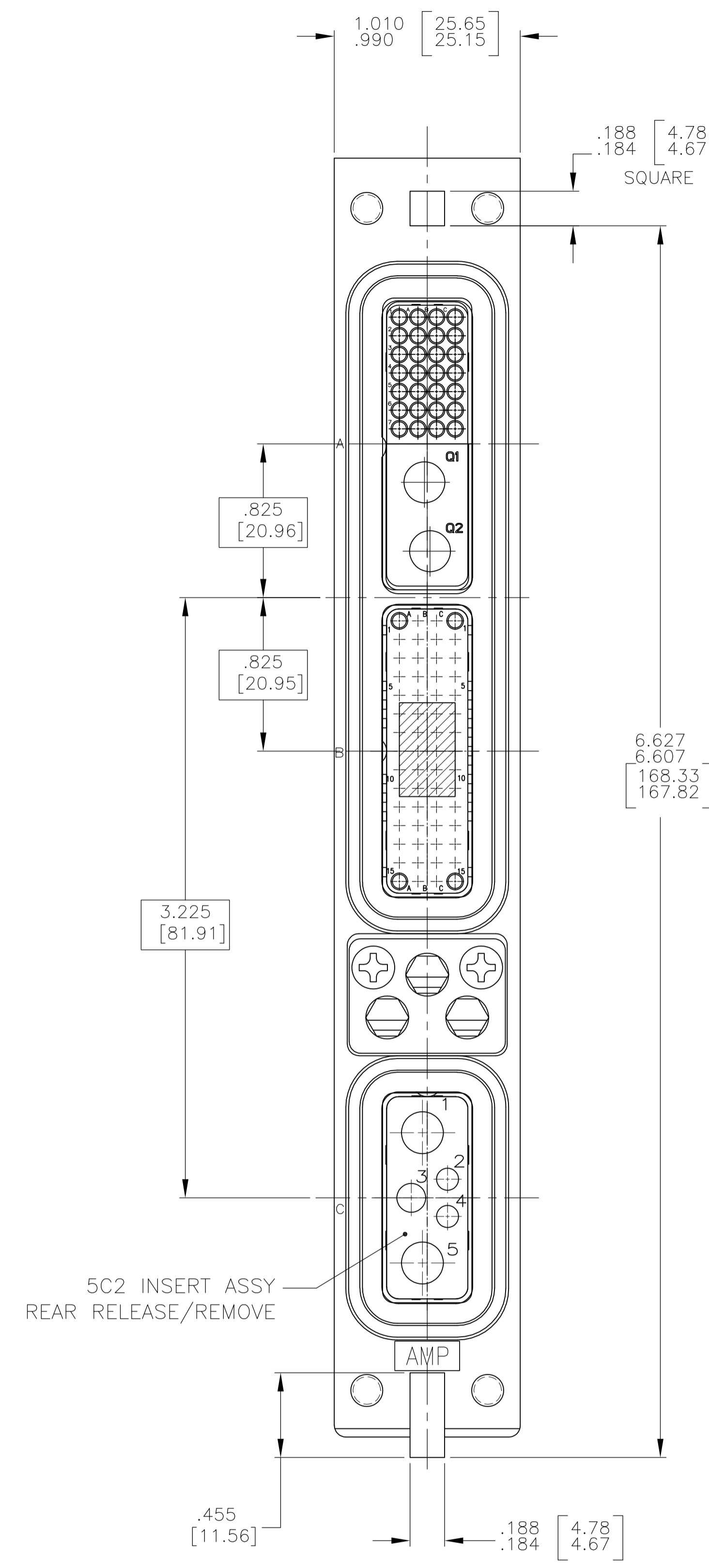


LOC		DIST		REVISIONS			
P	LTR	DESCRIPTION	DATE	DNW	APVD		
B		REVISED 30T2 TO 30Q2	2-16-09	CT	KT		



- CONNECTOR DIMENSIONS ARE PER ARINC 600 SPECIFICATION
- CONTACTS ARE NOT INCLUDED WITH THIS CONNECTOR.
- KEYING SHOWN IN POSITION "01" FOR REFERENCE ONLY. SEE TABLE FOR KEYING POSITION. FOR POSITION "00" KEYING SHIPPED UNASSEMBLED.

COMPONENT	MATERIAL	FINISH
SHELL	DIE CAST ALUMINUM PER ASTM-B-85	ELECTROLESS NICKEL PER MIL-C-26074 CLASS 4, GRADE B
RETENTION PLATES	ALUMINUM ALLOY PER ASTM-B-209	ELECTROLESS NICKEL PER MIL-C-26074 CLASS 4, GRADE B
SCREWS AND LOCKWASHERS	STEEL OR STAINLESS STEEL	CHROMATE OVER ZINC OR PASSIVATED
POLARIZING KEYS	ZINC ALLOY PER ASTM-B-86	-
POLARIZING KEY RETAINING PLATE	ALUMINUM ALLOY PER ASTM-B-209	BLUE ANODIZED PER MIL-A-8625
INSERTS	THERMOSET	-
QUADRAX INSERT HALF	ALUMINUM ALLOY	ELECTROLESS NICKEL

THIS DRAWING IS A CONTROLLED DOCUMENT.

DIMENSIONS: INCHES (mm)	TOLERANCES UNLESS OTHERWISE SPECIFIED:
0 PLC	± .005 (0.13)
1 PLC	± .005 (0.13)
2 PLC	± .005 (0.13)
3 PLC	± .005 (0.13)
4 PLC	± .005 (0.13)
ANGLES	± .005 (0.13)

MATERIAL SEE TABLE FINISH SEE TABLE

"00"	2101141-1
KEYING POSITION	PART NUMBER
THIS DRAWING IS A CONTROLLED DOCUMENT. DIMENSIONS: INCHES (mm) TOLERANCES UNLESS OTHERWISE SPECIFIED: 0 PLC ± .005 (0.13) 1 PLC ± .005 (0.13) 2 PLC ± .005 (0.13) 3 PLC ± .005 (0.13) 4 PLC ± .005 (0.13) ANGLES ± .005 (0.13)	
Tyco Electronics Corporation Harrisburg, Pa 17105-3608 RCPT ASSY, SIZE 1, ARINC 600 (30Q2/60/5C2)	
SIZE: A1	CAGE CODE: 00779
DRAWING NO: 2101141	RESTRICTED TO: -
CUSTOMER DRAWING	SCALE: 2:1 SHEET: 1 OF 1 REV: B

单击下面可查看定价，库存，交付和生命周期等信息

[>>TE Connectivity\(泰科\)](#)