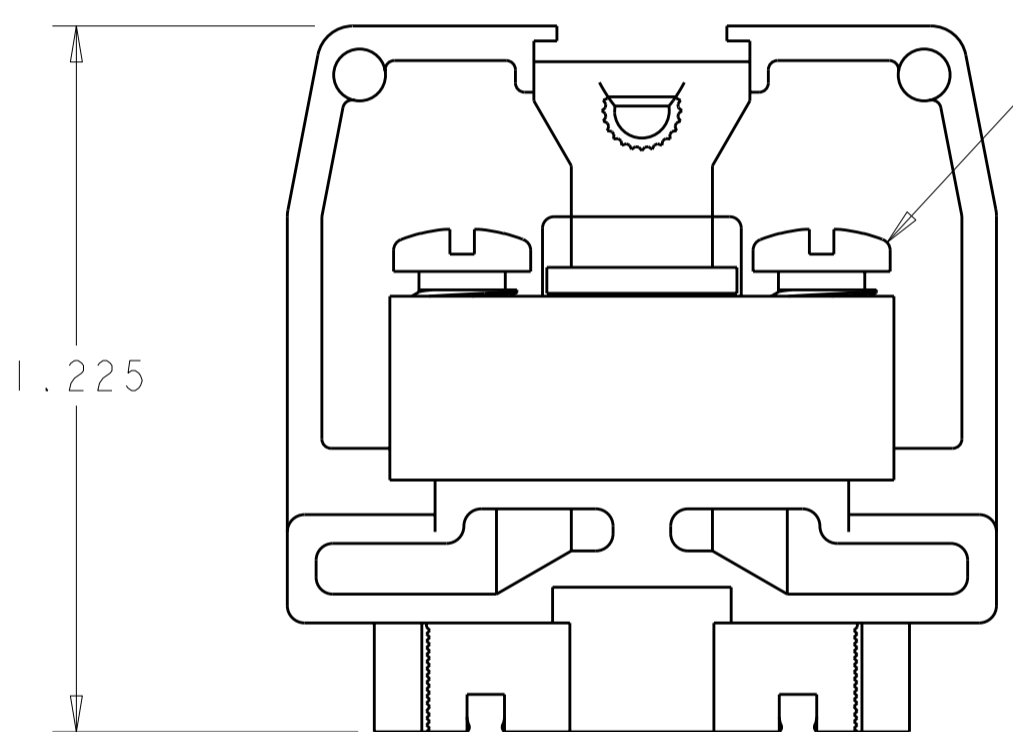
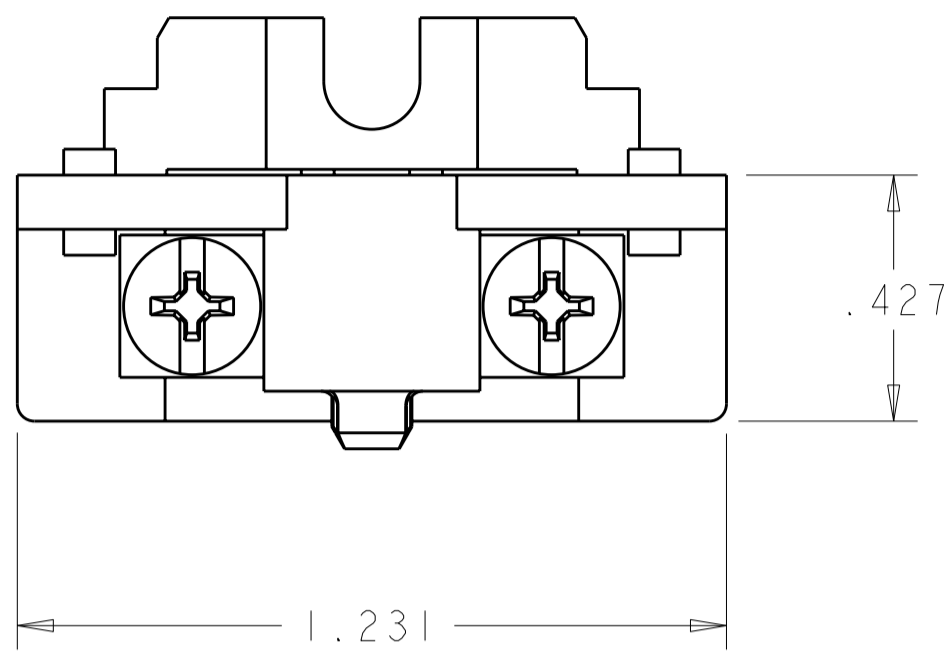


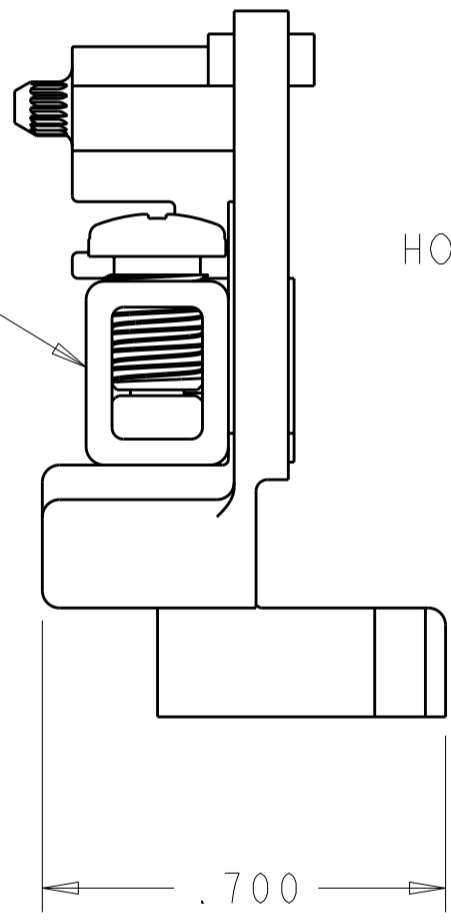
THIS DRAWING IS UNPUBLISHED. RELEASED FOR PUBLICATION 20  
 © COPYRIGHT 20 BY - ALL RIGHTS RESERVED.

LOC	DIST	REVISIONS			
P	LTR	DESCRIPTION	DATE	DWN	APVD
FT	0				
		DI	REVISED PER ECO-11-005027	18MAR2011	RK HMR

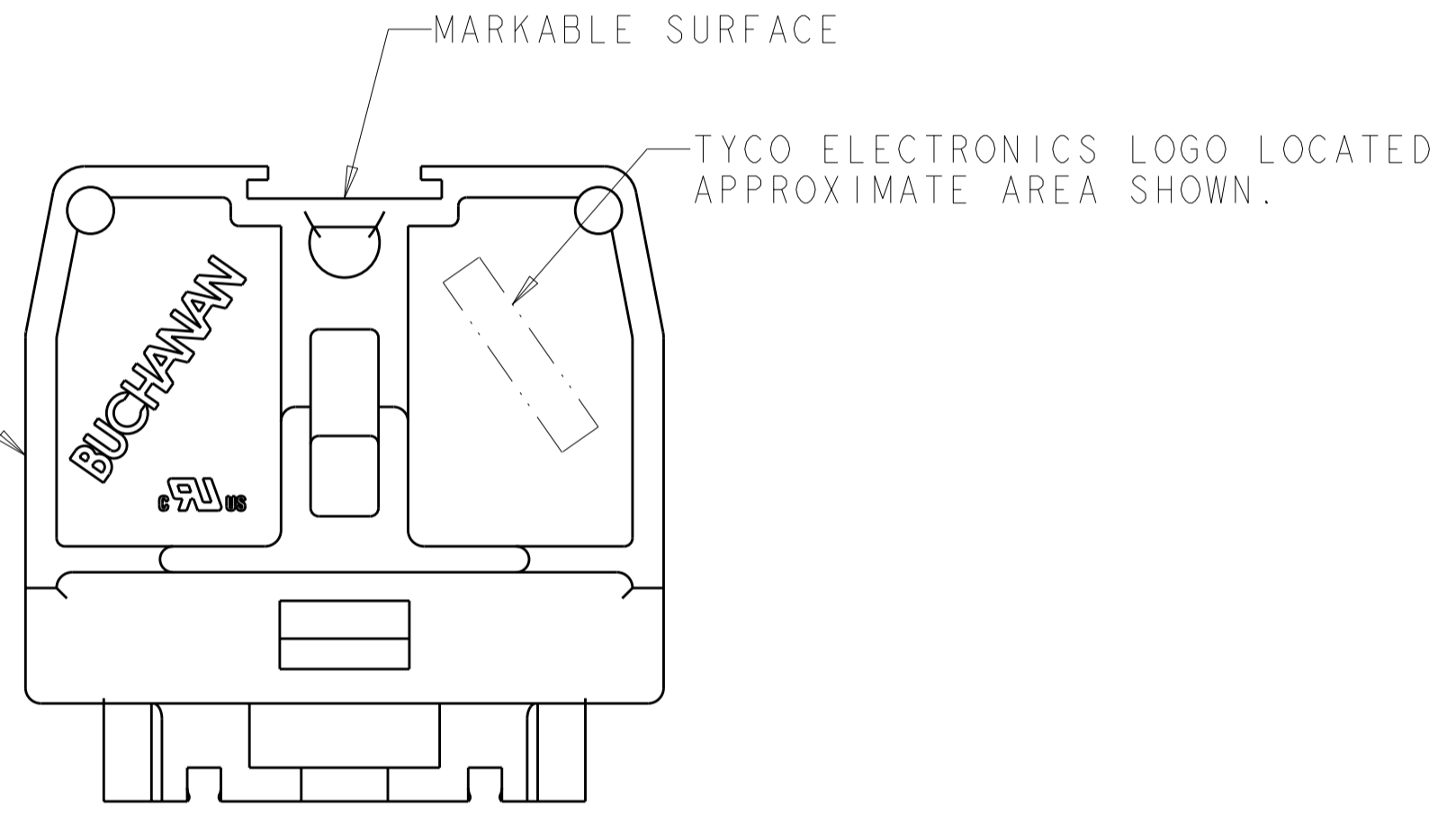


10-32 SCREW ASSY  
QTY: 2

TUBULAR CONTACT



HOUSING



1. PHYSICAL PROPERTIES (STANDARD)  
 HOUSING: POLYESTER, UL 94V-0 RATED, COLOR: GRAY.  
 TUBULAR CONTACT: COPPER ALLOY, ZINC PLATED.  
 SCREW ASSY - SCREW: COPPER ALLOY, ZINC PLATED CLEAR CHROMATE.  
 CUP CLAMP: COPPER ALLOY, UNPLATED.

2. PHYSICAL PROPERTIES (DURAMAX)  
 HOUSING: POLYESTER, UL 94V-0 RATED, COLOR: GRAY.  
 TUBULAR CONTACT: COPPER ALLOY, NICKEL PLATED.  
 SCREW ASSY - SCREW: COPPER ALLOY, NICKEL PLATED.  
 CUP CLAMP: COPPER ALLOY, NICKEL PLATED.

3. MECHANICAL  
 PITCH: .375  
 MOUNTING: DIRECT MOUNT OR MINIATURE CHANNEL.  
 OPERATING TEMPERATURE: 150°C MAX.  
 TORQUE: RECOMMENDED TIGHTENING TORQUE IS 8 IN-LBS.

4. ELECTRICAL  
 MAXIMUM CURRENT: 30A  
 OPERATING VOLTAGE: 600 V  
 WIRE RANGE: 10-22 AWG.

2	1546234-2
1	1546234-1
MATERIAL / FINISH	PART NUMBER

THIS DRAWING IS A CONTROLLED DOCUMENT.		DWN S. WELDON 15JAN2002	TE Connectivity	
DIMENSIONS: INCHES		CHK S. YODER 15JAN2002		
TOLERANCES UNLESS OTHERWISE SPECIFIED:		APVD S. YODER 15JAN2002	NAME ASSEMBLY, TERMINAL BLOCK, NEMA, FLAT BASE, MEDIUM DUTY, TUBULAR CLAMP	
0 PLC ±		PRODUCT SPEC	SIZE CAGE CODE DRAWING NO RESTRICTED TO	
1 PLC ±		APPLICATION SPEC	A200779 C-1546234	
2 PLC ±		WEIGHT	SCALE 3:1 SHEET 1 OF 1 REV DI	
3 PLC ±.010				
4 PLC ±				
ANGLES ±				
FINISH				
SEE TABLE		CUSTOMER DRAWING		

单击下面可查看定价，库存，交付和生命周期等信息

[>>TE Connectivity\(泰科\)](#)