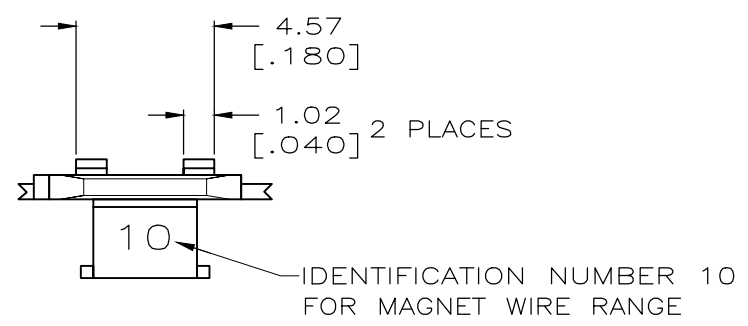
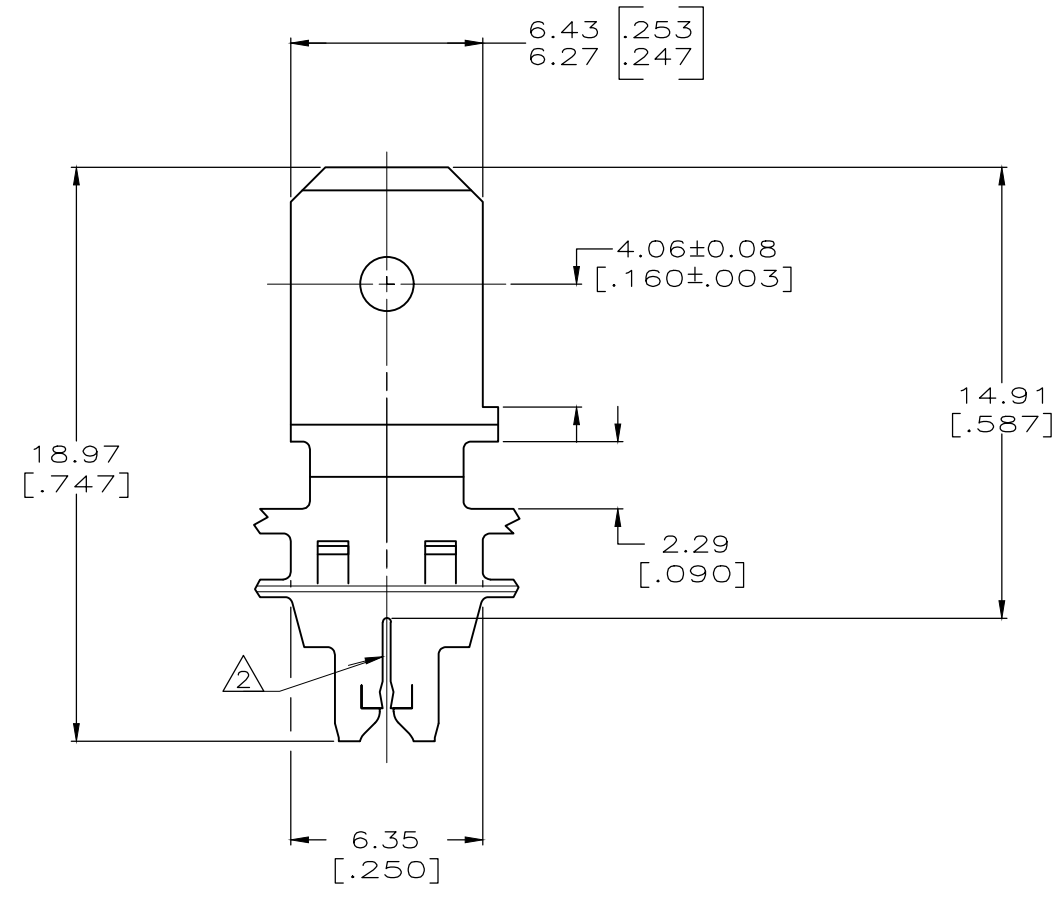
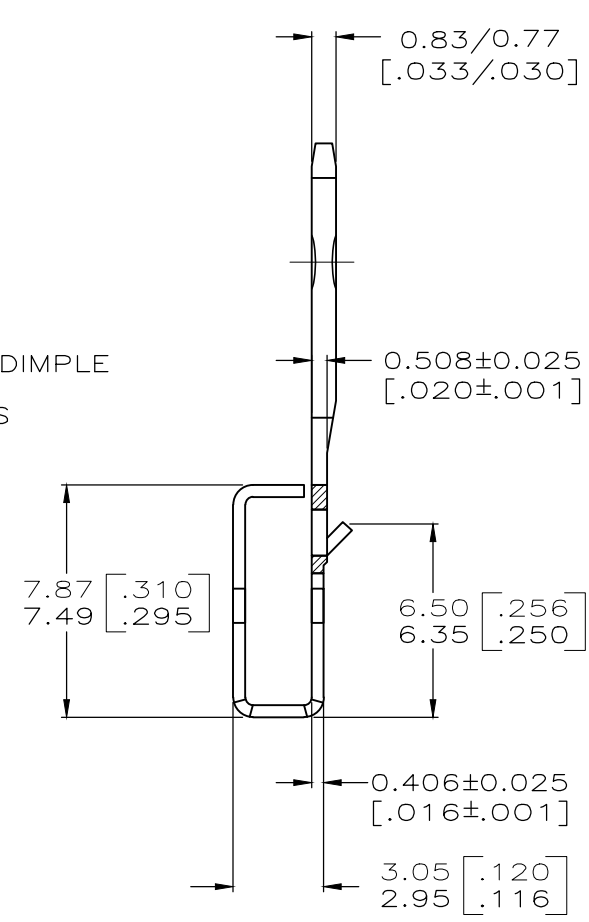
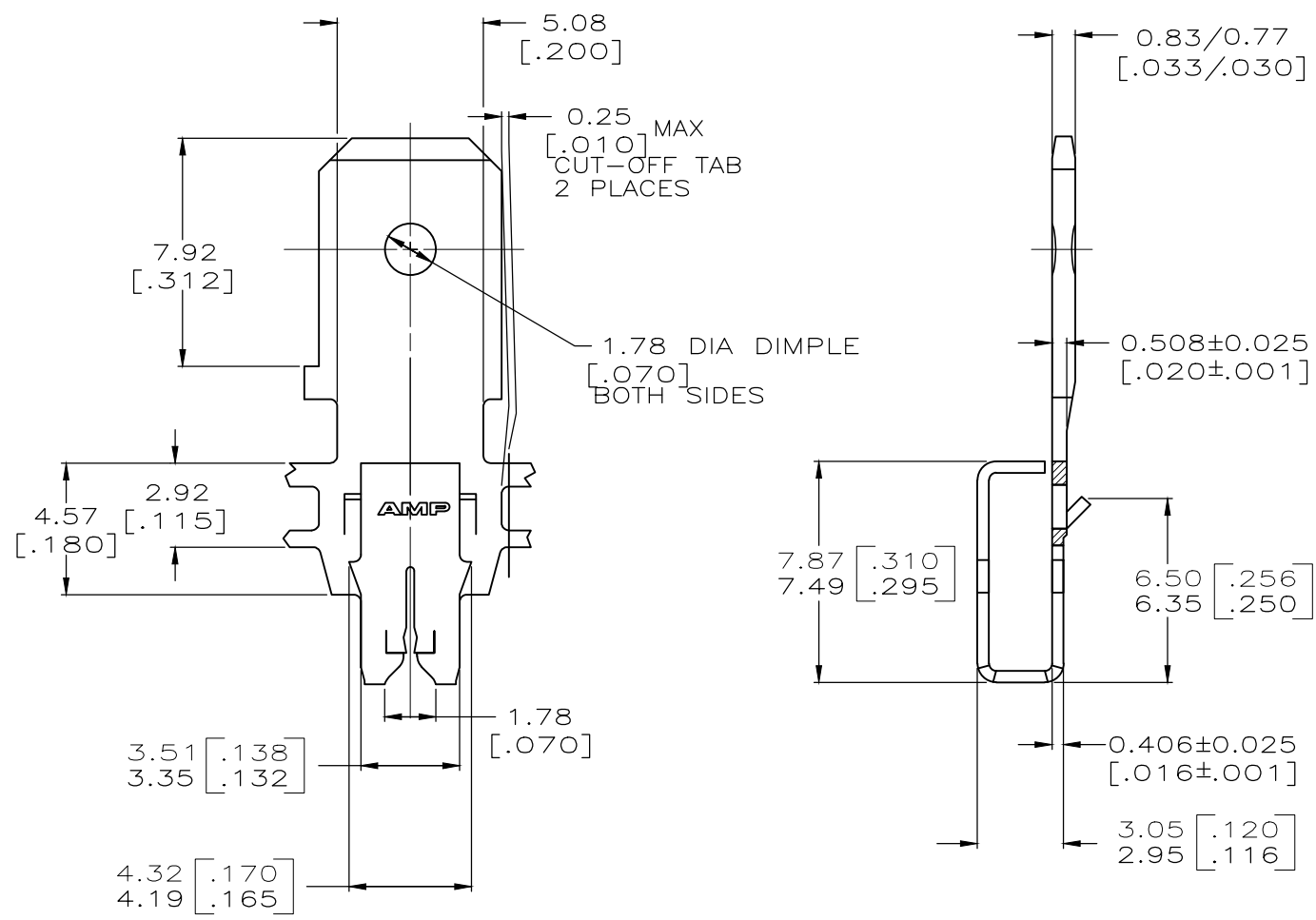


THIS DRAWING IS UNPUBLISHED. RELEASED FOR PUBLICATION
 © COPYRIGHT - By - ALL RIGHTS RESERVED.

LOC	DIST	REVISIONS			
P	LTR	DESCRIPTION	DATE	DWN	APVD
AF	50	G2	REVISED PER ECR-19-013909	01OCT2019	PC MB



1 CONTINUOUS STRIP ON REELS WITH TERMINALS LOCATED ON 8.38±0.08 [.330±.003] CENTERS.
 2 SLOT ACCEPTS 0.36-0.58mm [#27-#23] AWG COPPER MAGNET WIRE. TWO WIRES OF THE SAME SIZE MAX PER SLOT. ALUMINIUM RANGE 0.51-0.64mm [#24-#22] AWG, ALUMINIUM WIRE RANGE APPLIES FOR POST TIN PLATED PART NUMBERS ONLY.



O82 BRASS	63128-3
4M BRASS	63128-1
MATERIAL	PART NUMBER

THIS DRAWING IS A CONTROLLED DOCUMENT.		DWN 07FEB97 MICHAEL S. FEHER	STE TE Connectivity	
DIMENSIONS: mm		CHK 10FEB97 RICHARD GRZYBOWSKI		
TOLERANCES UNLESS OTHERWISE SPECIFIED:		APVD 10FEB97 NELSON E. NEFF	NAME TAB, 6.35[.250] FASTON,™ MAG-MATE™	
0 PLC ± -		PRODUCT SPEC 108-2012	SIZE	
1 PLC ± -		APPLICATION SPEC 114-2094	CAGE CODE A300779	DRAWING NO C-63128
2 PLC ± 0.25[.010]		WEIGHT -	RESTRICTED TO -	
3 PLC ± -		MATERIAL SEE TABLE	SCALE 6:1	
4 PLC ± -			SHEET 1 OF 1	
ANGLES ± 1°		FINISH TIN PLATED		REV G2
CUSTOMER DRAWING				

单击下面可查看定价，库存，交付和生命周期等信息

[>>TE Connectivity\(泰科\)](#)