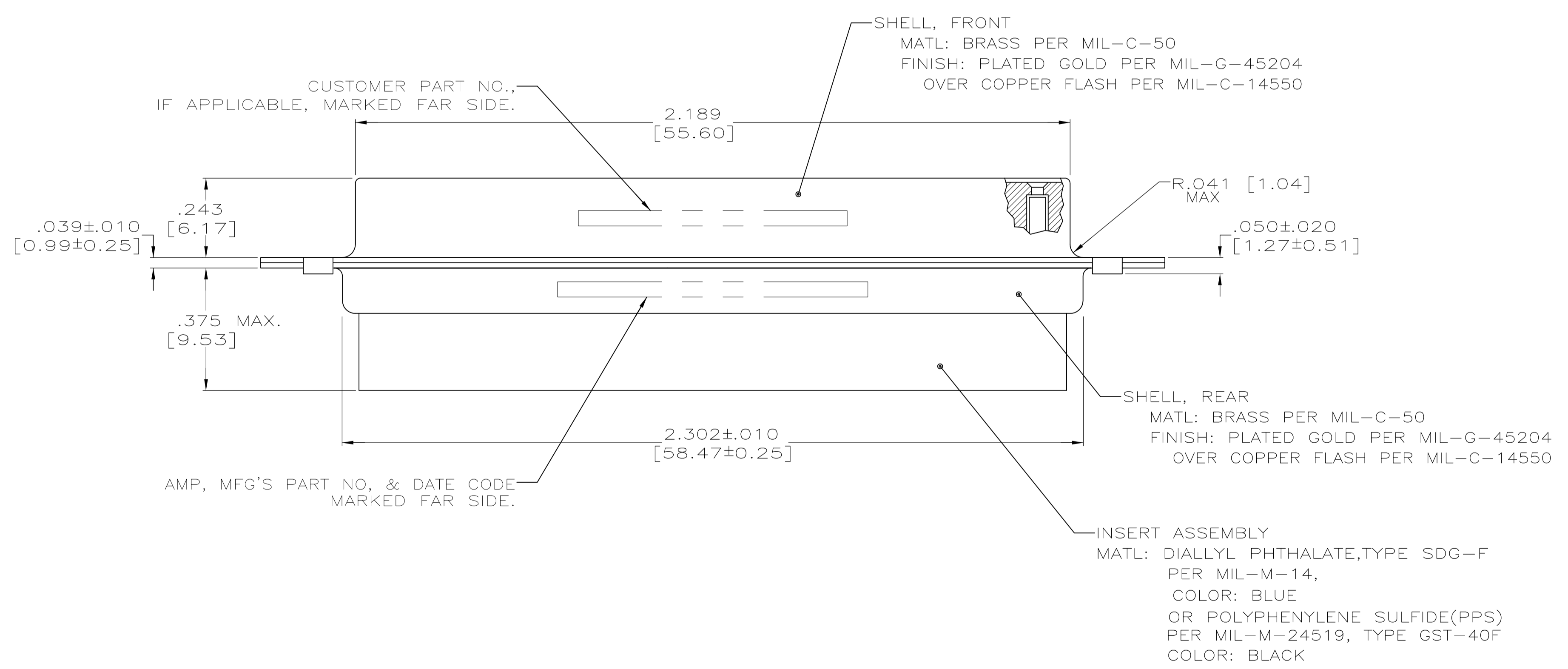
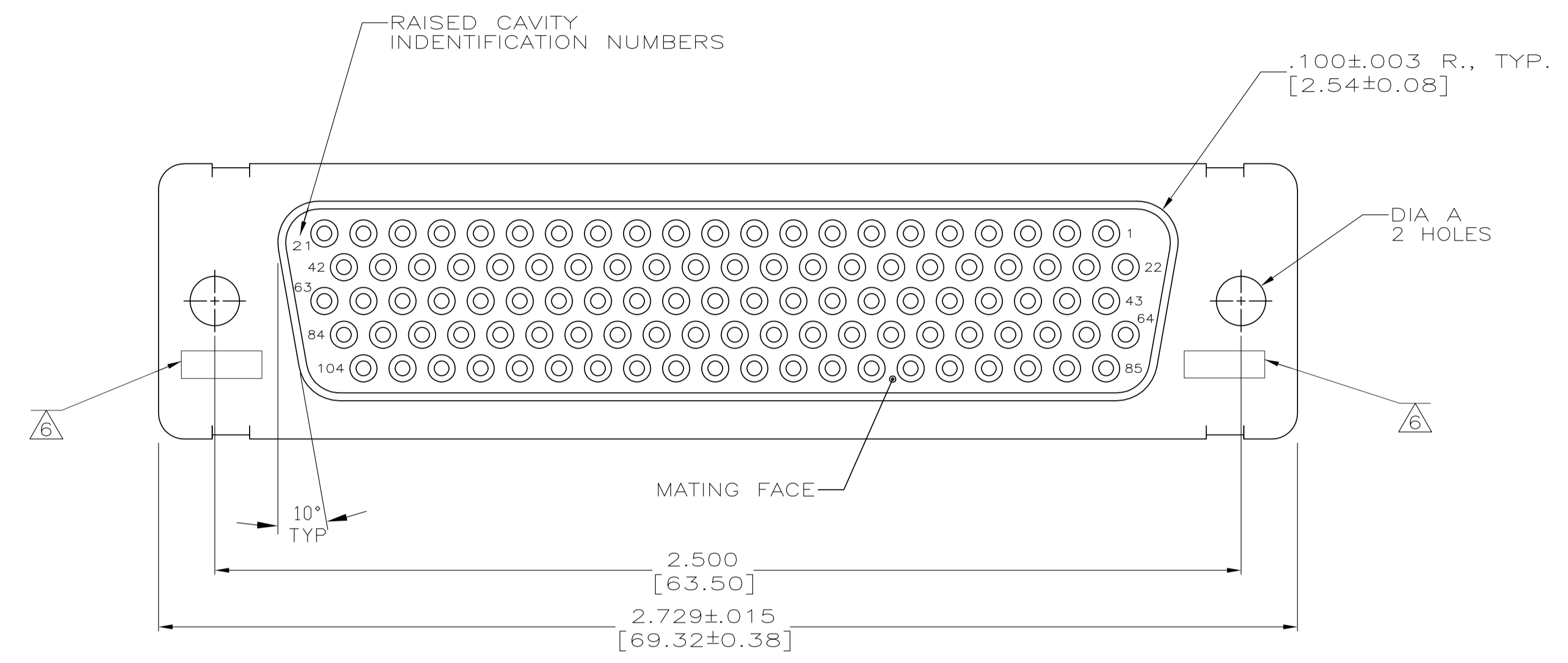
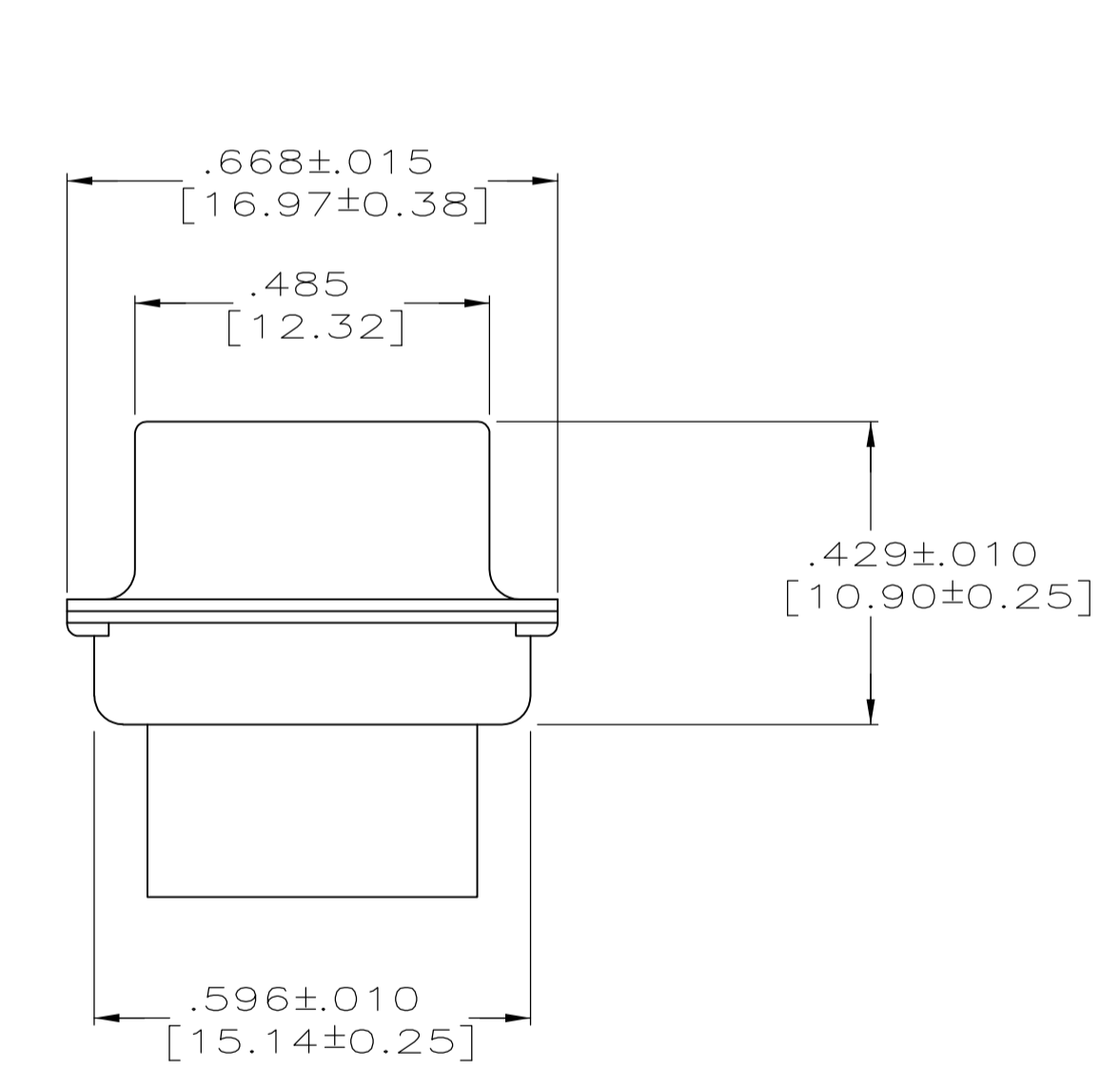


REVISONS		DATE	DWN	APVD
LOC	DIST	DESCRIPTION		
T	REV PER ECO	15-016064	11-9-15	CT CD



- THIS RECEPTACLE WILL MATE WITH ANY PLUG CONNECTOR WITH THE SAME INSERT ARRANGEMENT AS DEFINED BY MS14004-1.
 - MAXIMUM WIRE INSULATION USED WITH THIS RCPT. IS .054 [1.37] DIA.
 - Be-Cu RETENTION CLIPS ARE INCLUDED IN INSERTS.
- 4 INSPECTION REQUIREMENTS PER R4383.
- 5 CONNECTOR SUPPLIED WITH 115 CONTACTS, AMP PART NUMBER 206071-1. INSPECTION REQUIREMENTS PER R4383 WITHOUT TESTS FOR HIGH ALTITUDE DIELECTRIC WITHSTANDING VOLTAGE AS CALLED FOR IN TABLE II SCREENING AND TESTING.
- 6 UL/CSA DESIGNATION STAMPED IN THIS AREA, OPTIONAL.
- 7 SPECIAL TESTING PER GE DOCUMENT 20025720. CONNECTOR SUPPLIED WITH 114 CONTACTS, AMP P/N 206071-1.
- 8 RESTRICTED TO CAE ELECTRONICS ONLY.
- 9 THESE CONNECTORS ARE QUALIFIED TO GODDARD SPACE FLIGHT CENTER SPECIFICATION S-311-P-4.



AMP P/N 206071-1
GSFC P/N G-08-S1
(SUPPLIED WITH 206064-6 AND 206064-7 ONLY)

8	.120 [3.05]	570566-6	206065-9	206065-9
9	.120 [3.05]	311P407-6S-B-12	206065-4	206065-8
7	.120 [3.05]	20025720P1104S	206065-7	206065-7
5	.120 [3.05]	R4383P104S	206065-6	206065-6
4	.120 [3.05]	R4383P104S-2	206065-5	206065-5
9	.120 [3.05]	311P407-6S-B-12	206065-4	206065-4
	.154 [3.91]	---	206065-3	206065-3
9	.154 [3.91]	311P407-6S-B-15	206065-2	206065-2
	.120 [3.05]	R9259P104S	206065-1	206065-1
REMARKS	DIA A	CUSTOMER P/N ON CONNECTOR	AMP P/N ON CONNECTOR	PART NO.

THIS DRAWING IS A CONTROLLED DOCUMENT.

DTN: S. GLATFELTER 11-10-88
CHK: F. A. McDOUGLE 11-10-88
APP'D: F. McDOUGLE 11-10-88

NAME: AMPLIMITE NONMAGNETIC RECEPTACLE ASSEMBLY, SERIES 90, SHELL SIZE 6, 104 POSITION

APPLICATION SPEC: ---
WEIGHT: ---
CUSTOMER DRAWING

SCALE: 4:1 SHEET 1 OF 1 REV T

单击下面可查看定价，库存，交付和生命周期等信息

[>>TE Connectivity\(泰科\)](#)