

CODE 30 - BRAID TAIL BACKSHELL

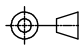

211M510-19B05

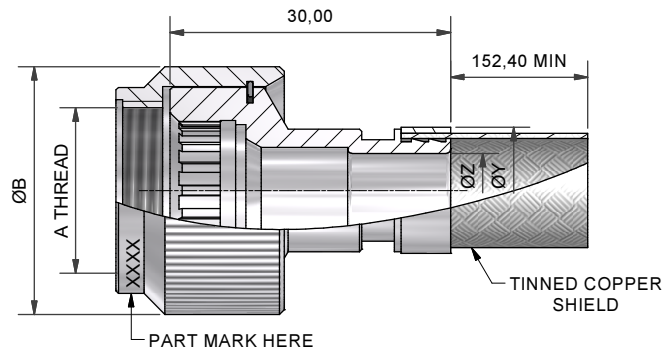
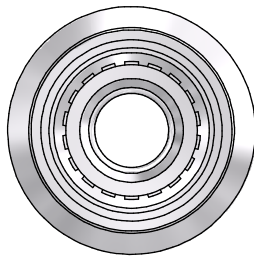
SERIES _____
 SHELL SIZE (TABLE 1) _____
 MATERIAL _____
 REFER TO CH00-0250-004
 FINISH _____
 REFER TO CH00-0250-004
 ENTRY SIZE (TABLE 2) _____

NOTES:

1. THIS PRODUCT IS DESIGNED TO TERMINATE A HEAT SHRINKABLE LIPPED BOOT TO A CONNECTOR.
2. FOR ADDITIONAL DIMENSIONS, ORDERING INFORMATION AND MODIFICATIONS, SEE CH00-0250-004
3. BACKSHELL TO BE PERMANENTLY MARKED/BAGGED AND LABELLED WITH CODE IDENTIFICATION NUMBER AND PART NUMBER. (e.g. 06090-211M510-19B05).
- ④ FOR LARGER ENTRY SIZES, A 2 PIECE ADAPTER (TYPE II) IS SUPPLIED.
5. BRAID TERMINATION RING MAY BE SUPPLIED AS TINEL-LOCK SHAPE MEMORY RING AT MANUFACTURERS OPTION.
6. BACKSHELL MATES TO MIL-C-28840, M28840/10, /11, /14 & /16

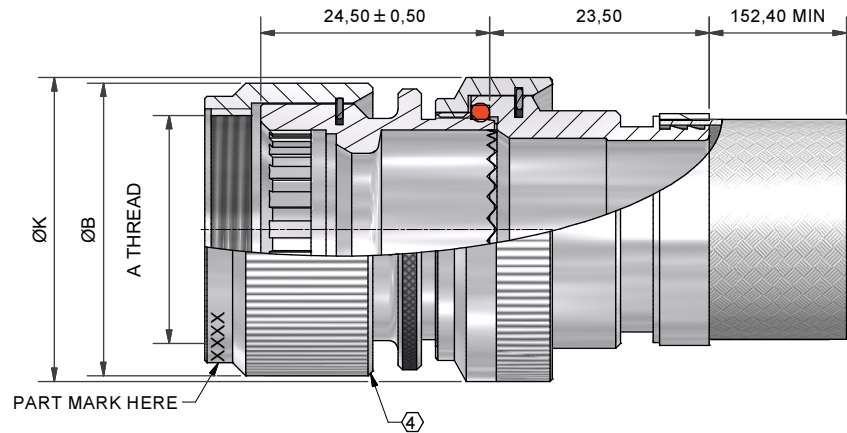
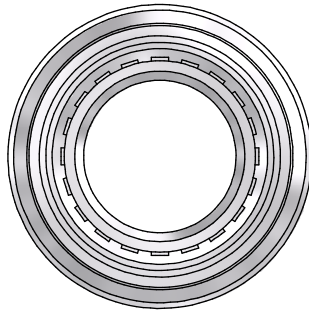
If this document is printed it becomes uncontrolled. Check for the latest revision

DRAWN	K.WINCZURA	DATE 29/04/2015	 3RD ANGLE PROJECTION NOT TO SCALE	TITLE: BRAID TAIL BACKSHELL	 Polamco  connectivity
CHECKED		29/04/2015	UNLESS OTHERWISE SPECIFIED ALL DIMENSIONS IN MILLIMETRES GENERAL TOL LINEAR +/-0.25MM ANGULAR +/- 1°	ASSY USED ON: MIL-DTL-28840/10, /11, /14 & /16	
APPROVED	K.SHEPPARD	08/05/2015			
APPROVED	H.SMITH	02/09/2015			
REVISIONS					
LTR	DESCRIPTION	DATE	APPROVED		
G	REVISED PER ECN AD93084	24/05/1993			
H	REVISED PER ECO-15-012672	02/09/2015	H.SMITH		
TE CAGE CODE: 06090 POLAMCO/TE CAGE CODE: U5792				TE CONNECTIVITY - POLAMCO LTD RESERVES THE RIGHT TO AMEND THIS DRAWING AND THERE SHOULD BE NO INDEPENDENT INTERPRETATION IN THEIR APPLICATION.	DRAWING NO: 211M5XX
				DRAWING REV: H	SHT 1



STRAIGHT BACKSHELL - TYPE 1

IF THE MAX ENTRY IS EXCEEDED BACKSHELL
WILL BE SUPPLIED AS TYPE 2



STRAIGHT BACKSHELL - TYPE 2

TABLE 1

ORDER NUMBER	SHELL SIZE		A THREAD	ØB MAX	MAX ENTRY
	COM'L	MIL			
10	11	A	3/4 - 20UNEF	26,5	05
12	13	B	7/8 - 20UNEF	29,7	08
14	15	C	1 - 20UNEF	31,3	10
16	17	D	1 1/8 - 18 UNEF	35,5	12
18	19	E	1 1/4 - 18UNEF	38,7	14
22	23	F	1 7/16 -18UNEF	43,6	16
24	25	G	1 9/16 -18UNEF	47,2	18
28	29	H	1 7/8 - 16UN	55,2	22
32	33	J	2 1/16 -16UN	60,5	24

TABLE 2

ENTRY SIZE	ØK MAX	ØZ REF	ØY REF
03	NA	4,77	13,1
04	NA	6,35	13,1
05	21,0	7,92	13,1
06	21,0	9,52	17,9
07	21,0	11,12	17,9
08	24,5	12,70	17,9
09	24,5	14,27	17,9
10	29,0	15,87	24,2
11	32,5	17,47	24,2
12	32,5	19,05	24,2
13	35,5	20,62	24,2
14	35,5	22,23	30,6
15	37,0	23,82	30,6
16	37,0	25,40	30,6
17	40,0	26,98	33,2
18	40,0	28,60	33,2
20	43,5	31,80	42,0
21	48,5	33,34	42,0
22	48,5	35,00	42,0
24	52,1	38,10	42,0
28	58,5	44,45	49,0

If this document is printed it becomes uncontrolled. Check for the latest revision

DRAWN	K.WINCZURA	DATE 29/04/2015	 3RD ANGLE PROJECTION NOT TO SCALE	TITLE: BRAID TAIL BACKSHELL	 Polanco  TE <small>connectivity</small>
CHECKED		29/04/2015	<small>UNLESS OTHERWISE SPECIFIED ALL DIMENSIONS IN MILLIMETRES GENERAL TOL LINEAR +/-0,25MM ANGULAR +/- 1°</small>	ASSY USED ON: MIL-DTL-28840/10, /11, /14 & /16	
APPROVED	K.SHEPPARD	08/05/2015			
APPROVED	H.SMITH	02/09/2015			
REVISIONS					
LTR	DESCRIPTION	DATE	APPROVED		
G	REVISED PER ECN AD93084	24/05/1993			
H	REVISED PER ECO-15-012672	02/09/2015	H.SMITH		
TE CAGE CODE: 06090 POLAMCO/TE CAGE CODE: U5792				<small>TE CONNECTIVITY - POLAMCO LTD RESERVES THE RIGHT TO AMEND THIS DRAWING AND TO INDEP</small> Downloaded From Oneyac.com	DRAWING NO: 211M5XX
				DRAWING REV: H	SHT 2

单击下面可查看定价，库存，交付和生命周期等信息

[>>TE Connectivity\(泰科\)](#)