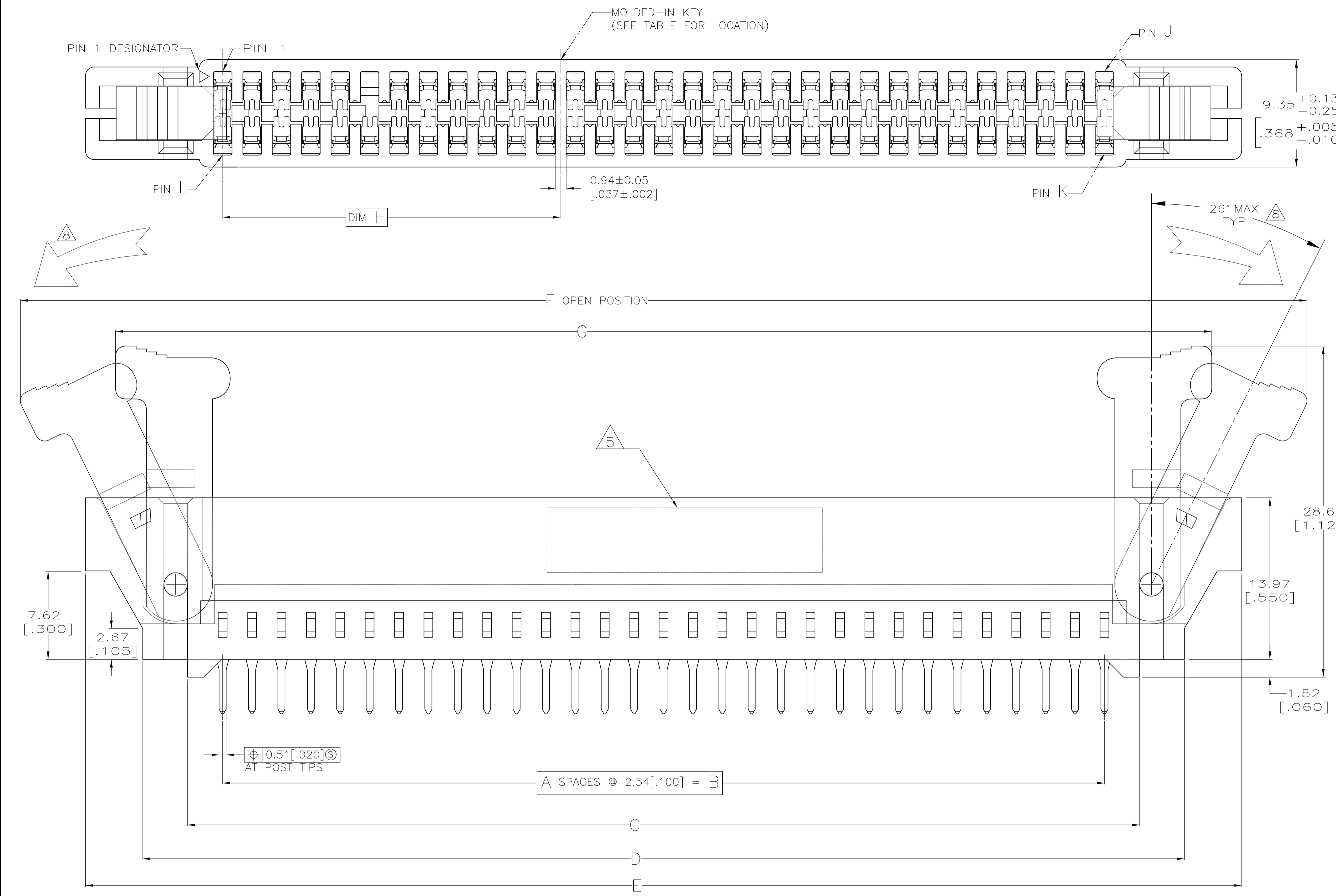
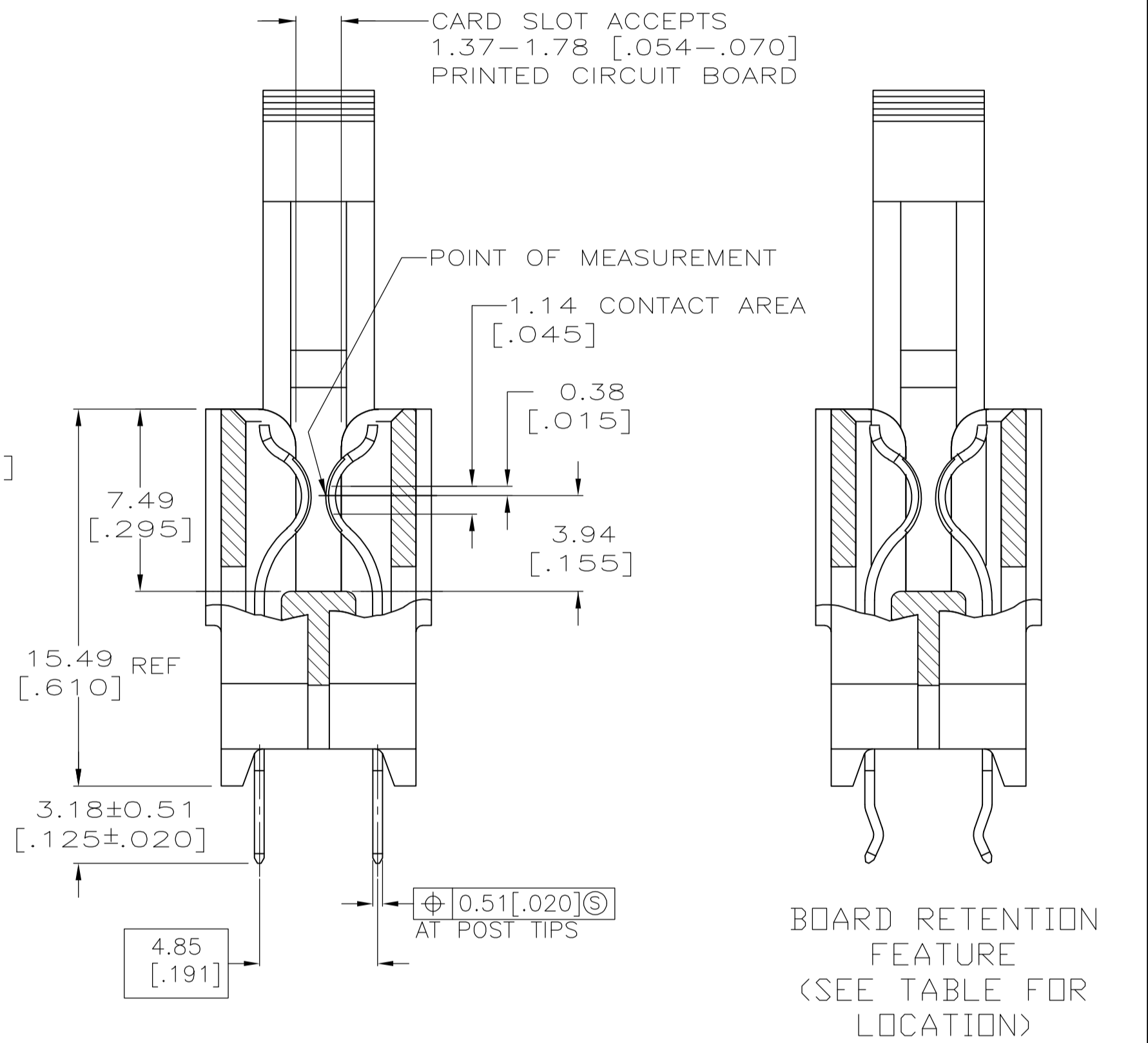


REVISONS		DATE	DWN	APVD
E	ECO-08-029491	04MAR2008	LAM	AWF
E1	REVISED PER ECO-10-000444	19JAN10	KK	HMR



- MATERIAL: HOUSING: GLASS FILLED POLYESTER; COLOR: BLACK. CONTACT: HIGH CONDUCTIVITY COPPER ALLOY
- FINISH: (SEE TABLE) GOLD PLATE IN CONTACT AREA, 0.00254[.000100] MIN MATTE TIN ON SOLDER POSTS, ALL OVER 0.00127[.000050] MIN NICKEL
  - 3 0.00038[.000015] MIN GOLD
  - 4 0.00076[.000030] MIN GOLD
  - 5 AMP LOGO, TE PART NUMBER, DATE CODE AND CSA LOGO INK STAMPED WHITE (HOT STAMPED OR LAZER PRINTED) IN THE APPROXIMATE AREA SHOWN, EITHER SIDE PERMISSIBLE, WHEN HOUSING SIZE PERMITS
  - 6 DATUMS AND BASIC DIMENSIONS ESTABLISHED BY CUSTOMER
  - 7 CONNECTORS SHOWN ARE USED IN APPLICATIONS WITH VRM MODULES WEIGHING 3 OUNCES OR LESS. ALTERNATE CONNECTOR AND LATCH METHOD IS AVAILABLE FOR VRM MODULES WEIGHING UP TO 6 OUNCES.
  - 8 CAUTION: LATCHES ARE INTENDED FOR RETENTION OF PC BOARD TO CONNECTOR. DO NOT ATTEMPT TO FULLY EJECT PC BOARD FROM CONNECTOR WHILE DISENGAGING LATCHES. DAMAGE TO LATCHES AND OR CONNECTOR MAY OCCUR.
  - 9 OBSOLETE PARTS: OBSOLETE CIS STREAMLINING PER D.RENAUD/D.SINISI



<b>OBSOLETE</b>	6489165-2
	PART NUMBER

	9.1, +12 V	2,3,29,30,33,34,60,61	12 & 13	6	49.35 [1.943]	31.50 [1.240]	62	32	31	29.21 [1.150]	97.10 [3.823]	113.00 [4.449]	99.92 [3.934]	90.02 [3.544]	82.52 [3.249]	76.20 [3.000]	30	31	6489165-6
OBSOLETE	9.1, +12 V	2,3,29,30,33,34,60,61	12 & 13	6	49.35 [1.943]	31.50 [1.240]	62	32	31	29.21 [1.150]	97.10 [3.823]	113.00 [4.449]	99.92 [3.934]	90.02 [3.544]	82.52 [3.249]	76.20 [3.000]	30	31	6489165-5
9	-	2,3,12,13,16,17,26,27	24 & 25	28	26.49 [1.043]	11.18 [.440]	28	15	14	8.89 [.350]	53.92 [2.123]	69.82 [2.749]	56.74 [2.234]	46.84 [1.844]	39.34 [1.549]	33.02 [1.300]	13	14	6489165-4
	9.05, +12 V	2,3,29,30,33,34,60,61	11 & 12	6	51.89 [2.043]	28.96 [1.140]	62	32	31	26.67 [1.050]	97.10 [3.823]	113.00 [4.449]	99.92 [3.934]	90.02 [3.544]	82.52 [3.249]	76.20 [3.000]	30	31	6489165-3
	9.1, +12 V	2,3,29,30,33,34,60,61	12 & 13	6	49.35 [1.943]	31.50 [1.240]	62	32	31	29.21 [1.150]	97.10 [3.823]	113.00 [4.449]	99.92 [3.934]	90.02 [3.544]	82.52 [3.249]	76.20 [3.000]	30	31	6489165-1
FINISH	VRM DESIGNATION	RETENTION LOCATION	MOLDED-IN KEY	OMITTED PIN & HOLE	R	P	L	K	J	H	G	F	E	D	C	B	A	NO OF DUAL POSITIONS	PART NUMBER

THIS DRAWING IS A CONTROLLED DOCUMENT.

DIMENSIONS: mm [INCHES]

TOLERANCES UNLESS OTHERWISE SPECIFIED:

0 PLC	± .005
1 PLC	± .005
2 PLC	± 0.13[.005]
3 PLC	± .005
4 PLC	± .005
ANGLES	± .2°

MATERIAL: SEE NOTE 1

FINISH: SEE NOTE 2

AWF/L.A.MAYER 04MAR2008

A.W.FRANTUM 04MAR2008

S.FLICKINGER 04MAR2008

NAME: CONNECTOR ASSEMBLY STANDARD EDGE II, DUAL POSITION 2.54 [.100] CENTERLINE

PRODUCT SPEC: 108-9039-2

APPLICATION SPEC: 114-13018

SIZE: A1

SCALE: 5:1

SHEET: 1 OF 2

REV: E1

Customer Drawing



单击下面可查看定价，库存，交付和生命周期等信息

[>>TE Connectivity\(泰科\)](#)