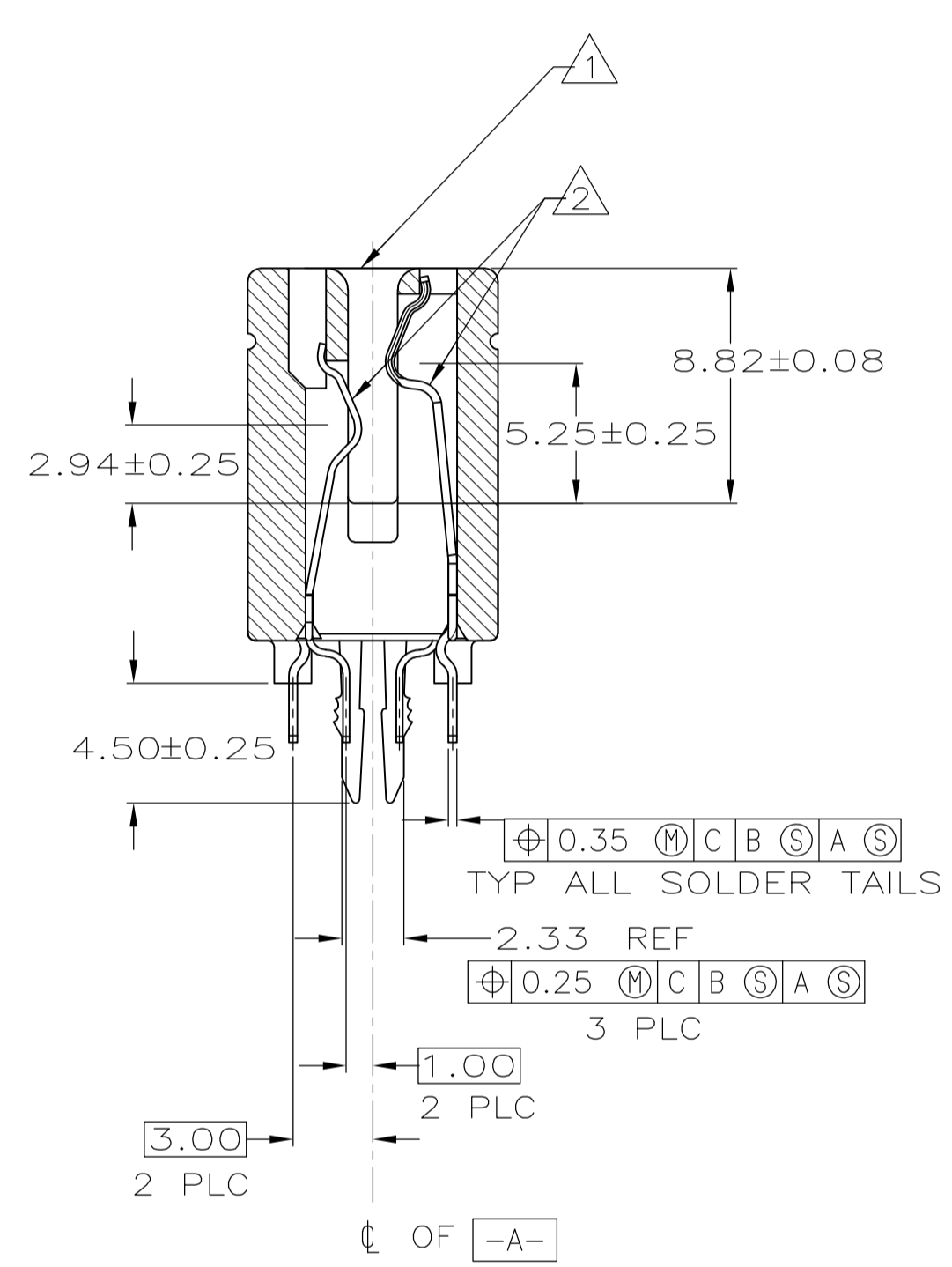
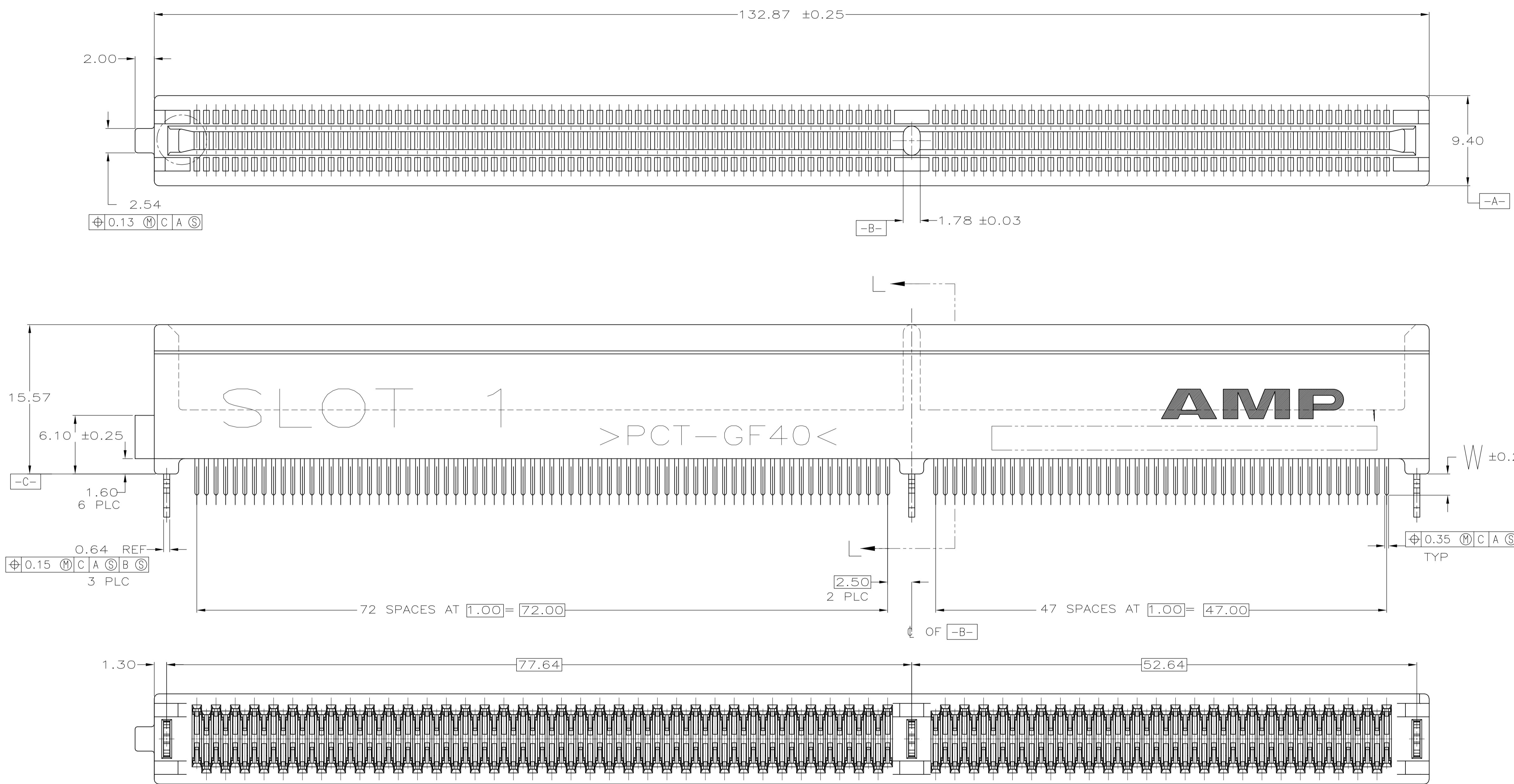


LOC	DIST	REV	DATE	BY	APPV
AD	14				
REVISIONS					
REV	DATE	DESCRIPTION	BY	APPV	
A	5/15/97	REVISED PER 0430-0163-97	RB	MB	
B	6/3/97	REVISED PER 0430-0204-97	RB	MB	
C	8/14/97	REVISED PER 0430-0286-97	RB	MB	
D	7/15/98	REVISED PER 0G51-0101-98	RB	DD	
E	8/4/98	REVISED PER 0G51-0107-98	RB	DD	
F	01/17/99	REV PER EC 0G51-0226-98	MM	EL	
G	01/20/99	REV PER EC 0G51-0294-98	MM	DD	
H	05/17/99	REV PER 0G51-0062-99	MM	EL	
H1	07JAN10	REV PER ECO-09-021826	KK	AEG	



- △ MATERIAL: HOUSING, THERMOPLASTIC, COLOR: BROWN.
CONTACTS, PHOSPHOR BRONZE.
HOLD-DOWNS, BRASS.
- △ FINISH: CONTACTS, 1.27 MIN. MICROMETERS NICKEL ALL OVER,
0.38 MIN. MICROMETERS GOLD OVER NICKEL IN CONTACT AREA,
- △ FINISH: 2.54 MIN MICROMETERS TIN-LEAD OVER NICKEL ON SOLDER TAILS.
- △ FINISH: CONTACTS, 1.27 MIN. MICROMETERS NICKEL ALL OVER,
0.0254-0.0762 MICROMETERS GOLD OVER NICKEL IN CONTACT AREA.
2.54 MIN. MICROMETERS TIN-LEAD OVER NICKEL ON SOLDER TAILS.
- △ OBSOLETE PARTS: OBSOLETE CIS STREAMLINING PER D.RENAUD/D.SINISI

OBsolete	△	△	3.18	145251-6
△	△	△	2.54	145251-5
	△	△	3.18	145251-3
	△	△	2.54	145251-2
△	△	△	2.16	145251-1
	PLATING	W		PART NO

THIS DRAWING IS A CONTROLLED DOCUMENT.

DIMENSIONS:	TOLERANCES UNLESS OTHERWISE SPECIFIED:	DWN	R BROWN	1/6/97
mm	0 PLC ±	CHK	M BOWERS	1/6/97
	1 PLC ±	APPV	D SARVER	1/6/97
	2 PLC ±	PRODUCT SPEC		
	3 PLC ±	APPLICATION SPEC		
	4 PLC ±	WEIGHT		
	ANGLES ±	CUSTOMER DRAWING		

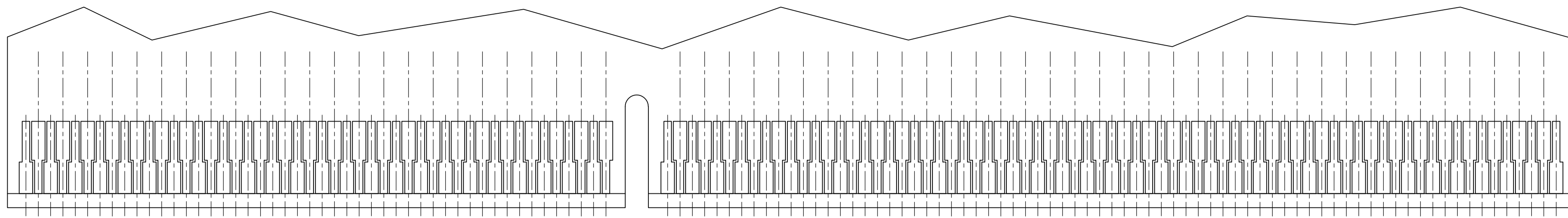
AMP Incorporated
Harrisburg, PA 17105-3608

AMP, 1mm STANDARD EDGE ASSEMBLY, 242 POSITION

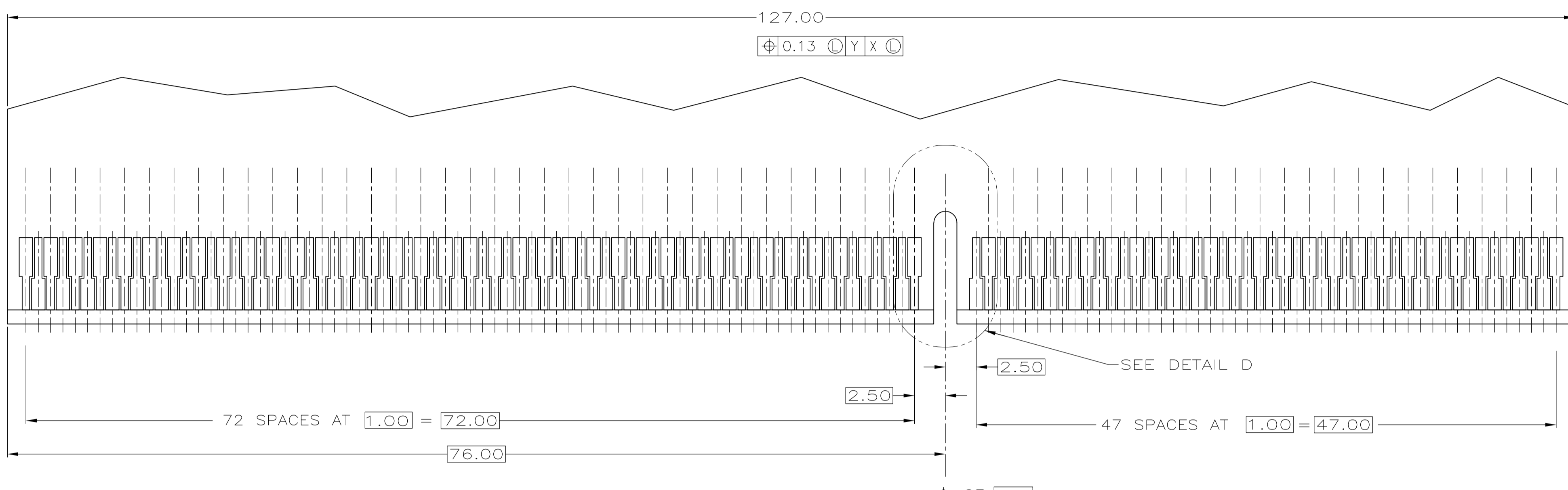
SIZE: A1 CAGE CODE: 00779 DRAWING NO: 145251

SCALE: 4:1 SHEET 1 OF 2 REV H1

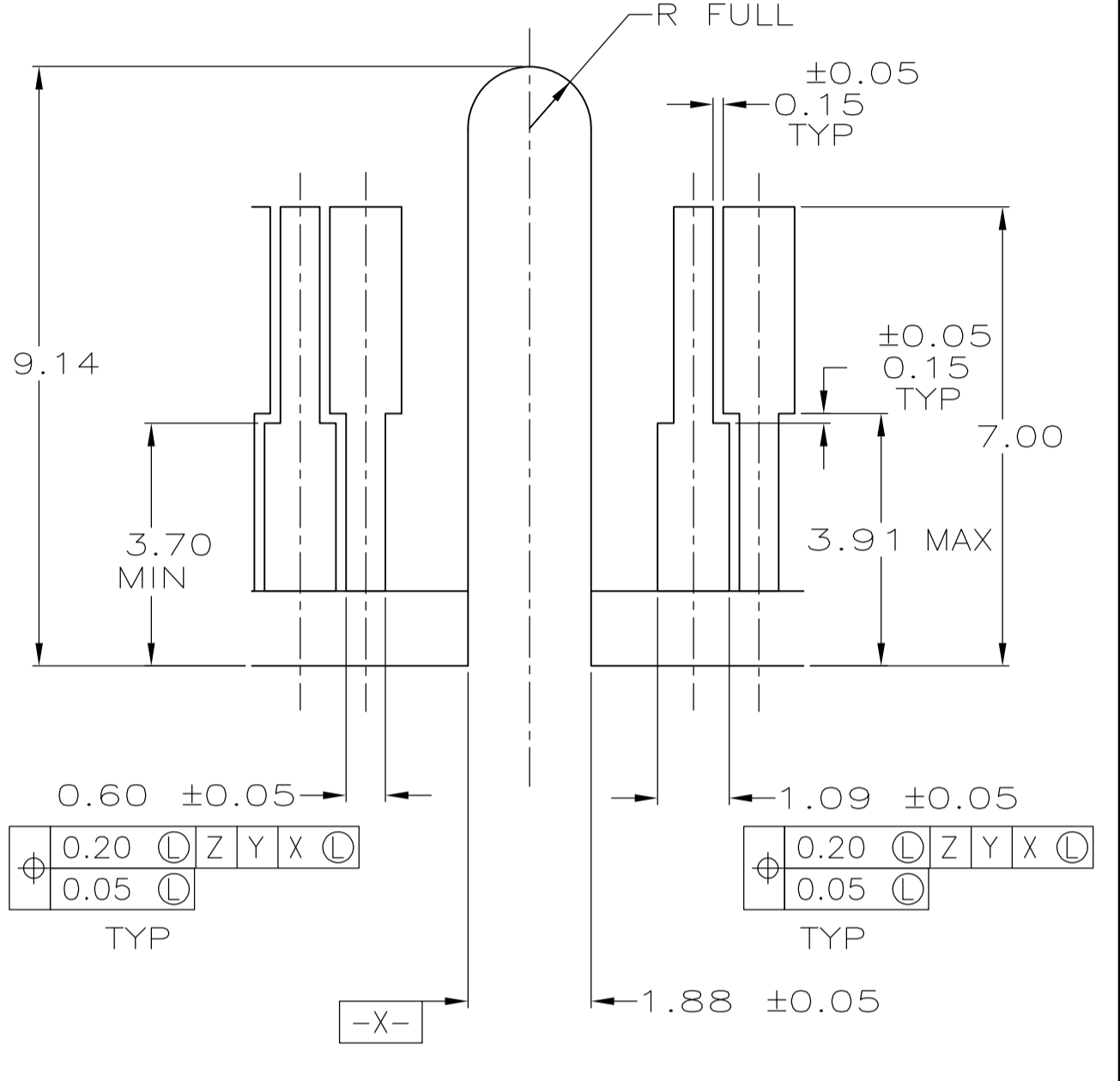
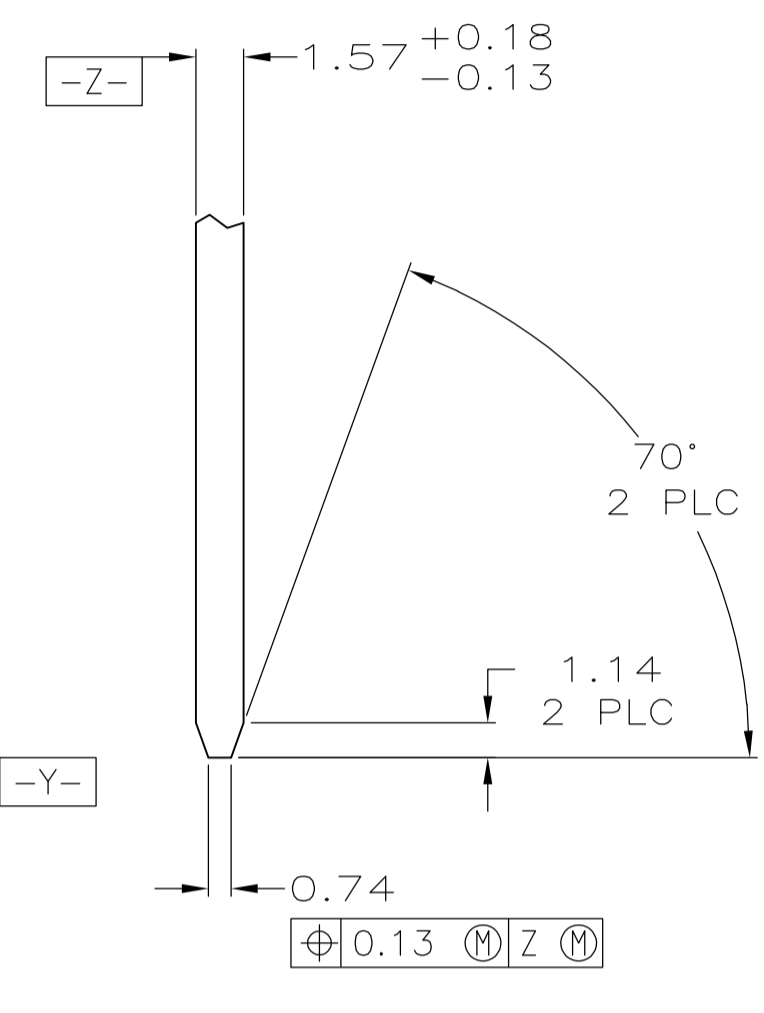
LOC		DIST		REVISIONS			
AD	14	P	LTR	DESCRIPTION	DATE	DWN	APVD
		H1		SEE SHEET 1	-	-	-



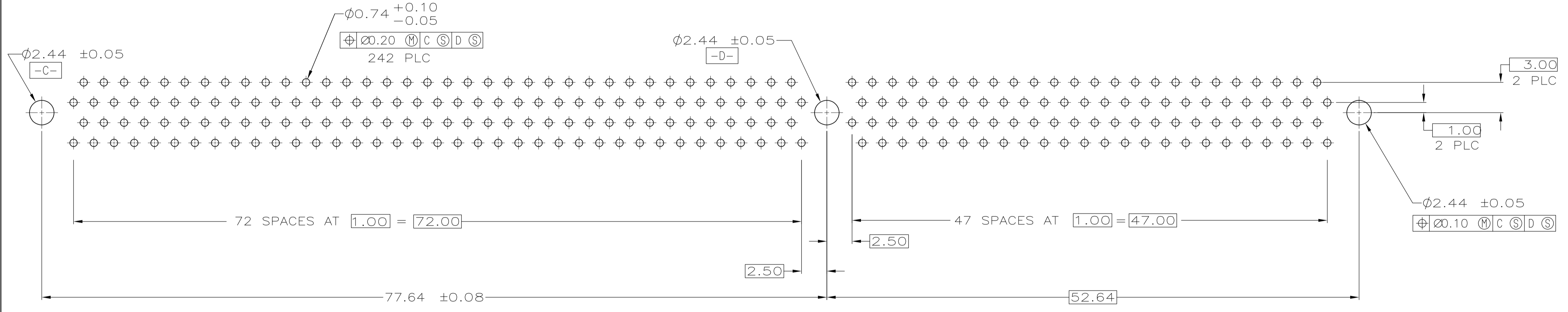
RECOMMENDED CONNECTOR MATING PAD PATTERN
(SECONDARY SIDE SHOWN)



RECOMMENDED CONNECTOR MATING PAD PATTERN
(PRIMARY SIDE SHOWN)



DETAIL D
SCALE 10:1



RECOMMENDED CONNECTOR MOUNTING HOLE PATTERN
(CONNECTOR SIDE SHOWN)

THIS DRAWING IS A CONTROLLED DOCUMENT.				DWN R BROWN	1/6/96	AMP AMP Incorporated Harrisburg, PA 17105-3608
				CHK M BOWERS	1/6/96	
				APVD D SARVER	1/6/96	
				NAME		
DIMENSIONS: mm			TOLERANCES UNLESS OTHERWISE SPECIFIED:			PRODUCT SPEC APPLICATION SPEC WEIGHT CUSTOMER DRAWING
\ominus \oplus			0 PLC \pm 1 PLC \pm 2 PLC ± 0.13 3 PLC \pm 4 PLC \pm ANGLES $\pm 12^\circ$			
MATERIAL			FINISH			
AMP 4805 REV 23FEB95 Translated 061110.092705 (Y1) Computervision, Inc.; Medusa Downloaded From Onevac.com				SIZE A1 CAGE CODE 00779 DRAWING NO C-145251 SCALE 4:1 SHEET 2 of 2 REV H1		

单击下面可查看定价，库存，交付和生命周期等信息

[>>TE Connectivity\(泰科\)](#)