

THIS DRAWING IS UNPUBLISHED.

RELEASED FOR PUBLICATION

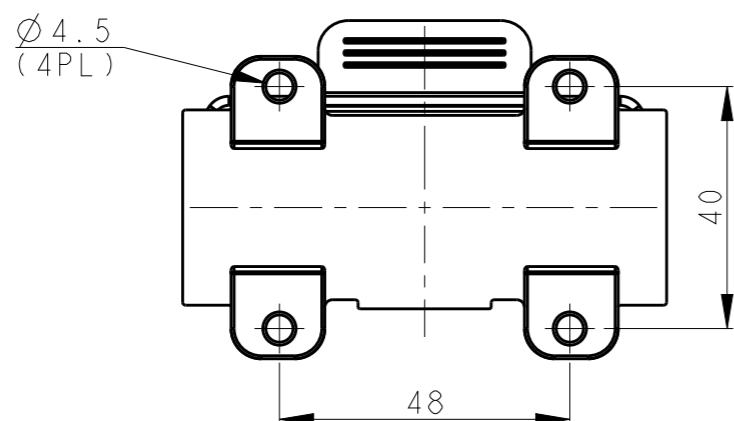
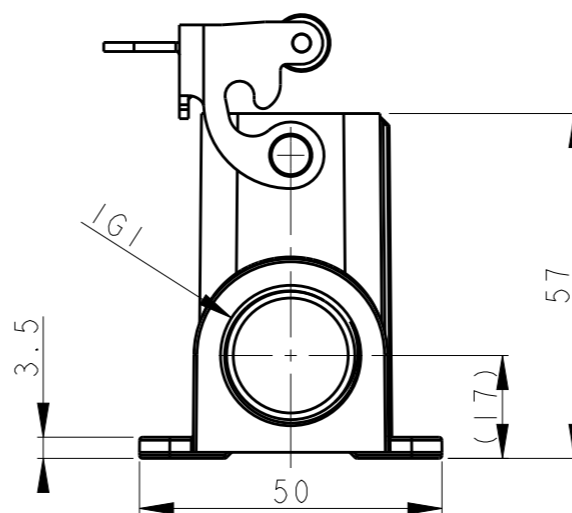
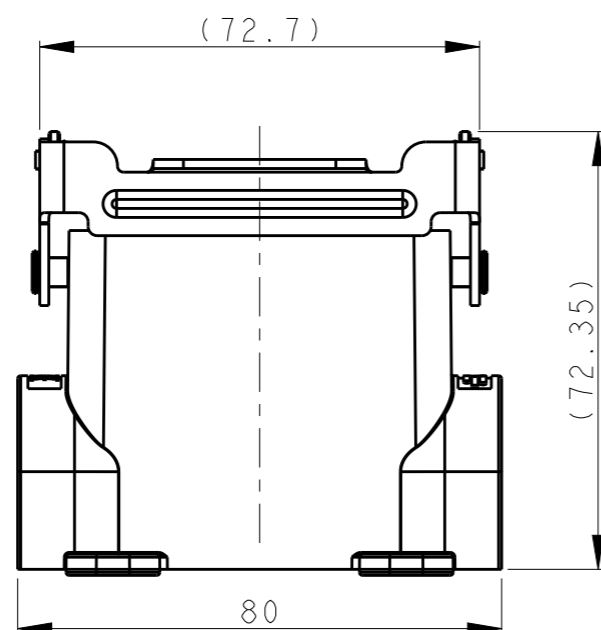
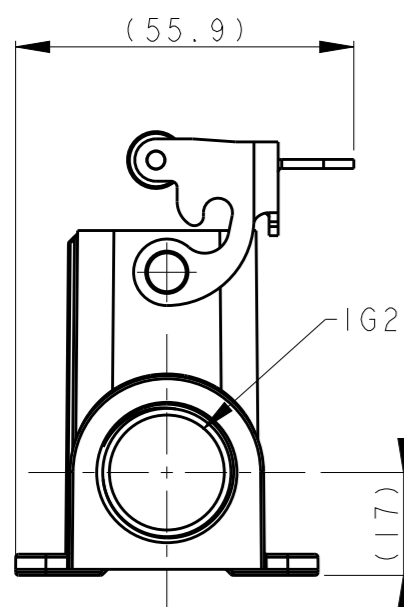
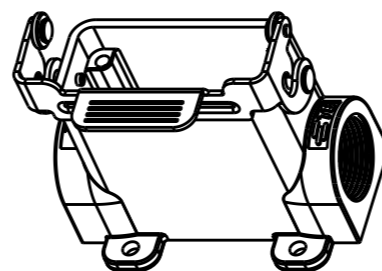
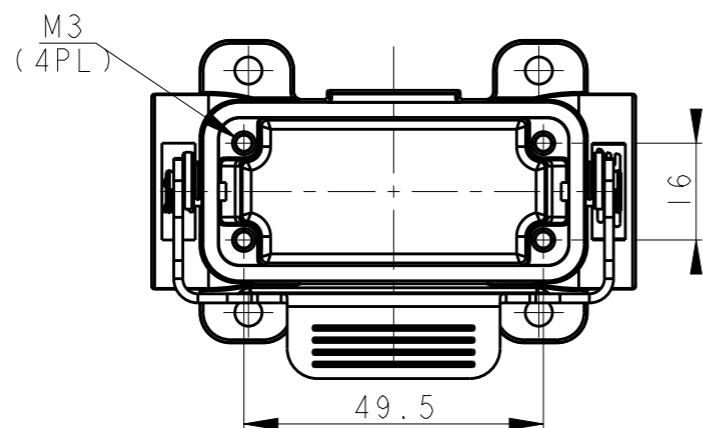
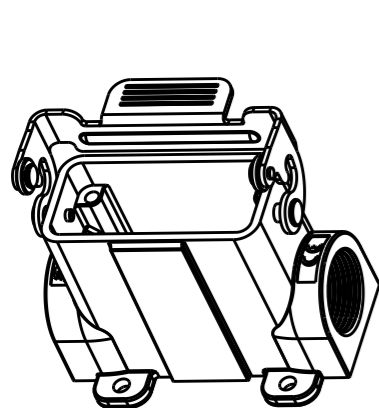
20

© COPYRIGHT 20 BY -

ALL RIGHTS RESERVED.

REVISIONS

P	LTR	DESCRIPTION	DATE	DWN	APVD
A		INITIAL RELEASE	24APR2015	DL	CW
B		ECR-20-008424	14DEC2020	BS	CW



NOTES:

- 1. TECHNICAL CHARACTERISTICS:  
 BODY MATERIAL: DIE CAST ALUMINIUM ALLOY  
 SURFACE TREATMENT: POWDER-COATED, GRAY  
 DEGREE OF PROTECTION: IP65 (MATED)

注释:

- 1. 技术参数:  
 主体材料: 铝合金  
 表面处理: 粉末喷涂, 灰色  
 防护等级: IP65(配合)

T1619101116-000	H10A-SGRS-PG16	PG16	-
T1619101120-000	H10A-SGRS-M20	M20	-
T1619101121-000	H10A-SGRS-PG21	PG21	-
T1619101125-000	H10A-SGRS-M25	M25	-
T1619101216-000	H10A-SGRS-2PG16	PG16	PG16
T1619101220-000	H10A-SGRS-2M20	M20	M20
T1619101221-000	H10A-SGRS-2PG21	PG21	PG21
T1619101225-000	H10A-SGRS-2M25	M25	M25
ASSEMBLY PART NUMBER	ASSEMBLY PART DESCRIPTION	IG1	IG2

THIS DRAWING IS A CONTROLLED DOCUMENT.

DIMENSIONS:	TOLERANCES UNLESS OTHERWISE SPECIFIED:
mm	
	0 PLC ±-
	1 PLC ±-
	2 PLC ±-
	3 PLC ±-
	4 PLC ±-
	ANGLES ±-

MATERIAL	FINISH
-	-
-	-

DWN	24APR2015
DAVID LI	
CHK	24APR2015
CHRIS WANG	
APVD	24APR2015
XU XIANG	
PRODUCT SPEC	108-137010
APPLICATION SPEC	114-137010
WEIGHT	-
CUSTOMER DRAWING	

TE Connectivity			
NAME H10A-SGRS-PG/M			
SIZE	CAGE CODE	DRAWING NO	RESTRICTED TO
A3	-	©-T1619101XXX000	-
SCALE		SHEET	REV
4:5		1 OF 1	B

单击下面可查看定价，库存，交付和生命周期等信息

[>>TE Connectivity\(泰科\)](#)