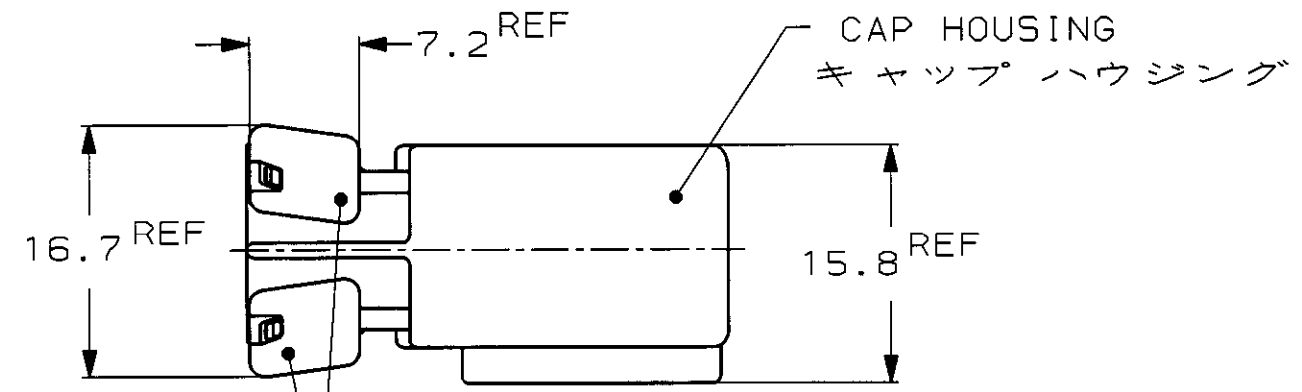
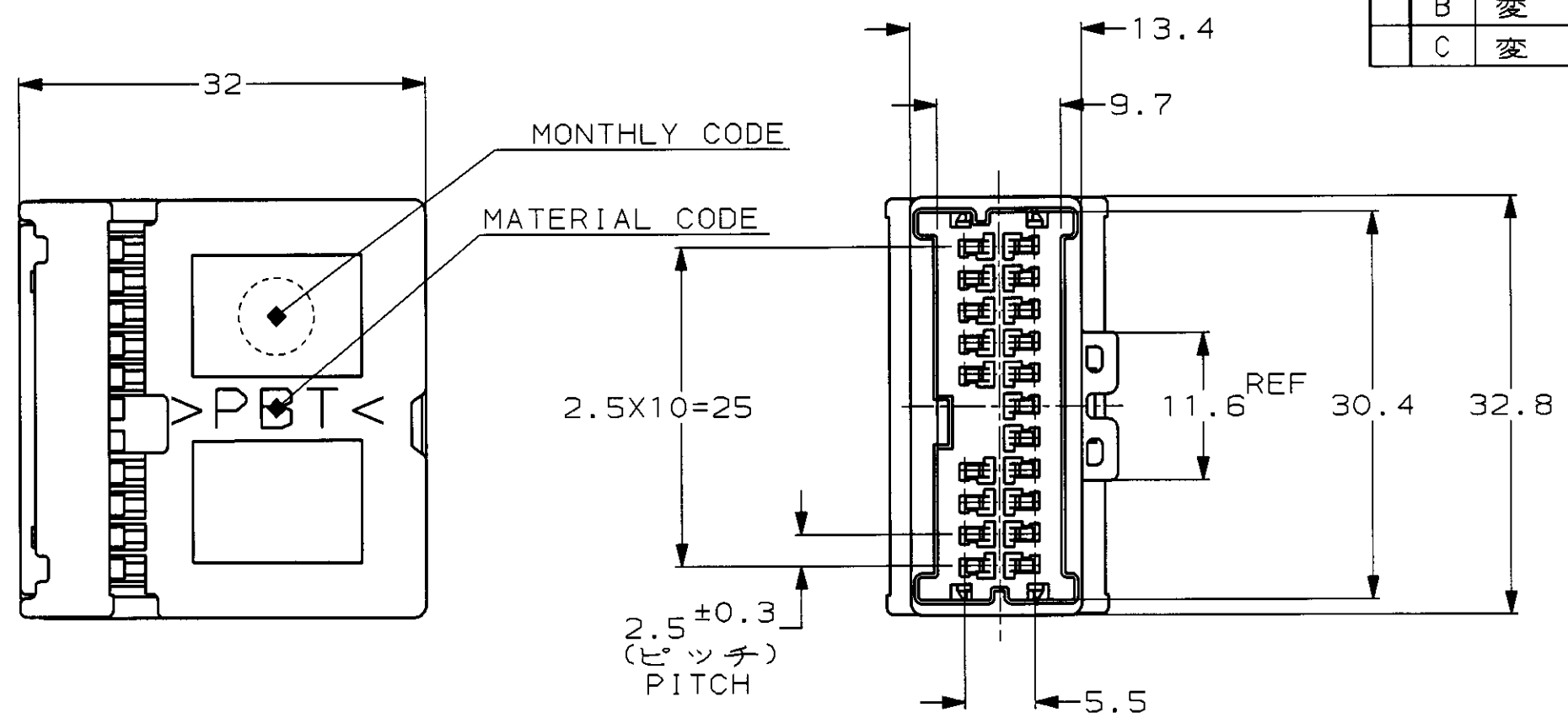
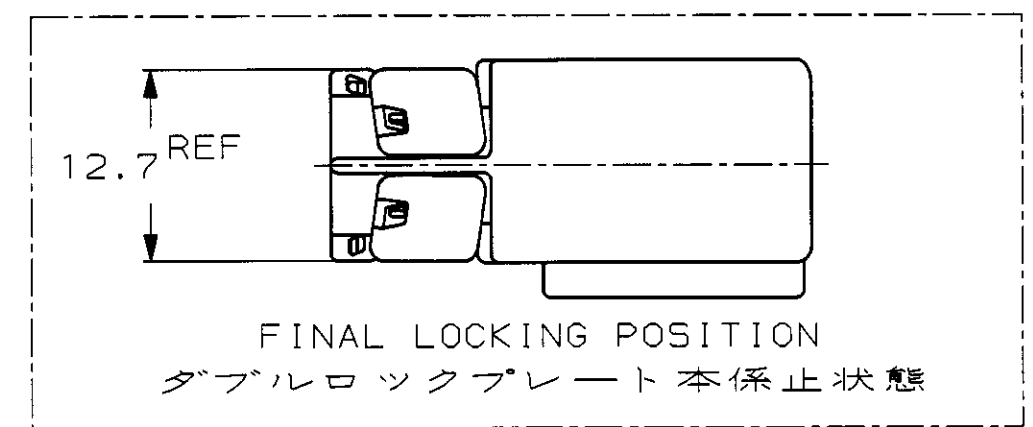


REVISIONS					
P	LTR	DESCRIPTION	ECN	DATE	APVD
	A	再作成 REDRAWN	FJ00-0506-98	10APR98	TM MT
	B	変更 REVISED	FJ00-1797-99	29OCT99	KS MT
	C	変更 REVISED	FJ00-2112-99	08DEC99	KS MT



DOUBLE LOCK PLATE (NATURAL)
 ダブルロックプレート (自然色)



1123379-1	353537-1 353537-2 (Au)	自然色 (NATURAL)	1123357-1
嵌合相手ハウジング型番 MATING HOUSING PART NUMBER	適用端子型番 APPLICABLE CONTACT PART NUMBER	色 (COLOR)	型番 PART NUMBER
<small>THIS DRAWING IS A CONTROLLED DOCUMENT FOR AMP INCORPORATED. IT IS SUBJECT TO CHANGE AND THE CONTROLLING ENGINEERING ORGANIZATION SHOULD BE CONTACTED FOR THE LATEST REVISION.</small>		08APR98 T. MINEMATSU 08APR98 E. SASAKI 10APR98 M. TSUKAKOSHI	
DIMENSIONS: 単位: 概 mm		TOLERANCES UNLESS OTHERWISE SPECIFIED 一般公差 10% ±0.2 30% ±0.25 100% ±0.3 ANGLE: ±0.3°	
MATERIAL 材料 PBT		FINISH 仕上	
APVD M. TSUKAKOSHI		NAME 040III MULTILOCK CONNECTOR 20POSITION CAP HOUSING ASSEMBLY (WIRE TO WIRE)	
PRODUCT SPEC 製品規格 108-5607		040III マルチロック コネクタ 20極 キヤップハウジング アッセンブリ (対電線用)	
APPLICATION SPEC 取付適用規格 114-5228		SIZE CAGE CODE DRAWING NO A3 00779 C- 1123357	
WEIGHT 8.1g		RESTRICTED TO -	
CUSTOMER DRAWING		SCALE 2:1 SHEET 1 OF 1 REV C	

单击下面可查看定价，库存，交付和生命周期等信息

[>>TE Connectivity\(泰科\)](#)