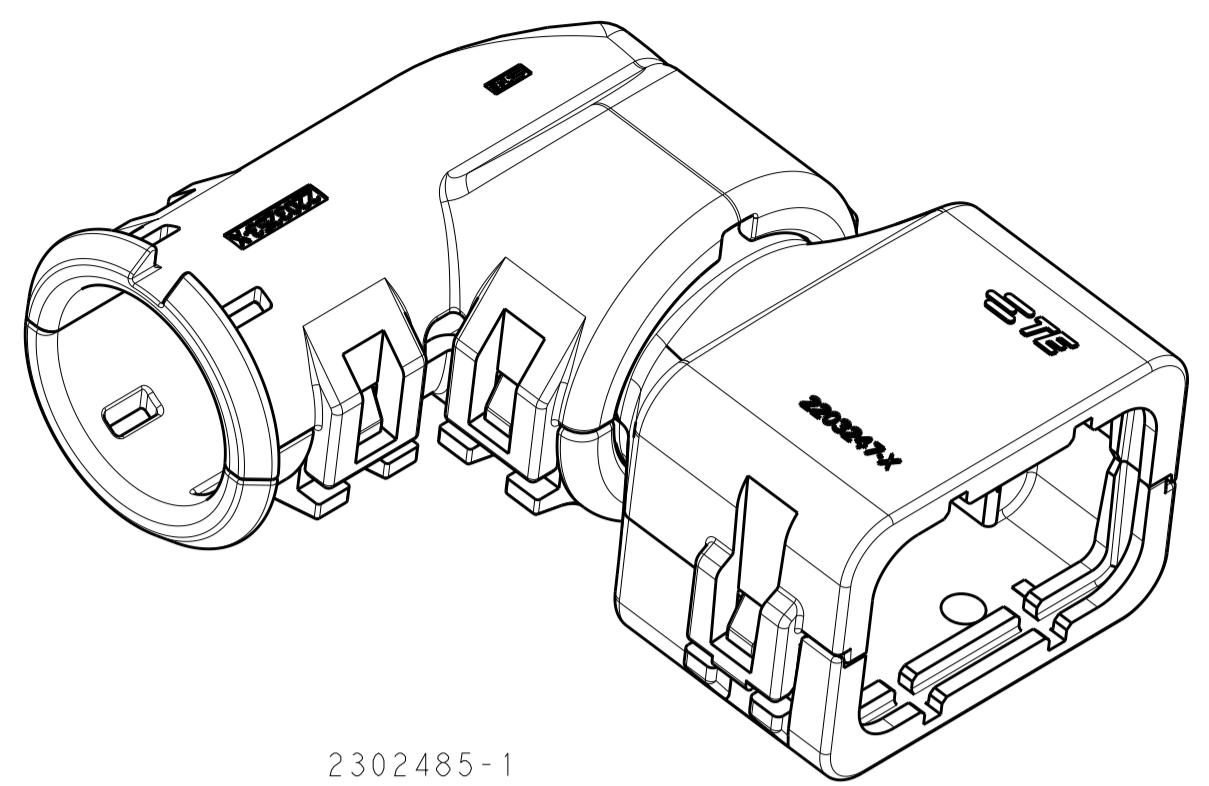
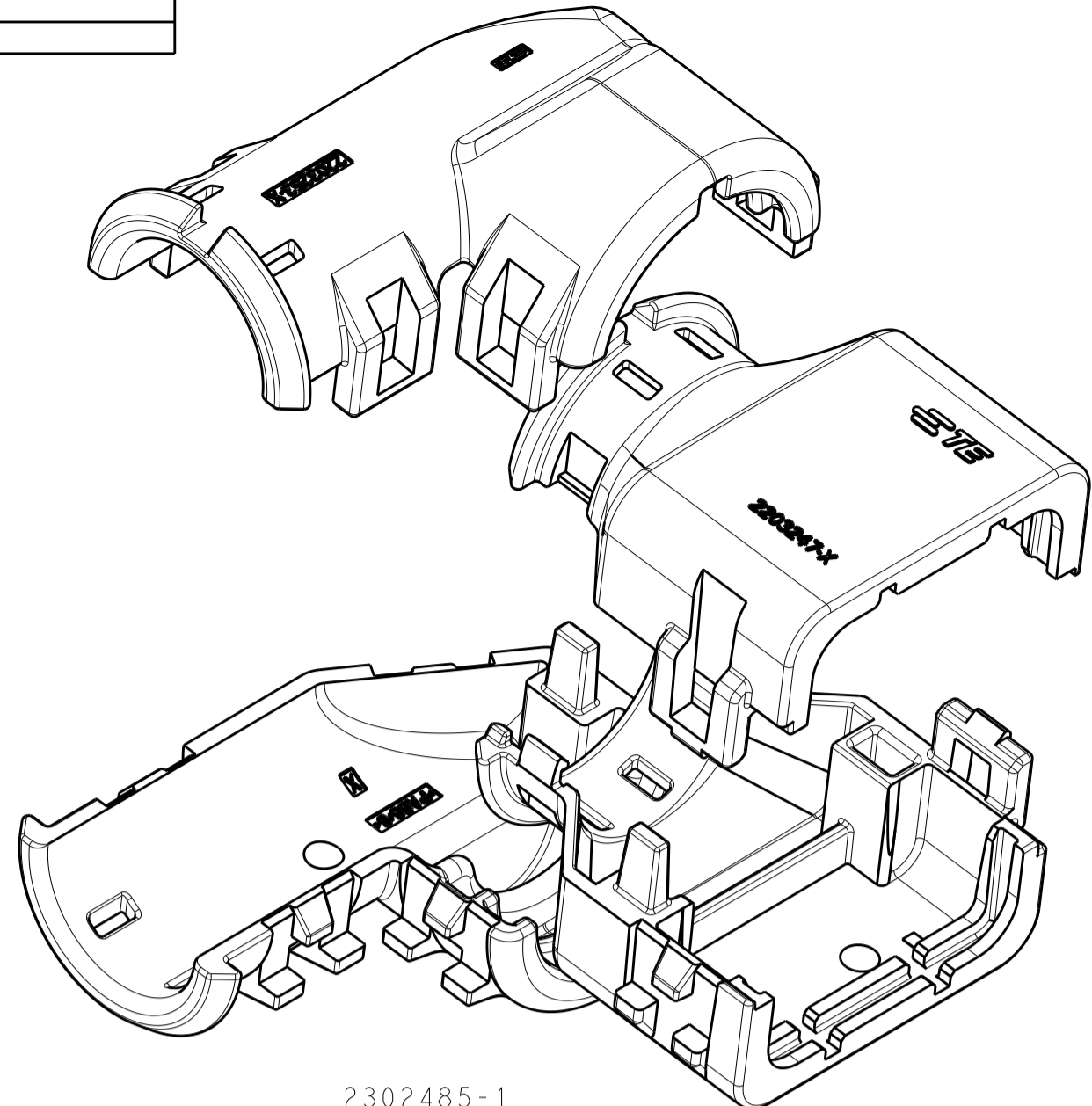


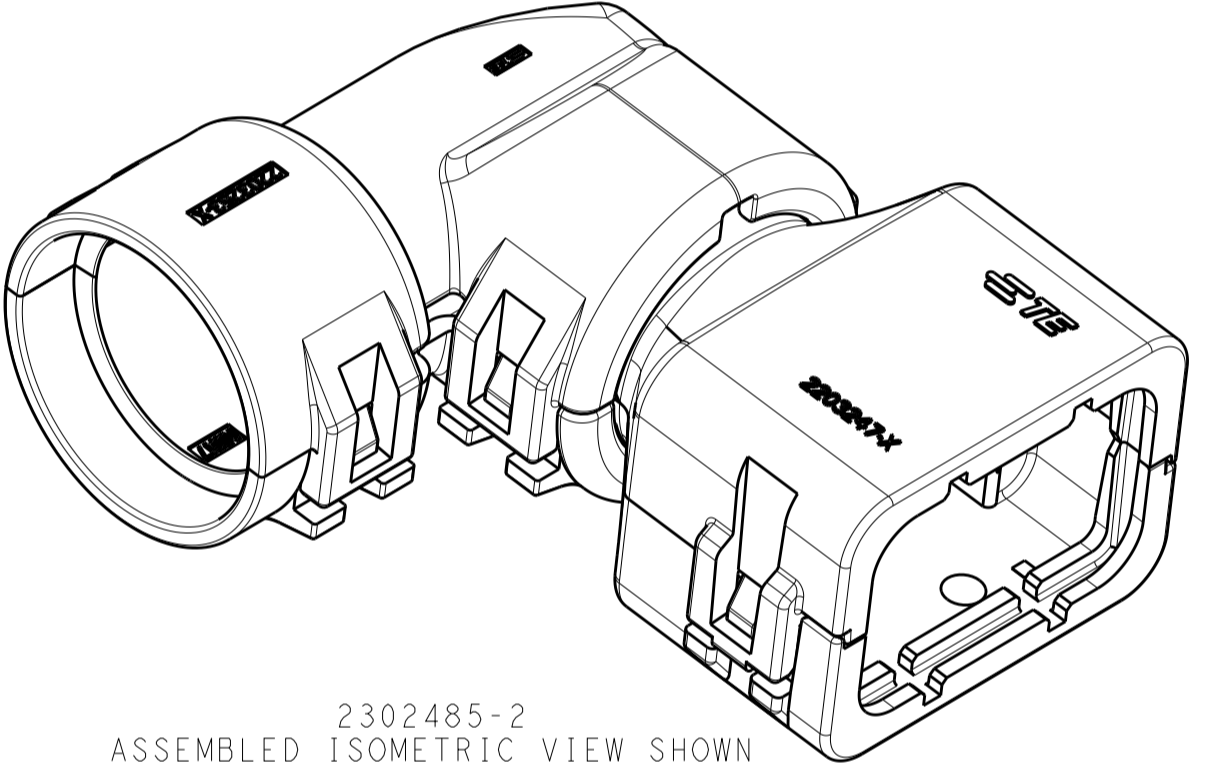
REVISIONS				
P.	LTN	DESCRIPTION	DATE	OWN APVD
A		RELEASED PER ECO-16-008203	01JUN2016	JM RB
A2		REV PER ECO-16-013256	08SEP2016	JM RB



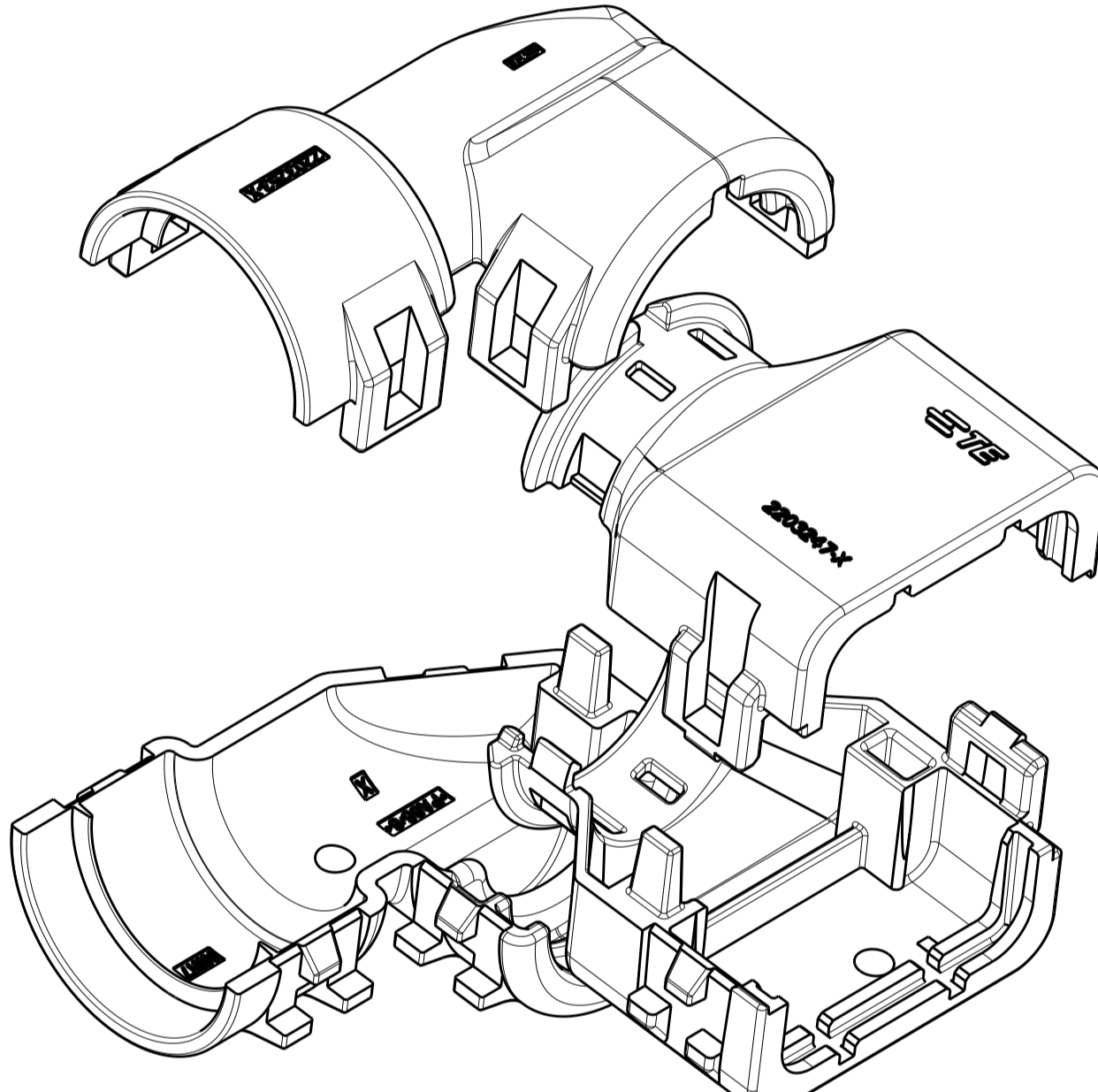
2302485-1
ASSEMBLED ISOMETRIC VIEW SHOWN



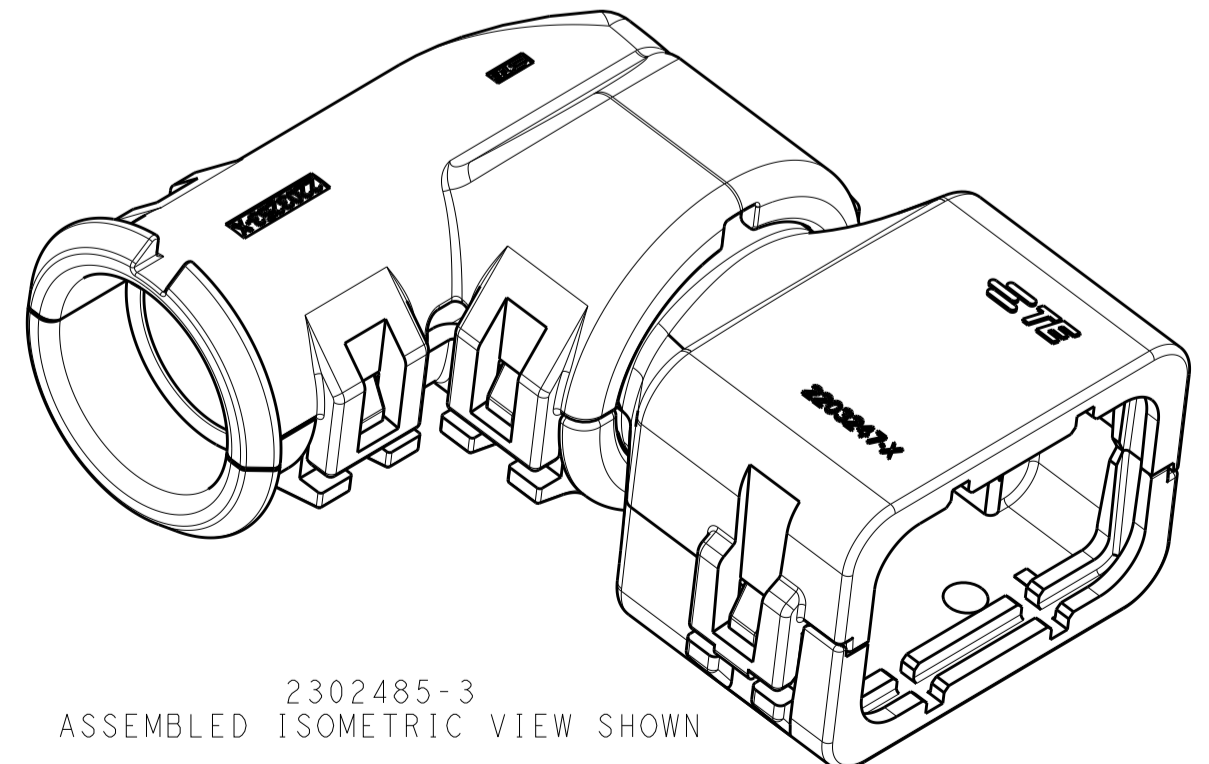
2302485-1
EXPLODED ISOMETRIC VIEW SHOWN



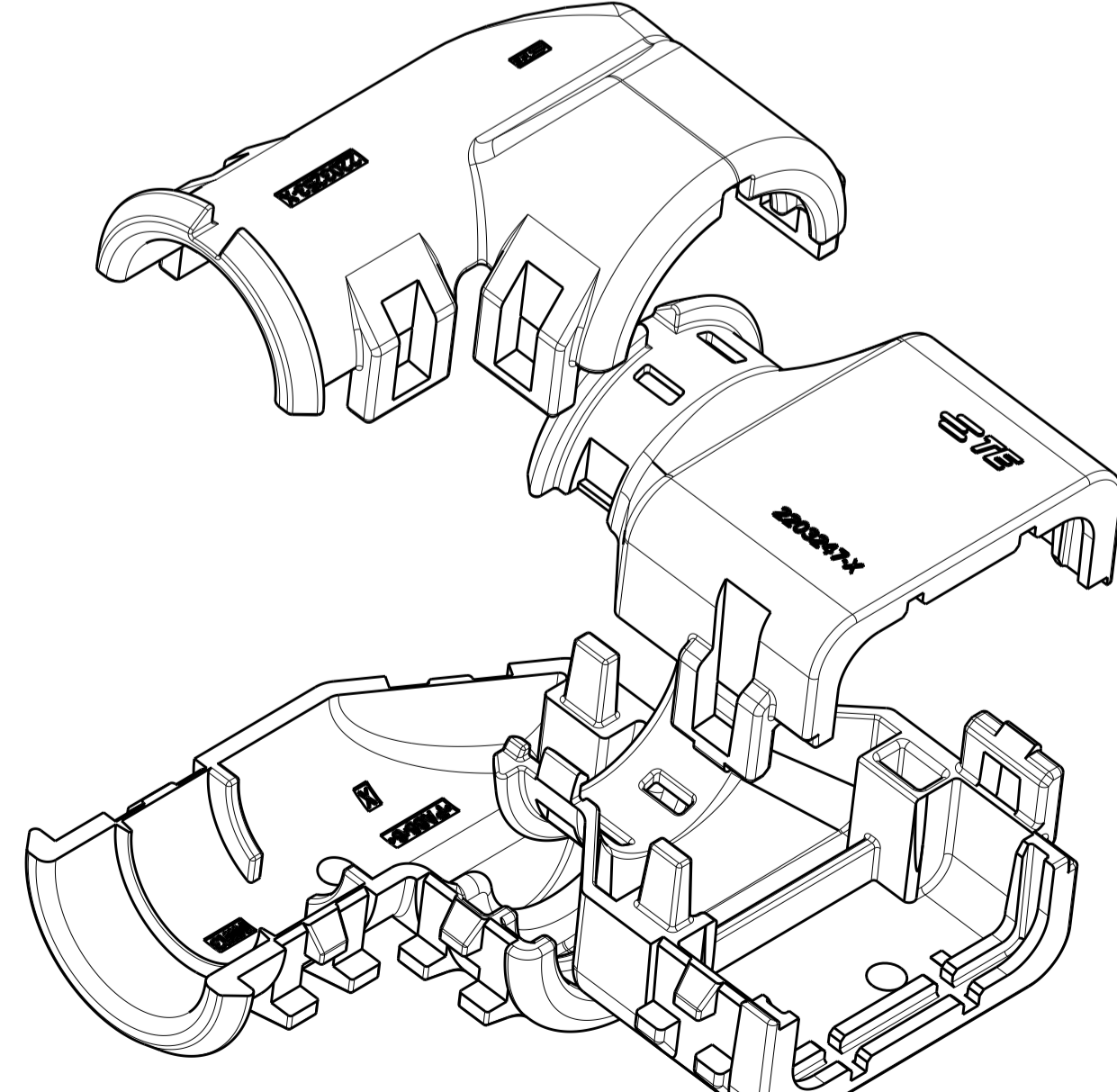
2302485-2
ASSEMBLED ISOMETRIC VIEW SHOWN



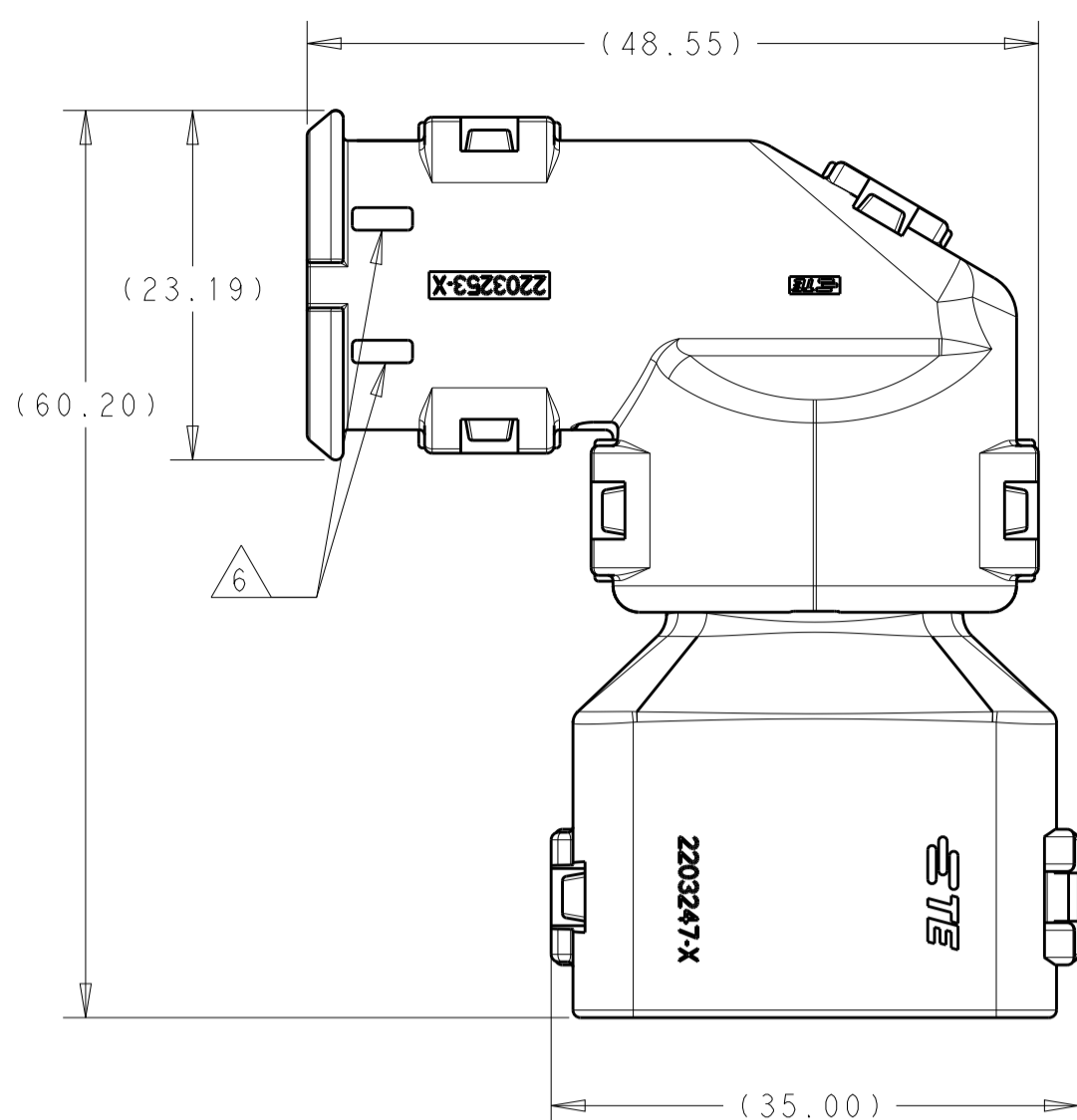
2302485-2
EXPLODED ISOMETRIC VIEW SHOWN



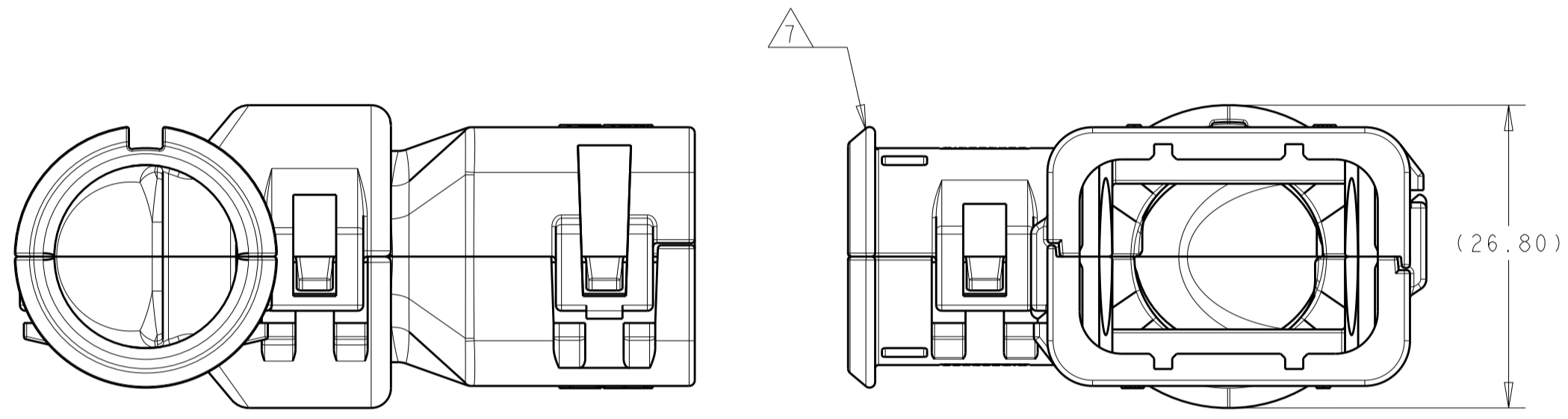
2302485-3
ASSEMBLED ISOMETRIC VIEW SHOWN



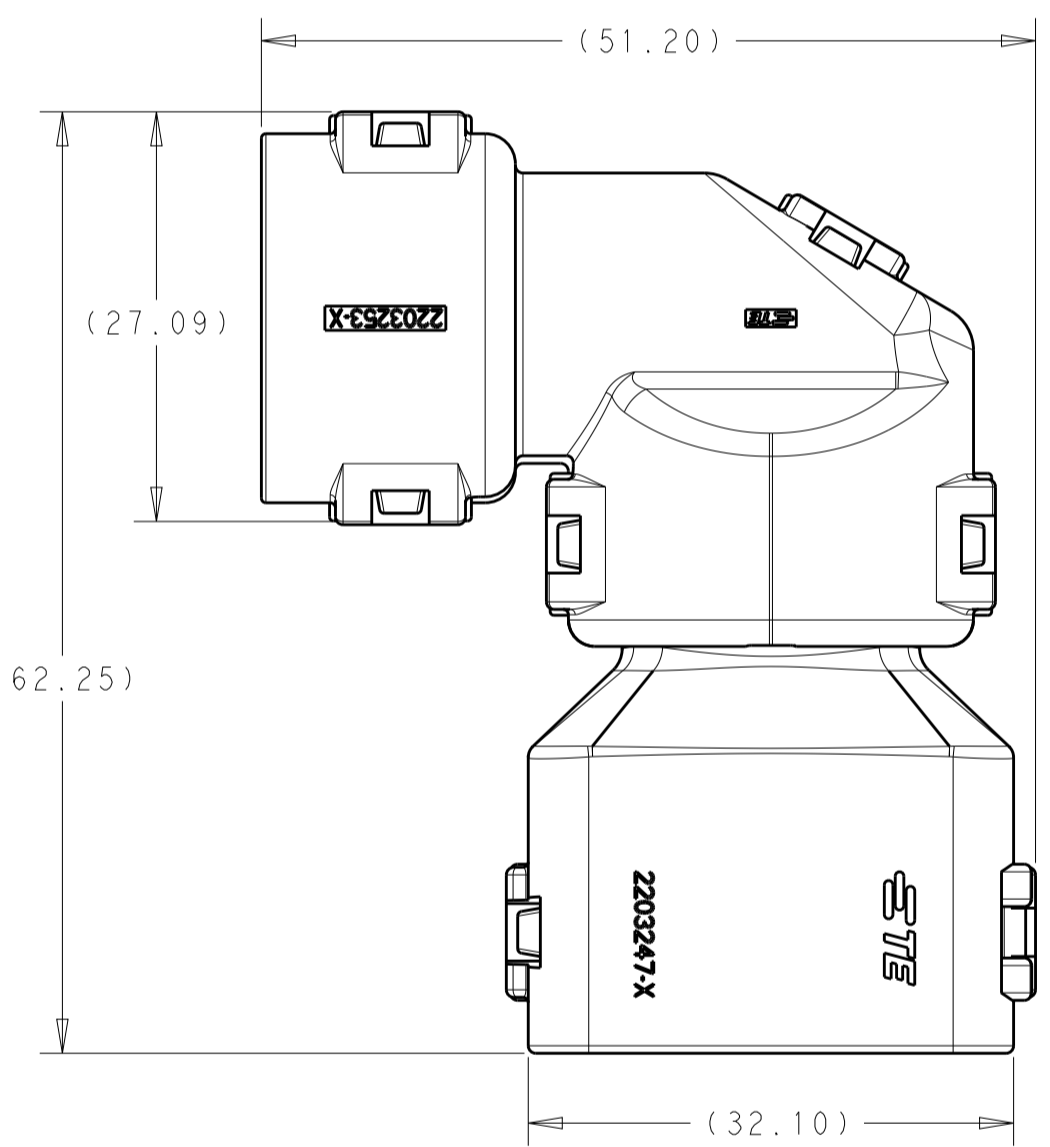
2302485-3
EXPLODED ISOMETRIC VIEW SHOWN



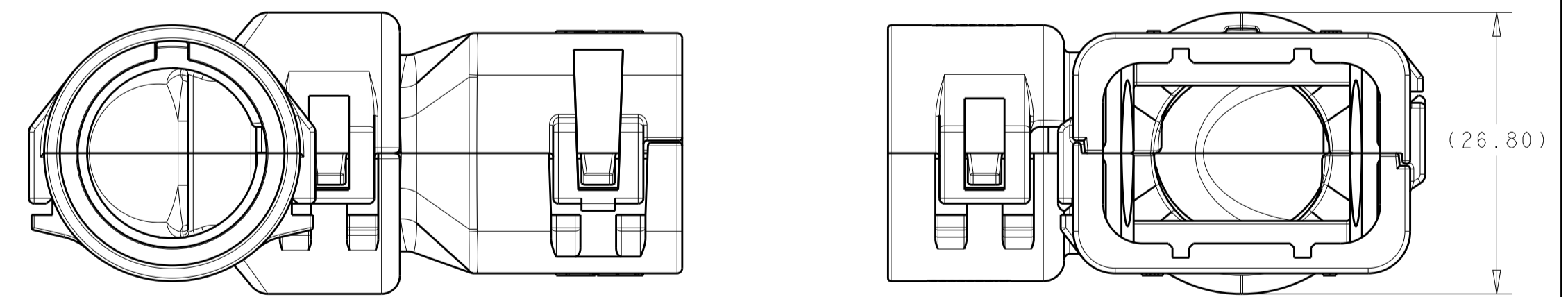
2302485-1
ASSEMBLED VIEW SHOWN
DIMENSIONS SHOWN TYPICAL FOR 2302485-1 AND -3



- 1 MATERIAL: NYLON MOLDING COMPOUND, BLACK, PA66/6.
- 2 BACKSHELL DESIGNED SUCH THAT TWO HALVES ATTACH TO ONE ANOTHER AND CLAMP AROUND THE CONNECTOR COVER.
- 3 ELBOW DESIGNED SUCH THAT TWO HALVES ATTACH TO ONE ANOTHER AND CLAMP AROUND THE BACKSHELL COLLAR.
- 4 DIMENSIONS TO BE MEASURED WHEN ELBOWS AND BACKSHELLS ASSEMBLED.
- 5 PRODUCT WEIGHTS:
2302485-1: 14.15g ASSEMBLED
2302485-2: 14.60g ASSEMBLED
2302485-3: 14.35g ASSEMBLED
- 6 4MM WIDE SLOTS FOR TIE WRAP TO SECURE HARNESS WIRES (-1 ONLY).
- 7 HEAT SHRINK TUBING FEATURE (-1 AND -3 ONLY).
- 8 INSTRUCTION SHEET: 408-151043.
- 9 CONDUIT PROFILE: NORMAL ONLY.



2302485-2
ASSEMBLED VIEW SHOWN
DIMENSIONS SHOWN FOR 2302485-2 ONLY



FITS ON CAP ASSY	CORREGATE NC	CORREGATE NW	PART NUMBER
776495-X	NC16	NW13	2302485-3
776538-X	NC20	NW17	2302485-2
	SMOOTH	SMOOTH	2302485-1

THIS DRAWING IS A CONTROLLED DOCUMENT.		OWN: J. MCNEAL 26APR2016	TE Connectivity	
DIMENSIONS:		CHK: R. BALTER 26APR2016	NAME: BACKSHELL AND ELBOW KIT, 8 POSN CAP ASSY, AMPSEAL 16	
mm	0 PLC ±	APVD: R. BALTER 26APR2016	PRODUCT SPEC: 108-151043	
	1 PLC ±		APPLICATION SPEC: -	
	2 PLC ±		SIZE: A1	
	3 PLC ±		CAGE CODE: 00779	
	4 PLC ±		DRAWING NO: 2302485	
	ANGLES ±		RESTRICTED TO: -	
MATERIAL: 1	FINISH: -	WEIGHT: 5	SCALE: 2:1	
CUSTOMER DRAWING		SHEET 1 OF 1		REV: A2

单击下面可查看定价，库存，交付和生命周期等信息

[>>TE Connectivity\(泰科\)](#)