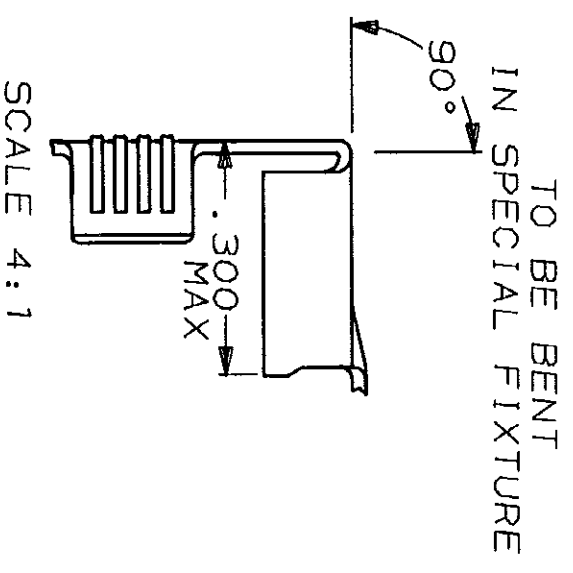
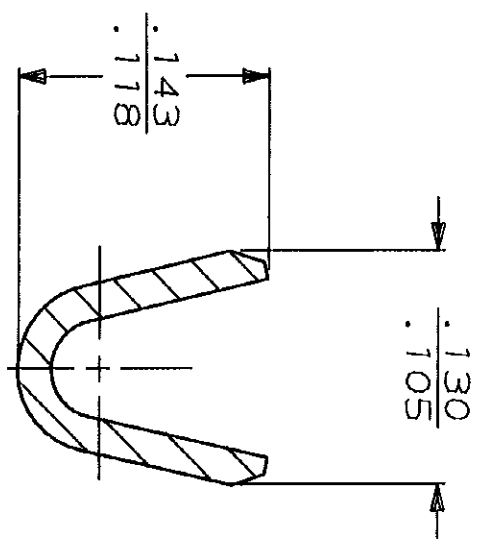
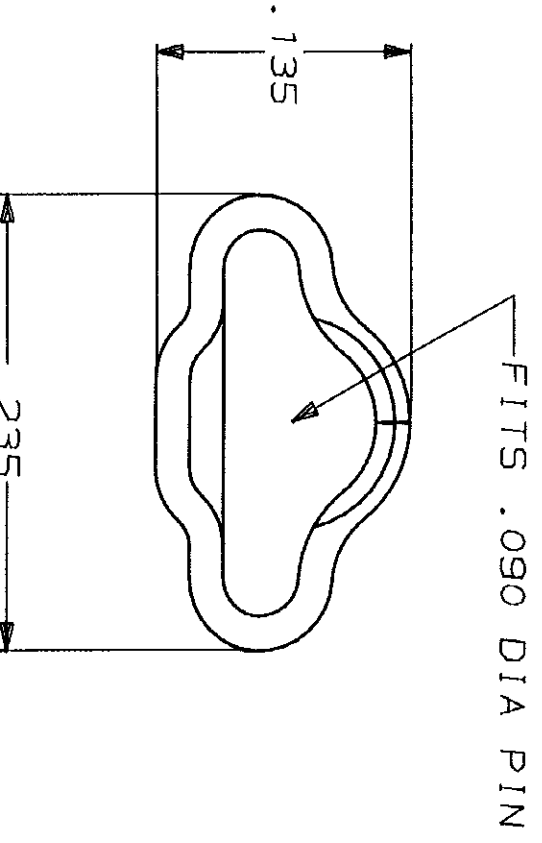
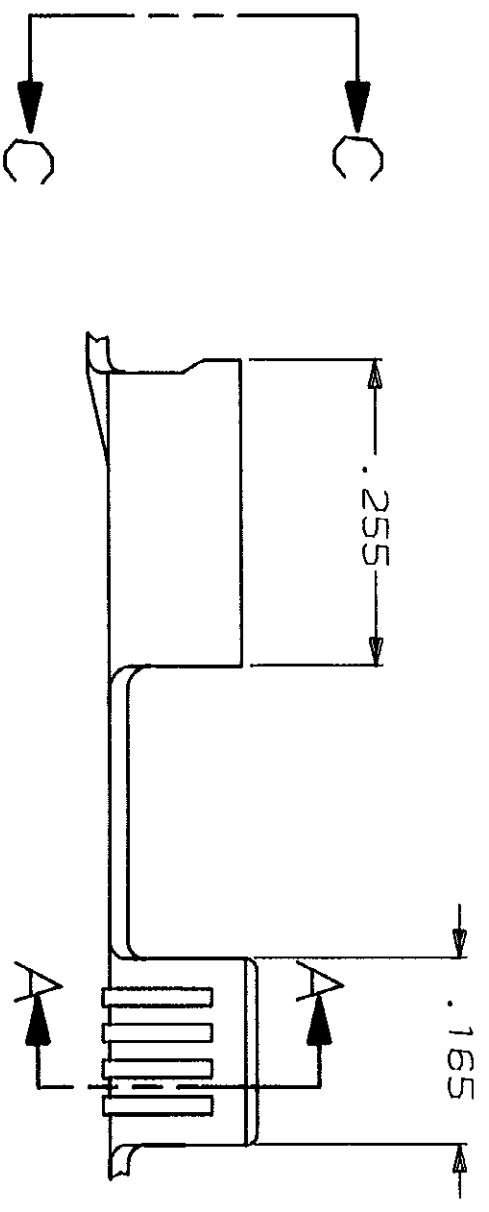
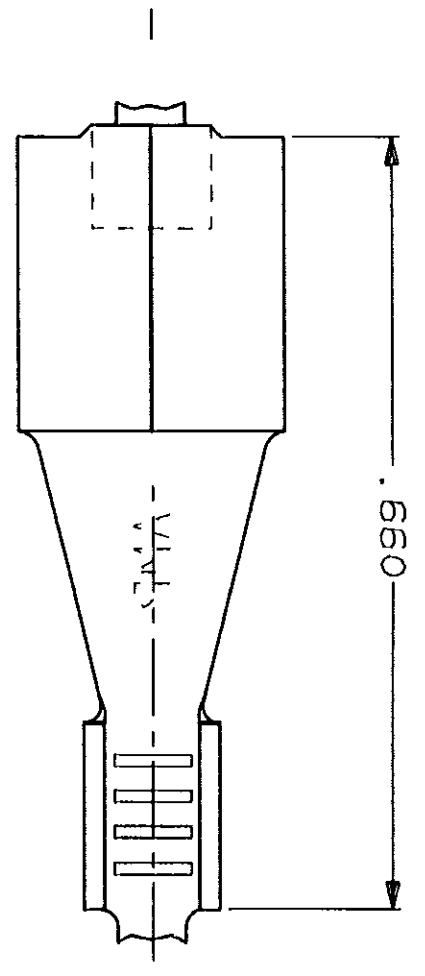


LOC	DIST	P	F	ZONE	LTR	REVISIONS	DESCRIPTION	DATE	APPD
AF	50				C	1	REDRAWN PER AF-6482	4/11/90	PPF/JR



SCALE 4:1

VIEW C-C  
SCALE 10:1

SECTION A-A  
SCALE 10:1

1 CONTINUOUS STRIP ON REELS

STRIP LENGTH ±.015	TYPE	WIDTH	HEIGHT ±.002	WIRE
.225	F	.090	.074	16
			.067	18
			.062	20

DO NOT SCALE PRINT. UNLESS SPECIFIED DIMENSIONS IN INCHES TOLERANCES ON:  
 1. PLC DEC ± .015  
 2. PLC DEC ± .015  
 3. PLC DEC ± .015  
 ANGLES  
 MATERIAL #3 HARD PHOS BRONZE  
 FINISH .00080 MIN TIN PL PER MIL-T-10727

DR	DATE	APPD	CHK	DATE
P FORTNEY	4/11/90		JR RUTH	4/11/90
G VETTER	4/11/90		R KIZO	4/11/90

20-16 AWG	60733-1
WIRE RANGE	PART NO
<b>AMP</b>	AMP Incorporated Harrisburg, PA 17105-3608
NAME PIN RECEPTACLE, .090 DIA	
SIZE <b>B</b>	CAGE CODE
00779	60733
SCALE 6:1	DRAWING NO
	60733
	SHEET
	1 OF 1

单击下面可查看定价，库存，交付和生命周期等信息

[>>TE Connectivity\(泰科\)](#)