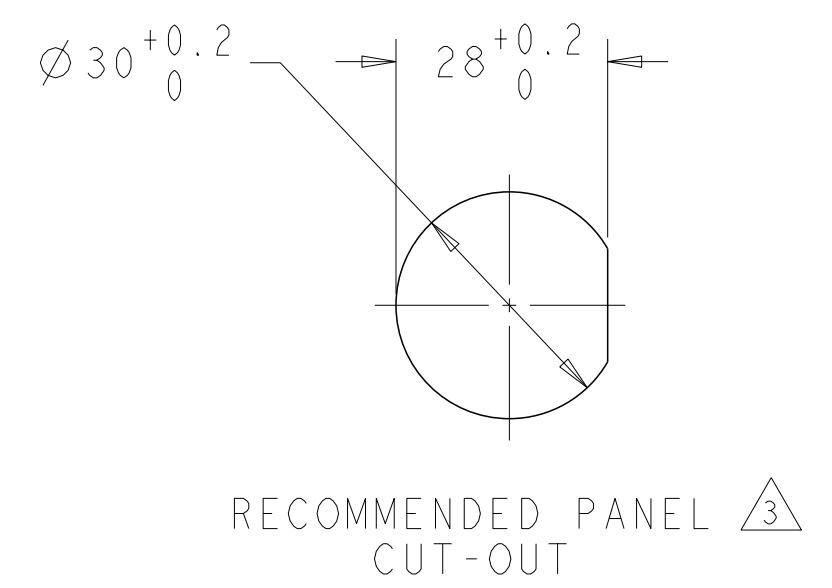
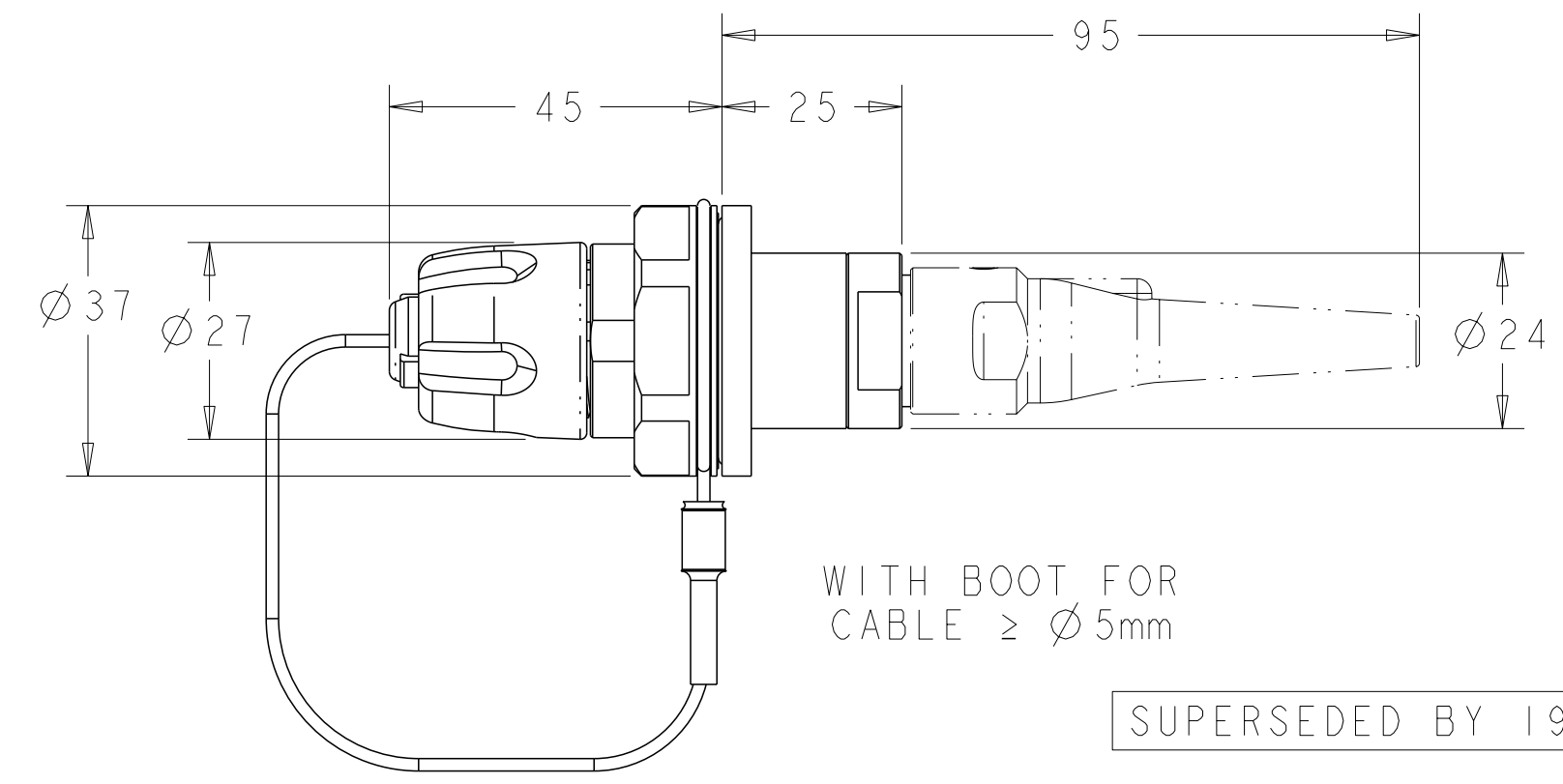
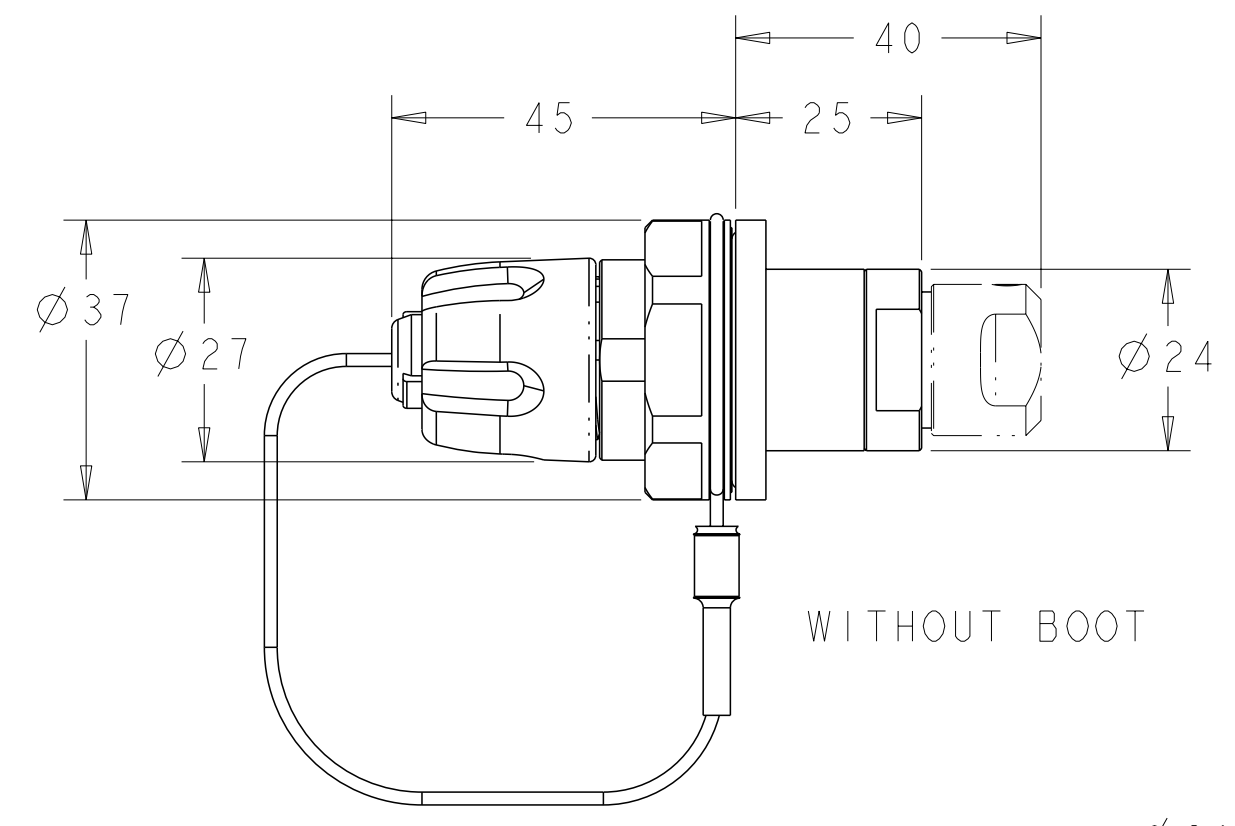
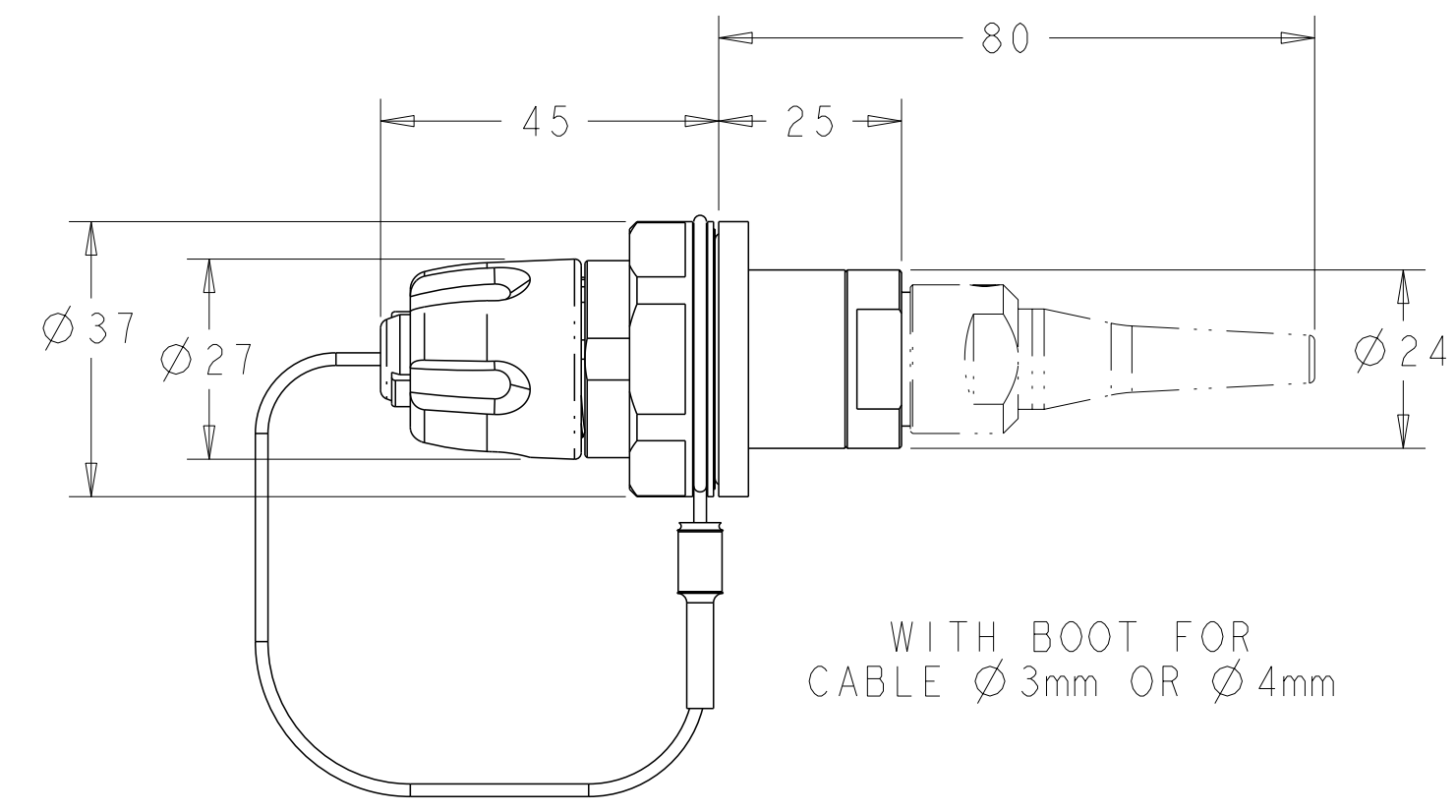


THIS DRAWING IS UNPUBLISHED. RELEASED FOR PUBLICATION 20
 © COPYRIGHT 20 BY - ALL RIGHTS RESERVED.

REVISIONS				
P	LTR	DESCRIPTION	DATE	APVD
B		ECR-17-013282	19SEP2017	KG DW
BI		ECO-21-003943	30MAR2021	LN DW

- ASSEMBLY SHOWN FOR REFERENCE ONLY. SHIPPED LOOSE PIECE AS SHOWN ON PAGE 2.
- ALL ASSEMBLY DIMENSIONS ARE FOR REFERENCE ONLY.
- △** PANEL THICKNESS: 1mm MINIMUM, 6.5mm MAXIMUM. TIGHTEN PANEL NUT OF INSTALLED CONNECTOR TO 40 N-m (29.5 FT-LB) FOR BEST PERFORMANCE.
- COMPLETE THE CONNECTOR ASSEMBLY BY ADDING EACH OF THE FOLLOWING PRO BEAM JR KITS:
 - EXPANDED BEAM INSERT ASSEMBLY KIT
 - CABLE ADAPTER KIT, SIZED TO THE CABLE JACKET DIAMETER
 - FERRULE KIT, ONE PER FIBER



SUPERSEDED BY 1918941-2	CONDUCTIVE BLACK ZINC NICKEL	ALUMINUM	1918939-3
	NONE	NICKEL ALUMINUM BRONZE	1918939-2
	NON-CONDUCTIVE HARD ANODIZE	ALUMINUM	1918939-1
	HOUSING PLATING	HOUSING ALLOY	PART NUMBER

VIEWS SHOWN WITH CABLE ADAPTER VARIATIONS IN PHANTOM LINES FOR VISUAL AND DIMENSIONAL PURPOSES ONLY

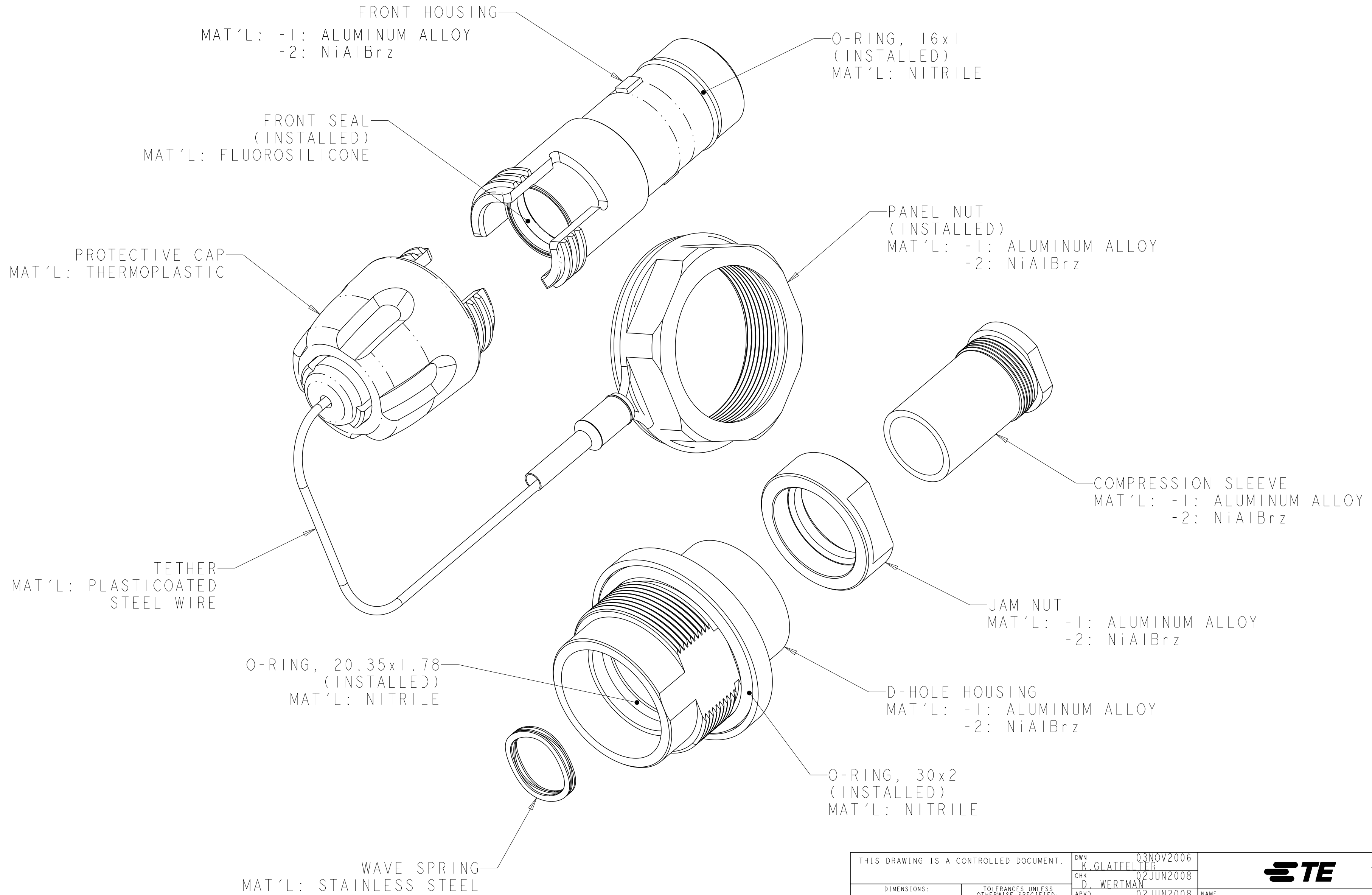
THIS DRAWING IS A CONTROLLED DOCUMENT.		DWN K. GLATFELTER 03NOV2006	STE TE Connectivity	
		CHK D. WERTMAN 02JUN2008		
		APVD D. WERTMAN 02JUN2008	NAME CONNECTOR SHELL KIT, STD D-HOLE BULKHEAD, PRO BEAM JR.	
DIMENSIONS: mm		TOLERANCES UNLESS OTHERWISE SPECIFIED:	SIZE CAGE CODE DRAWING NO RESTRICTED TO	
0 PLC ±-		1 PLC ±-	A200779C-1918939	
2 PLC ±-		2 PLC ±-	SCALE 1:1 SHEET 1 OF 2 REV BI	
3 PLC ±-		3 PLC ±-		
4 PLC ±-		4 PLC ±-		
ANGLES ±-		FINISH ±-		
MATERIAL -		WEIGHT -		
		CUSTOMER DRAWING		

Printed on 30 Mar 2021 13:35 (India Standard Time) from IE397707

THIS DRAWING IS UNPUBLISHED. RELEASED FOR PUBLICATION 20
 © COPYRIGHT 20 BY - ALL RIGHTS RESERVED.

REVISIONS				
P	LTR	DESCRIPTION	DATE	APVD
-	-	SEE SHEET 1	-	-

1. SHIPPED LOOSE PIECE AS SHOWN.



THIS DRAWING IS A CONTROLLED DOCUMENT.		DWN K. GLATFELTER 03NOV2006	TE Connectivity
DIMENSIONS: mm		CHK D. WERTMAN 02JUN2008	
		APVD D. WERTMAN 02JUN2008	
TOLERANCES UNLESS OTHERWISE SPECIFIED:		PRODUCT SPEC	NAME CONNECTOR SHELL KIT, STD D-HOLE BULKHEAD, PRO BEAM JR.
0 PLC ±	1 PLC ±	APPLICATION SPEC	SIZE
2 PLC ±	3 PLC ±	WEIGHT	CAGE CODE
4 PLC ±	ANGLES ±	CUSTOMER DRAWING	DRAWING NO
FINISH		SCALE 1:1	RESTRICTED TO
MATERIAL AS LISTED		SHEET 2 OF 2	REV B1

Printed on 30 Mar 2021 13:35 (India Standard Time) from IE397707

单击下面可查看定价，库存，交付和生命周期等信息

[>>TE Connectivity\(泰科\)](#)