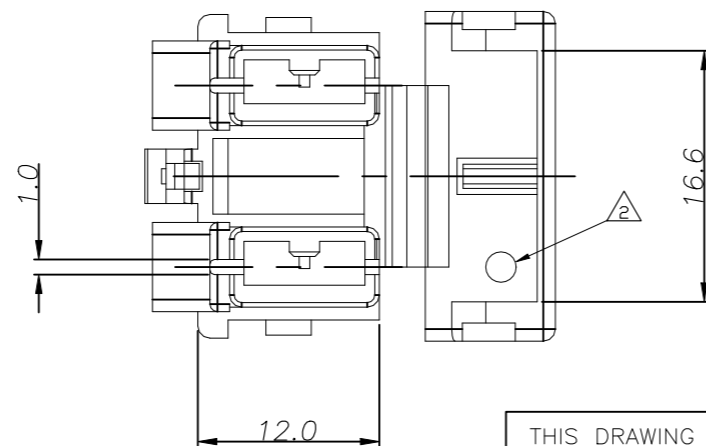
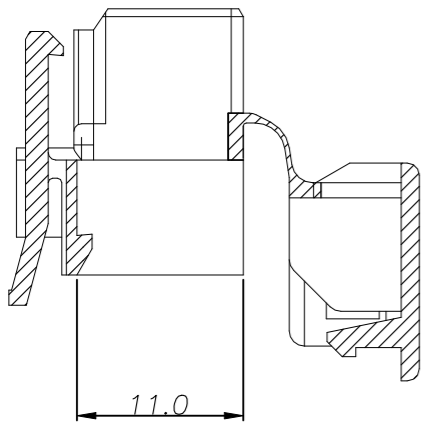
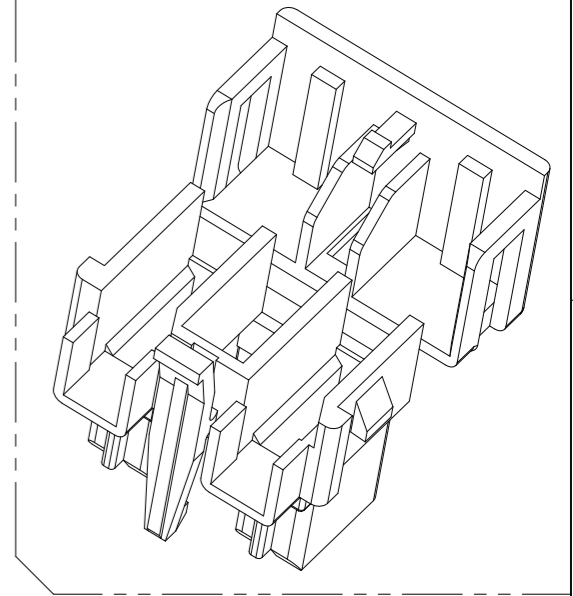
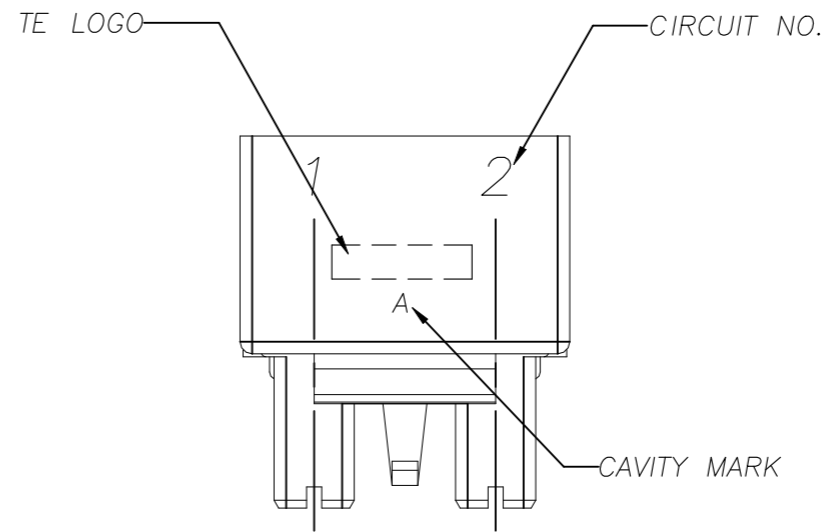
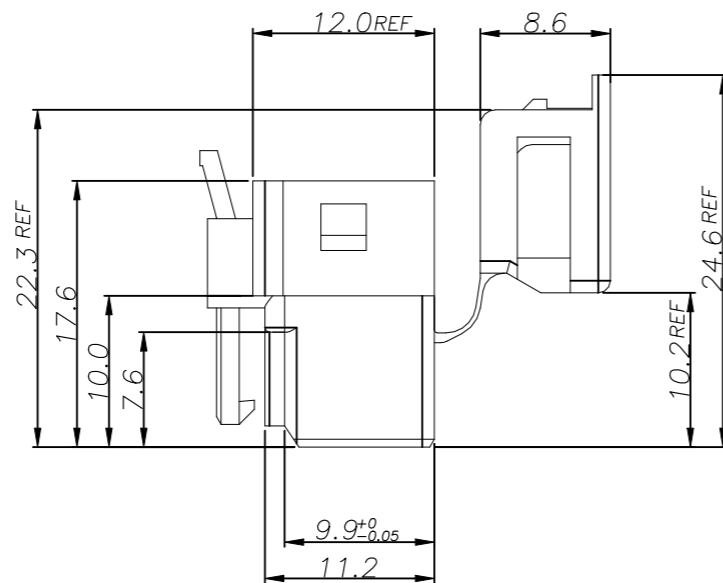
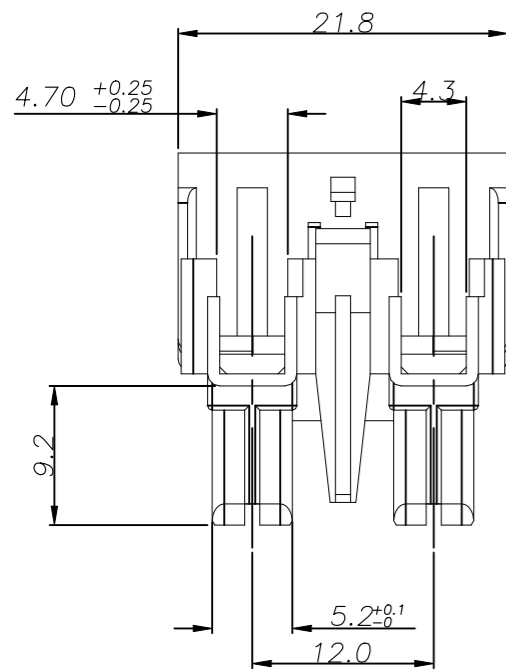
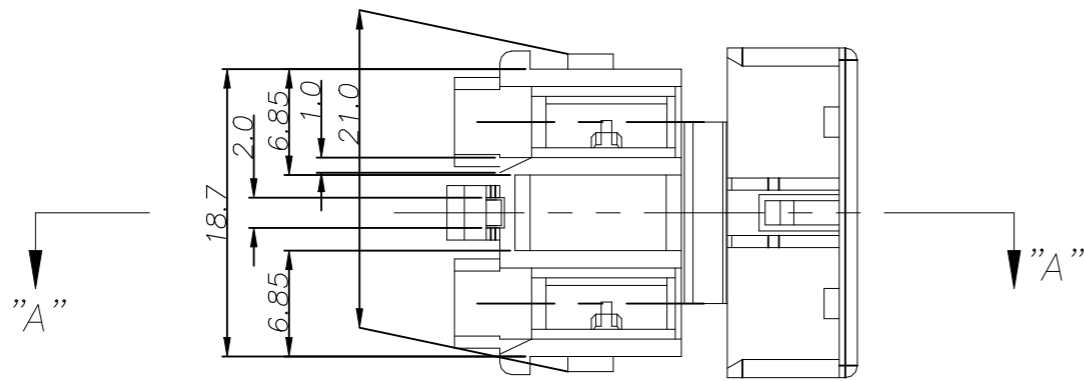


P	LTR	DESCRIPTION	DATE	DWN	APVD
F1		REVISED PER ECR-21-102474	11MAY2021	SS	EW



NOTES

- 1. APPLICABLE CONTACT P/N : 1743221-1
- △ DOT MARK TO DISTINGUISH GWT AND NON-GWT PARTS

WITH	P/N	MATERIAL	COLOR
1-1743165-8	6/6 NYLON(GWT)	BLUE	
1-1743165-5	6/6 NYLON(GWT)	YELLOW	
1-1743165-2	6/6 NYLON(GWT)	BLACK	
1-1743165-1	6/6 NYLON(GWT)	NATURAL	
WITHOUT			
1743165-8	6/6 NYLON	BLUE	
1743165-5	6/6 NYLON	YELLOW	
1743165-2	6/6 NYLON	BLACK	
1743165-1	6/6 NYLON	NATURAL	
DOT MARK	P/N	MATERIAL	COLOR

SECTION "A-A"

THIS DRAWING IS A CONTROLLED DOCUMENT.		DWN BH CHO	TE Connectivity 250 FLAG P-LOCK (PITCH = 12mm) 2P WITH LOCK TYPE				
DIMENSIONS: mm		CHK -				APVD BW KANG	
TOLERANCES UNLESS OTHERWISE SPECIFIED:		PRODUCT SPEC 108-61065				NAME	
0 PLC ± - 1 PLC ± 0.2 2 PLC ± 0.25 3 PLC ± - 4 PLC ± - ANGLES ± 3		APPLICATION SPEC -					
MATERIAL SEE TABLE		FINISH SEE TABLE		SIZE -	CAGE CODE A300779	DRAWING NO C-1743165	RESTRICTED TO -
CUSTOMER DRAWING				WEIGHT 0	SCALE 1:2	SHEET 1 OF 1	REV F1

单击下面可查看定价，库存，交付和生命周期等信息

[>>TE Connectivity\(泰科\)](#)