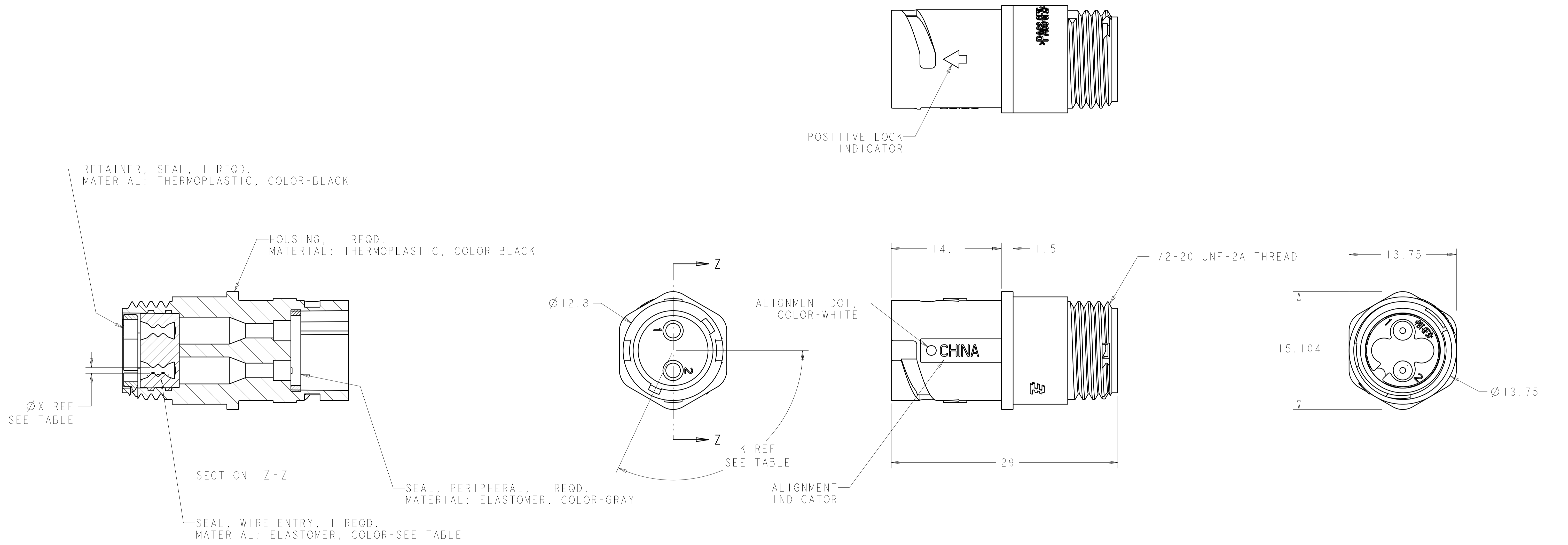


REVISIONS				
P.	LTN	DESCRIPTION	DATE	APVD
B2		REVISED PER ECO-15-010004	11JUL2015	NK MZ
C		REVISED PER ECO-16-018352	24MAR2017	RS MZ



OBSOLETE	YELLOW	Ø 0.75	130°	1445522-04
	NATURAL	Ø 1.5	115°	1445522-03
OBSOLETE	NATURAL	Ø 1.5	130°	1445522-02
	YELLOW	Ø 0.75	115°	1445522-01
	SEAL, WIRE ENTRY COLOR	ØX REF	K REF	PART NUMBER

THIS DRAWING IS A CONTROLLED DOCUMENT.		DWN S. WIEST 02MAY2001													
DIMENSIONS: mm		CHK G. DOUITY 02MAY2001													
TOLERANCES UNLESS OTHERWISE SPECIFIED:		APVD H. WAKEEM 12JUN2003	NAME ASSEMBLY, RECEPTACLE, SIZE 8, 2 POSITION, FREE HANGING, SEALED, MINI CPC												
<table border="1"> <tr> <td>0 PLC</td> <td>±</td> </tr> <tr> <td>1 PLC</td> <td>±0.5</td> </tr> <tr> <td>2 PLC</td> <td>±0.13</td> </tr> <tr> <td>3 PLC</td> <td>±0.013</td> </tr> <tr> <td>4 PLC</td> <td>±0.001</td> </tr> <tr> <td>ANGLES</td> <td>±0.0001</td> </tr> </table>		0 PLC	±	1 PLC	±0.5	2 PLC	±0.13	3 PLC	±0.013	4 PLC	±0.001	ANGLES	±0.0001	PRODUCT SPEC	SIZE A100779C=1445522
0 PLC	±														
1 PLC	±0.5														
2 PLC	±0.13														
3 PLC	±0.013														
4 PLC	±0.001														
ANGLES	±0.0001														
MATERIAL SEE CALLOUT		APPLICATION SPEC	RESTRICTED TO												
FINISH SEE CALLOUT		WEIGHT	SCALE 4:1 SHEET 1 OF 1 REV C												
CUSTOMER DRAWING															

单击下面可查看定价，库存，交付和生命周期等信息

[>>TE Connectivity\(泰科\)](#)