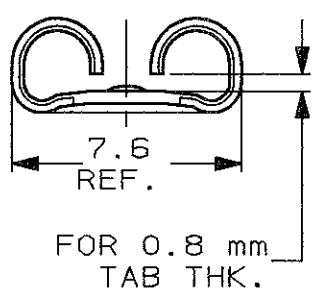
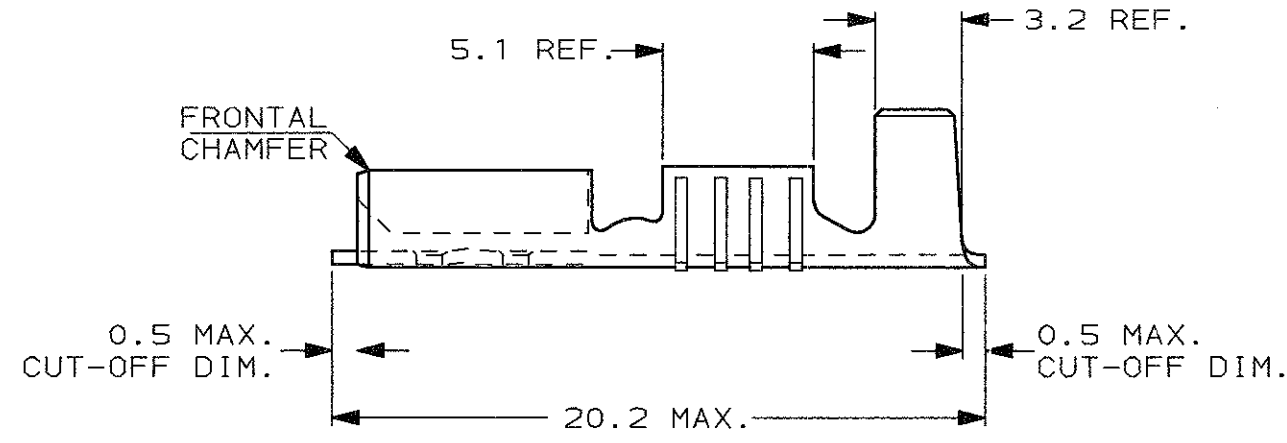
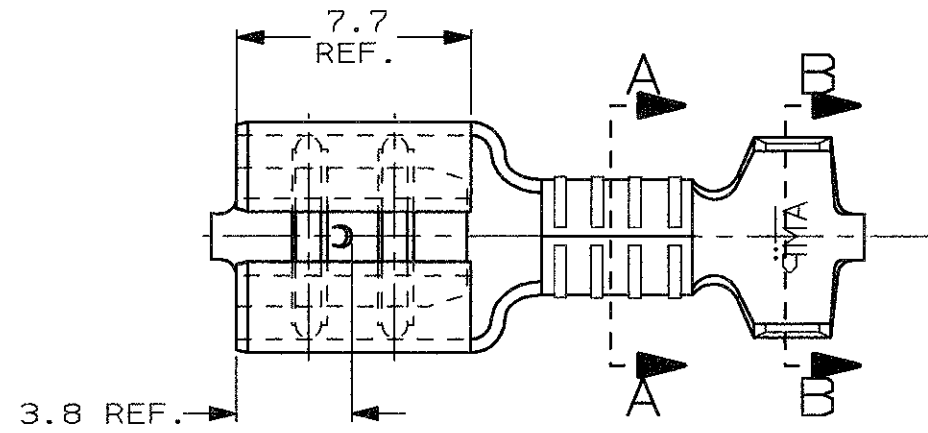


SCALA NON IMPEGNATIVA
(DO NOT SCALE)
DIMENSIONI IN mm
(DIMENSIONS IN mm)

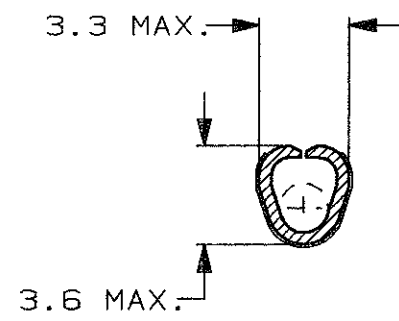
METRIC

THIRD ANGLE
PROJECTION

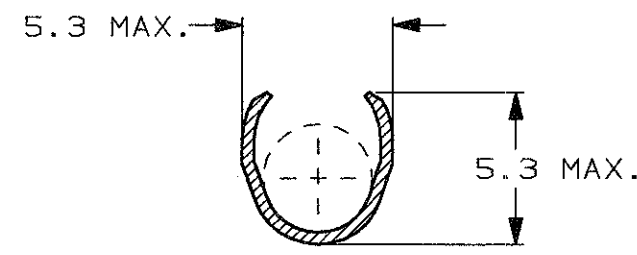


1) PER LE VERSIONI IN NASTRO
VEDERE DISEGNO 160256
(FOR STRIP FORM VERSION SEE DRAWING 160256)

SEZIONE A-A
SECTION A-A



SEZIONE B-B
SECTION B-B



OBSOLETE

PRE NICHELATO (PRE NICKELPLATED)	ACCIAIO (STEEL)	2-160304-4	Y
STAGNATO (TIN PLATED)	BRONZO FOS. (PHOS. BRONZE)	1-160304-8	Y
ARGENTATO (SILVER PLATED)	OTTONE (BRASS)	1-160304-7	Y
NUDO (PLAIN)	BRONZO FOS. (PHOS. BRONZE)	1-160304-5	Y
STAGNATO (TIN PLATED)	OTTONE (BRASS)	1-160304-2	Y
NUDO (PLAIN)	OTTONE (BRASS)	1-160304-0	Y
FINITURA / COLORE (FINISH / COLOUR)	MATERIALE (MATERIAL)	NUMERO (PART NUMBER)	REV

CUSTOMER DWG. FOR REFERENCE ONLY **DISEGNO PER CLIENTE SOLO PER RIFERIMENTO**

THIS DRAWING IS UNPUBLISHED. RELEASE FOR PUBLICATION 19

© COPYRIGHT 19 BY TE INCORPORATED, HARRISBURG, PA. ALL INTERNATIONAL RIGHT RESERVED. TE PRODUCTS MAY BE COVERED BY U.S. AND FOREIGN PATENT AND/OR PATENT PENDING

TOLLERANZE: SE NON DIVERSAMENTE SPECIFICATO (TOLERANCES, UNLESS OTHERWISE SPECIFIED)	DIAM. ISOLANTE (INS. DIA. RANGE)	RANGO FILO (WIRE RANGE)	SCALA (SCALE)
± 0.3	3.0-4.3	1.0-2.5	4:1

ANGOLI (ANGLES) ± 2°

TE TE Connectivity

DIS. H. YAALI (DR.) 15 SEP 2000

DESCRIZIONE (DESCRIPTION) **FASTON® Connector, .250" sr. REC. CONTACT. (LOOSE PIECE VERSION)**

REV. Y1	ECR-10-022530	KK	02FEB11	CONT. C. TARTARI (CHK) 15 SEP 2000	LOC. I	SIZE A3	NUMERO (DWG NO) C-160304	REV. Y1	FOGLIO (SHEET) 1
Y	OBSOLETE PARTS & REDRAWN ET00-0246-00	H. Y.	02 JAN 2001	APP. (APP.)					
REV. (REV.)	REVISIONI (REVISION RECORD)	DIS. (DR)	DATA (DATE)	APP. (APP.)					

DISTRIBUZIONE (PRINT DIST.)

单击下面可查看定价，库存，交付和生命周期等信息

[>>TE Connectivity\(泰科\)](#)