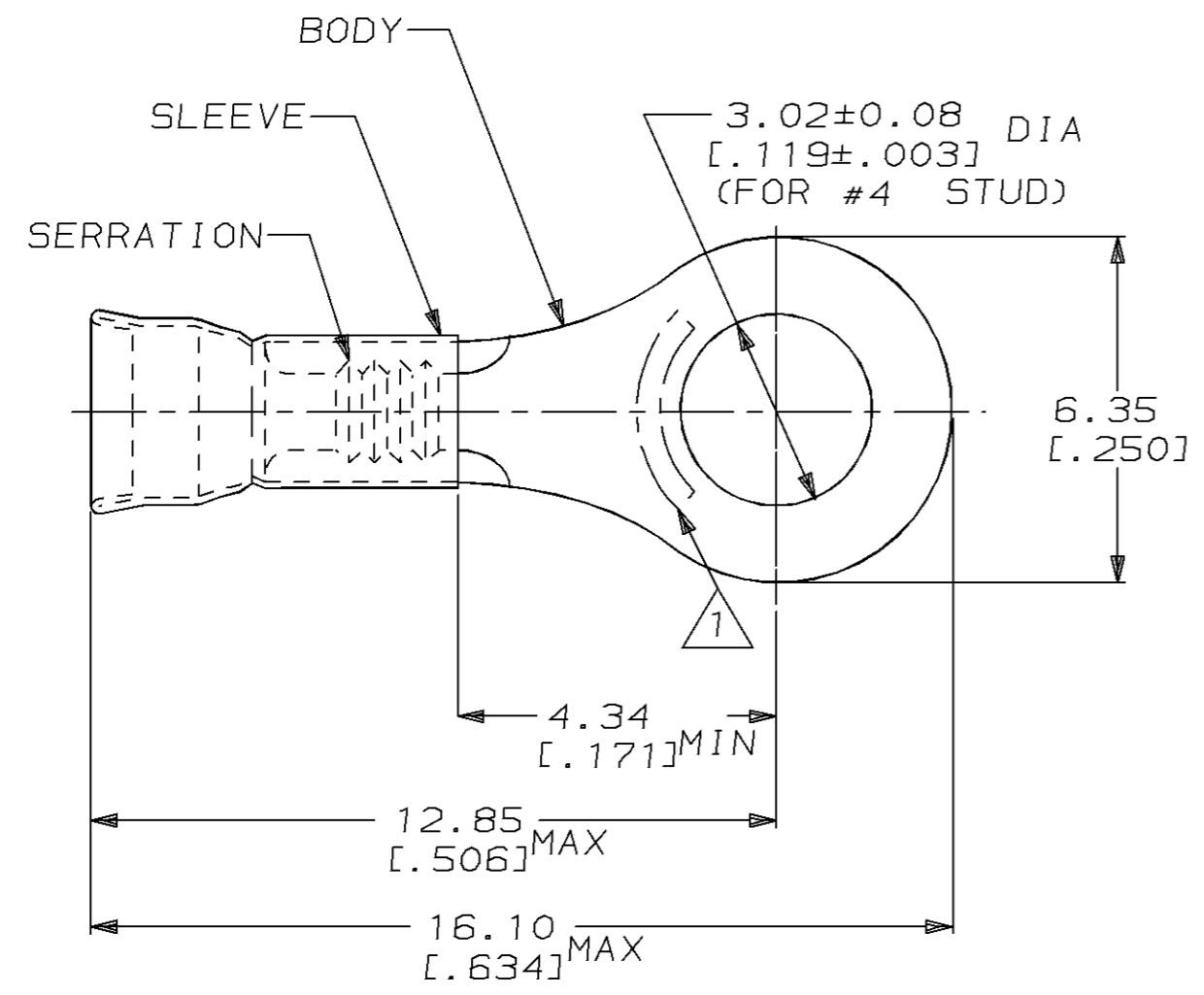


THIS DRAWING IS UNPUBLISHED. RELEASED FOR PUBLICATION ,19 .
 © COPYRIGHT 19 BY AMP INCORPORATED. ALL RIGHTS RESERVED.

LOC	DIST	REVISIONS			
P	LTR	DESCRIPTION	DATE	DWN	APVD
G	14	D	REDRAWN PER 0720-0470-95	23JAN95	LO ME

AMP WIRE RANGE	UL E13288	SR LR7189 Certified
16-14 AWG SOLID OR STRANDED	16-14 AWG SOLID OR STRANDED	16-14 AWG SOLID OR STRANDED



△ STAMP AMP 16-14* LOCATE APPROX AS SHOWN

- 2. WIRE INSUL DIA, 2.92-4.32 [.115-.170]
- 3. TONGUE MATL THK, 0.79±0.05 [.031±.002]

-	-	-
1000	LOOSE PIECE	32189
QTY	PACKAGE TYPE	PART NO

AMP INCORPORATED CUSTOMER SERVICE SYSTEM		MAX RECOMMENDED OPERATING TEMPERATURE: 170°C [338°F]	THIS DRAWING IS A CONTROLLED DOCUMENT FOR AMP INCORPORATED. IT IS SUBJECT TO CHANGE AND THE CONTROLLING ENGINEERING ORGANIZATION SHOULD BE CONTACTED FOR THE LATEST REVISION.		DWN L OLMEDA 23JAN95	AMP AMP Incorporated Harrisburg, PA 17105-3608	
FOR ADDITIONAL PRODUCT INFORMATION OR COPIES OF DRAWINGS AND TECHNICAL DOCUMENTS	PRODUCT INFORMATION CENTER 1-800-522-6752		DIMENSIONS: mm [in]	TOLERANCES UNLESS OTHERWISE SPECIFIED:	CHK M ELLIS 23JAN95		APVD S BORTNER 23JAN95
FOR APPLICATION TOOLING INFORMATION	TOOLING ASSISTANCE CENTER 1-800-722-1111	VOLTAGE RATING: -		0 PLC ±-	1 PLC ±-	SIZE A3	
FOR ORDER ENTRY	1-800-526-5142	CIRCULAR MIL AREA: 1.04mm ² -2.62mm ² [2050-5180]		2 PLC ±0.20 [.008]	3 PLC ±-	4 PLC ±-	CAGE CODE 00779
			MATERIAL BODY, CU, SLV, CU PER ASTM B152	FINISH TIN PLATE PER MIL-T-10727	WEIGHT -	DRAWING NO C-32189	
CUSTOMER DRAWING					SCALE 8:1	SHEET 1 OF 1	REV D

单击下面可查看定价，库存，交付和生命周期等信息

[>>TE Connectivity\(泰科\)](#)