

THIS DRAWING IS UNPUBLISHED. RELEASED FOR PUBLICATION  
 © COPYRIGHT BY TYCO ELECTRONICS CORPORATION. ALL INTERNATIONAL RIGHTS RESERVED.

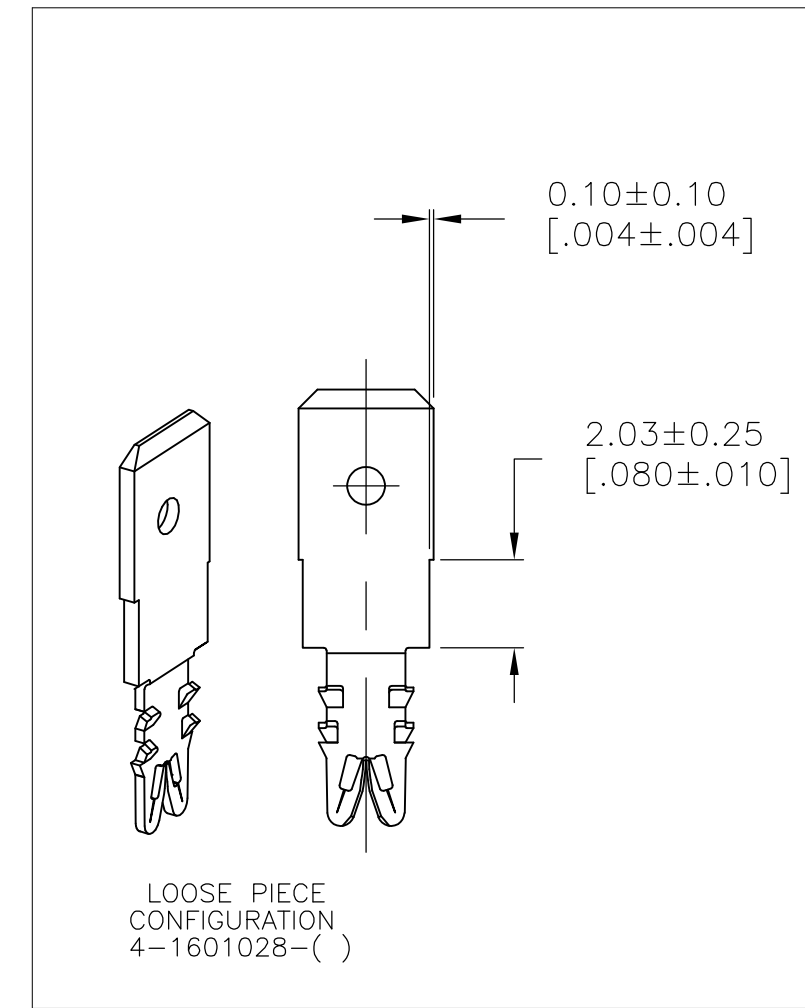
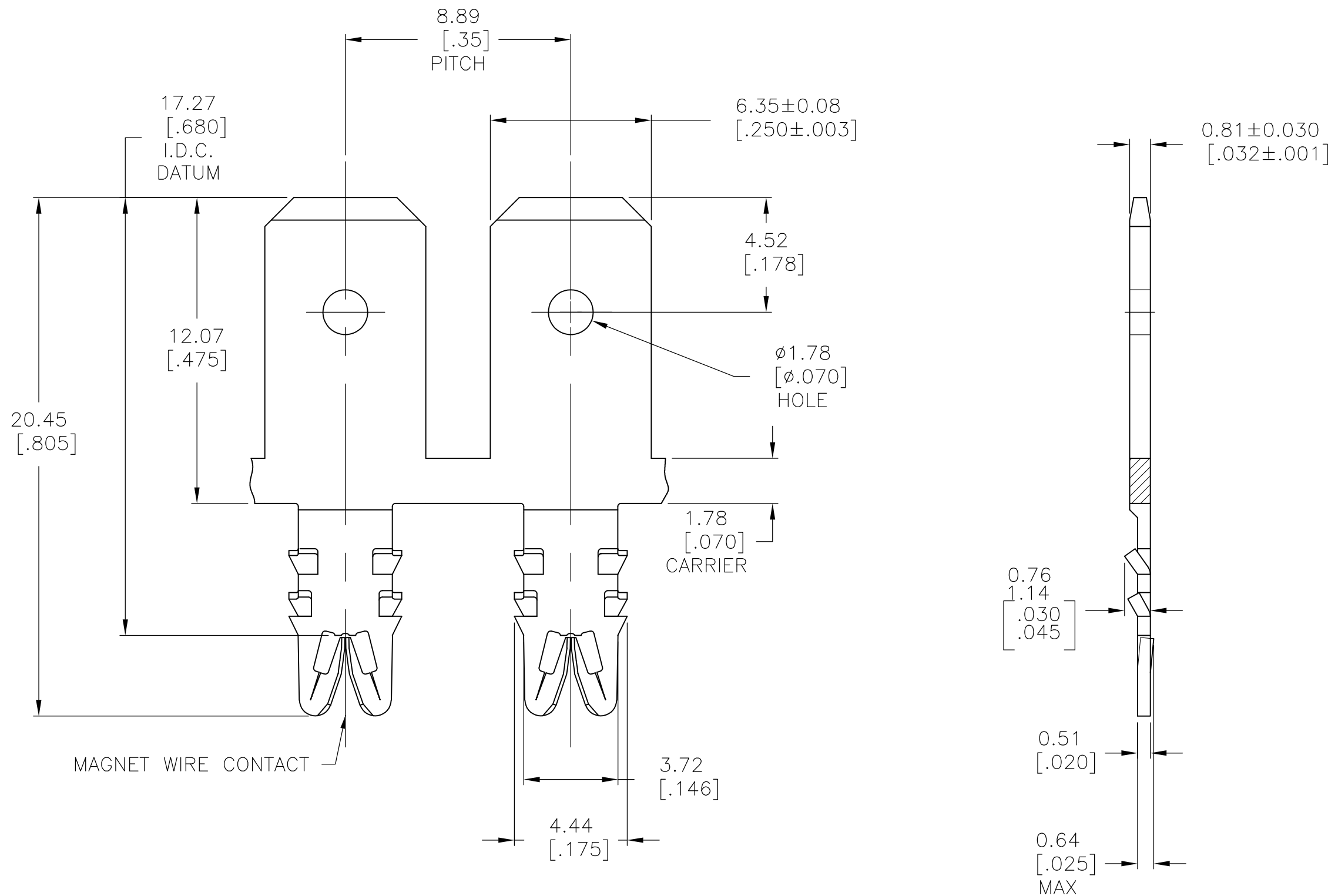
LOC	DIST	REVISIONS			
P	LTR	DESCRIPTION	DATE	DWN	APVD
D		REVISED PER ECR-08-007001	22MAY08	HMR	GJ
D1	50	REVISED PER ECO-09-024606	27OCT09	KK	AEG

1 SPECIFICATIONS:  
 MAGNET WIRE #18 - #34 AWG COPPER  
 1.02-0.16 [.040-.006] DIA. OTHER SIZES  
 MAY BE ACCOMMODATED, CONSULT  
 TYCO ELECTRONICS FOR APPROVAL.

2 POCKET RECOMMENDATION: #1601425

3 TERMINAL APPLICATION TO COMPLY WITH  
 TYCO ELECTRONICS SPECIFICATION  
 114-13166 FIGURE 6.

4 OBSOLETE PARTS: OBSOLETE CIS STREAMLINING  
 PER D.RENAUD/D.SINISI



4 OBSOLETE

Pre Tin Plate	031-063-002	4-1601028-2
Unplated	031-063-000	4-1601028-1
Pre Tin Plate	131-063-002	2-1601028-2
Unplated	131-063-000	2-1601028-1
Pre Tin Plate	131-064-002	1601028-2
Unplated	131-064-000	1601028-1
FINISH	REFERENCE PART NUMBER	TE PART NUMBER
THIS DRAWING IS A CONTROLLED DOCUMENT.		
DIMENSIONS: mm [INCHES]	TOLERANCES UNLESS OTHERWISE SPECIFIED:	0 PLC ± -
		1 PLC ± 0.25[.010]
		2 PLC ± 0.13[.005]
		3 PLC ± -
		4 PLC ± -
		ANGLES ± 2°
MATERIAL: BRASS, 1/2 HARD	FINISH: SEE TABLE	WEIGHT: -
CUSTOMER DRAWING		SCALE: 6:1
DWN: J.WELLER 11JAN2002		CHK: M.FEHER 11JAN2002
APVD: K.RANDOLPH 11JAN2002		NAME: Tyco Electronics Corporation Harrisburg, PA 17105-3608
PRODUCT SPEC: 108-2085		APPLICATION SPEC: 3
SIZE: A2	CAGE CODE: 00779	DRAWING NO: C=1601028
RESTRICTED TO: -	SHEET: 1 OF 1	REV: D1

单击下面可查看定价，库存，交付和生命周期等信息

[>>TE Connectivity\(泰科\)](#)