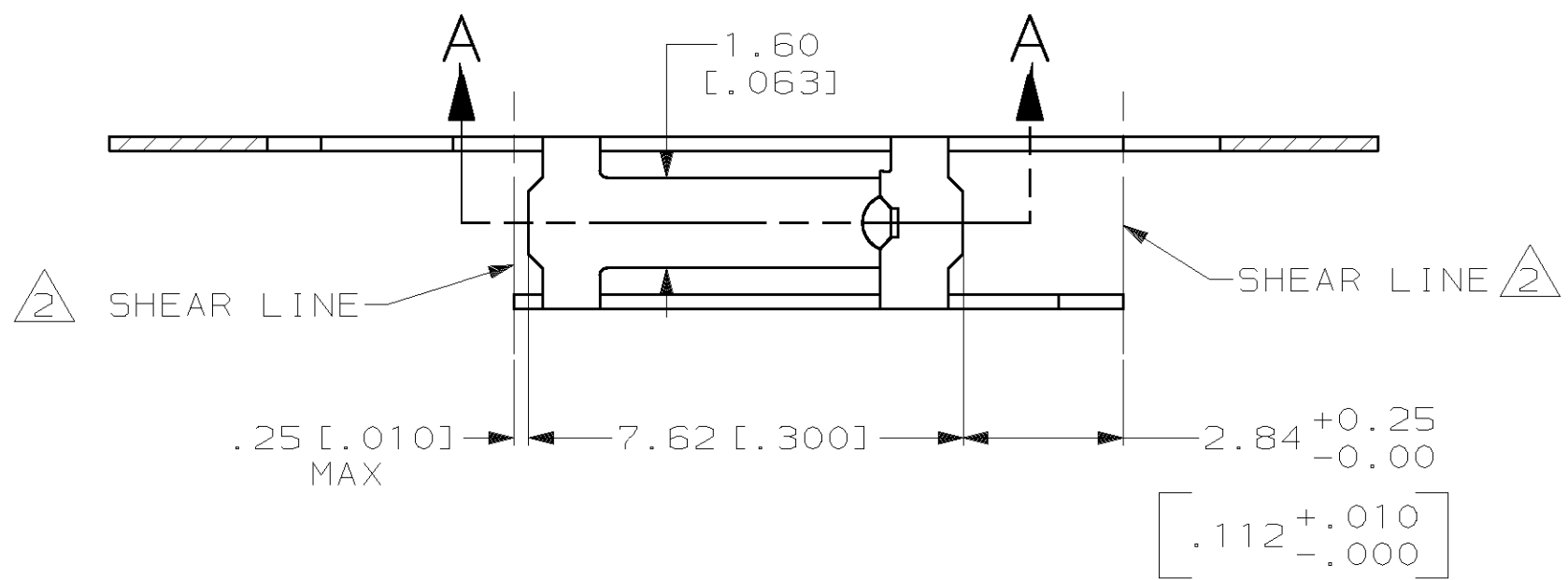
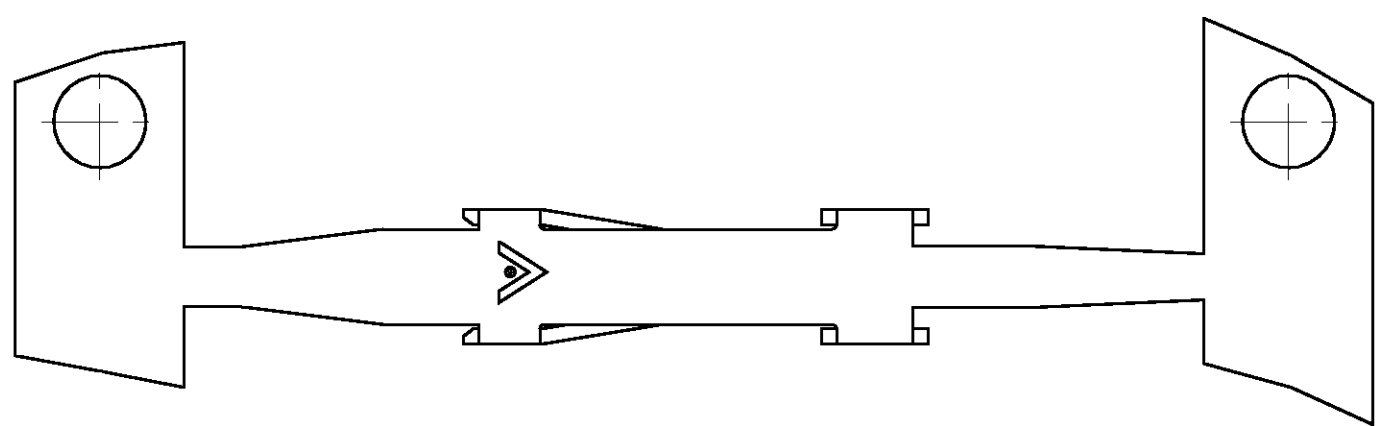
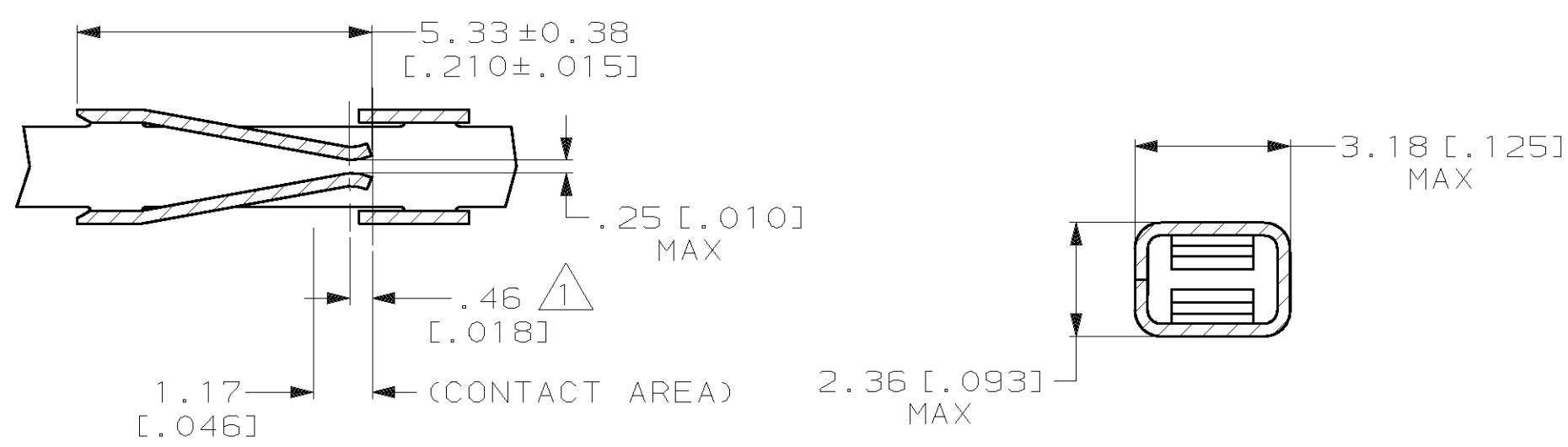
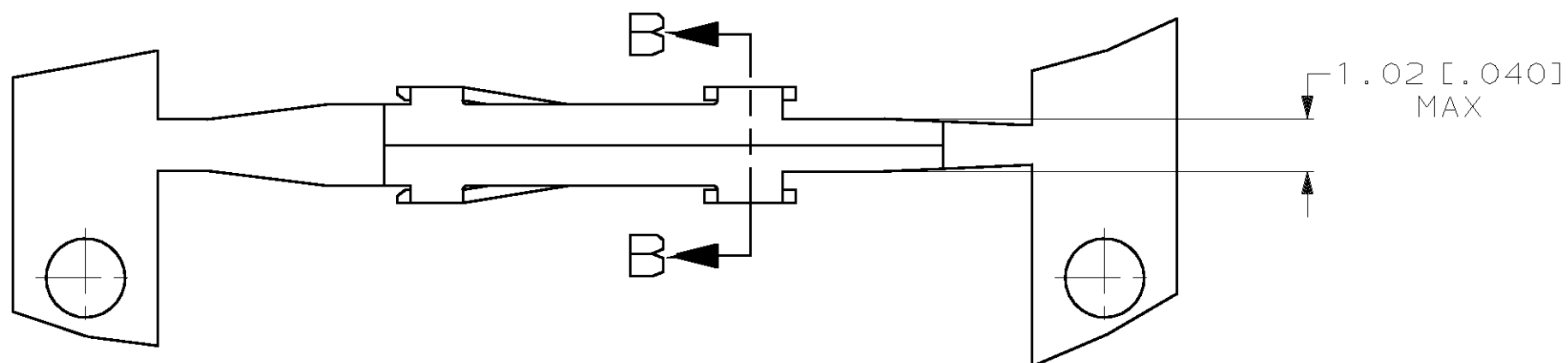


LOC		DIST		REVISIONS				
AD	39	P	F	ZONE	LTR	DESCRIPTION	DATE	APPD
					H	REV PER 0010-1175-95	12-30-96	JH
					J	REV PER 063C-0062-00	11FEB00	MZ



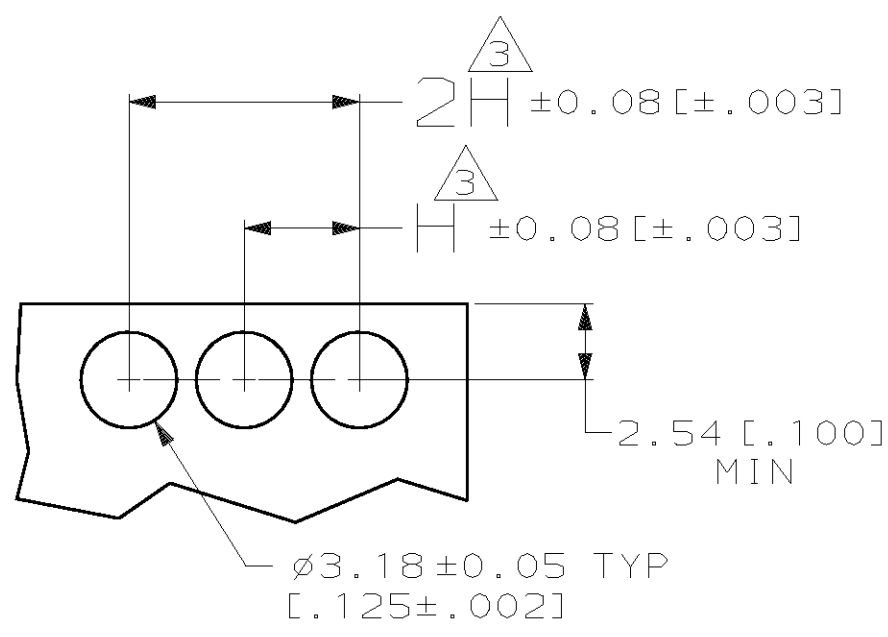
- 1 POINT OF MEASUREMENT FOR PLATING THICKNESS (INSIDE BEAMS).
- 2 SHEAR LINES DEFINE LOOSE PIECE PART.
- 3 "H" RECEPTACLE CENTERS MAY VARY DEPENDING ON REQUIREMENTS. MINIMUM NOMINAL CENTER SPACING BETWEEN ADJACENT RECEPTACLES IS 3.81±0.08 [.150±.003].
- 4 GOLD FLASH OVER 0.00127 [.000050] NICKEL ENTIRE TERMINAL, 0.00076 [.000030] GOLD ON CONTACT AREA ONLY.
- 5 0.00200 [.000079] MIN TIN.
- 6 0.00038 [.000015] GOLD ON CONTACT AREA, 0.00254-0.00508 [.000100-.000200] BRIGHT TIN-LEAD ON TERMINATION AREA, ALL OVER 0.00127 [.000050] NICKEL ENTIRE TERMINAL.
- 7 0.00076 [.000030] GOLD ON CONTACT AREA, 0.00254-0.00508 [.000100-.000200] BRIGHT TIN-LEAD ON TERMINATION AREA, ALL OVER 0.00127 [.000050] NICKEL ENTIRE TERMINAL.



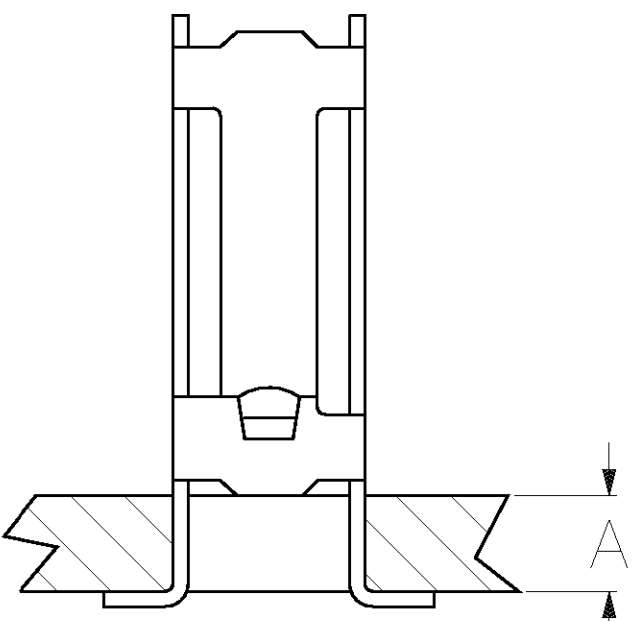
SECTION A-A

SECTION B-B

OBSOLETE	MINATURE	87105-4	7	87003-6
OBSOLETE	MINATURE	87105-3	6	87003-4
	MINATURE	87105-2	5	87003-2
	MINATURE	87105-1	4	87003-1
REELED FOR APPLICATOR	LOOSE PIECE PART NO	FINISH	PART NUMBER	



RECOMMENDED P.C. BOARD LAYOUT



TYPICAL APPLICATION

THIS DRAWING IS A CONTROLLED DOCUMENT FOR AMP INCORPORATED. IT IS SUBJECT TO CHANGE AND THE CONTROLLING ENGINEERING ORGANIZATION SHOULD BE CONTACTED FOR THE LATEST REVISION.

DO NOT SCALE PRINT. UNLESS SPECIFIED DIMENSIONS IN mm [INCHES] TOLERANCES ON:		DR 7-18-94 E. BRANDBERG		AMP Incorporated Harrisburg, PA 17105-3608	
2 PLC DEC ± -		CHK 7-18-94 J. HERRINGTON			
3 PLC DEC ± 0.13 [.005]		APPD 7-18-94 J. HERRINGTON		NAME RECEPTACLE, MOD I, STANDARD PRESSURE, TYPE B	
ANGLES ± -		APPD 7-18-94 D. DUPLER			
MATERIAL	PHOS BRONZE	PRODUCT SPEC	SIZE CAGE CODE DRAWING NO		
FINISH	SEE TABLE	APPLICATION SPEC	C 00779	C=87003	
WEIGHT	-	SCALE 8:1	SHEET 1 OF 1		PART NO

单击下面可查看定价，库存，交付和生命周期等信息

[>>TE Connectivity\(泰科\)](#)