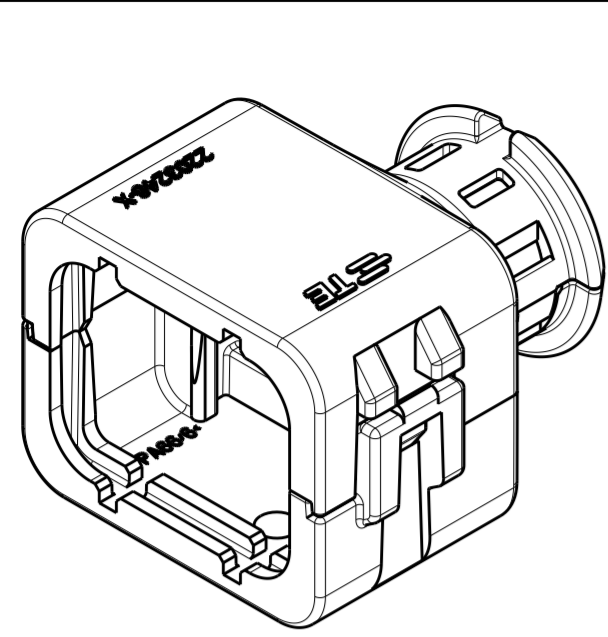
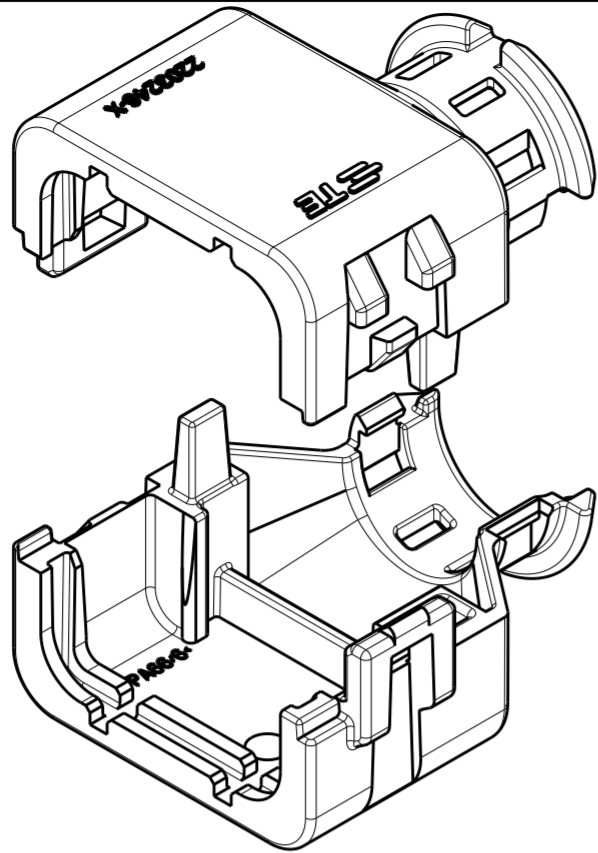


THIS DRAWING IS UNPUBLISHED. RELEASED FOR PUBLICATION 20  
 © COPYRIGHT copyright.d8te- ALL RIGHTS RESERVED.

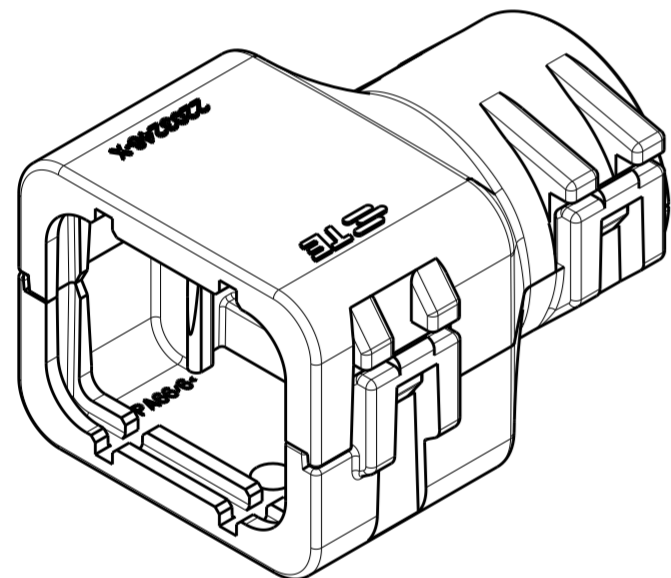
REVISIONS				
P	LTR	DESCRIPTION	DATE	APVD
A		RELEASED PER ECO-15-010501	17JUL2015	JM RB
A1		REV PER ECO-16-008350	02JUN2016	JM RB
A2		REV PER ECO-16-013256	08SEP2016	JM RB



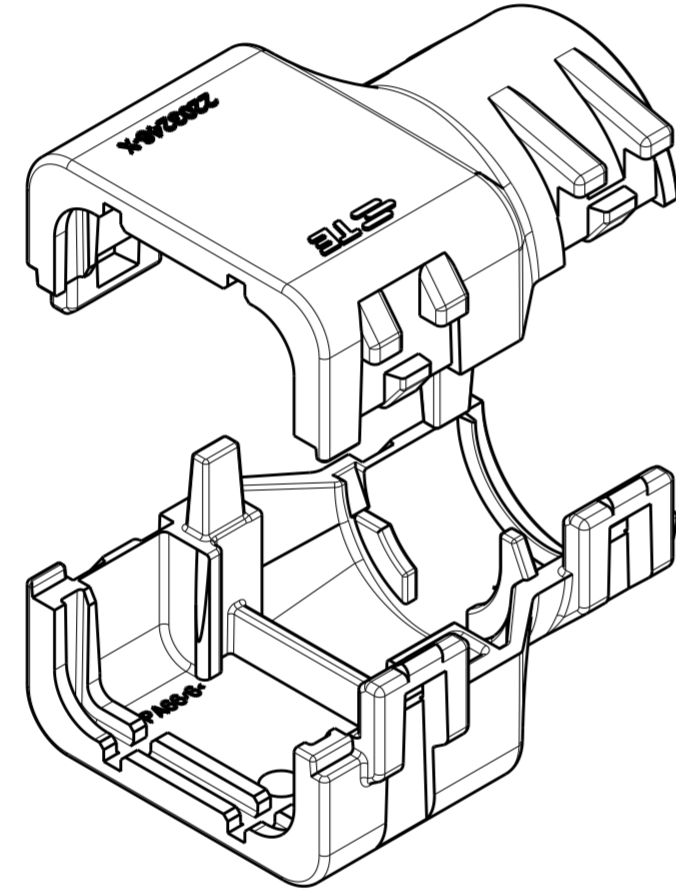
2292863-1  
ASSEMBLED ISOMETRIC VIEW SHOWN



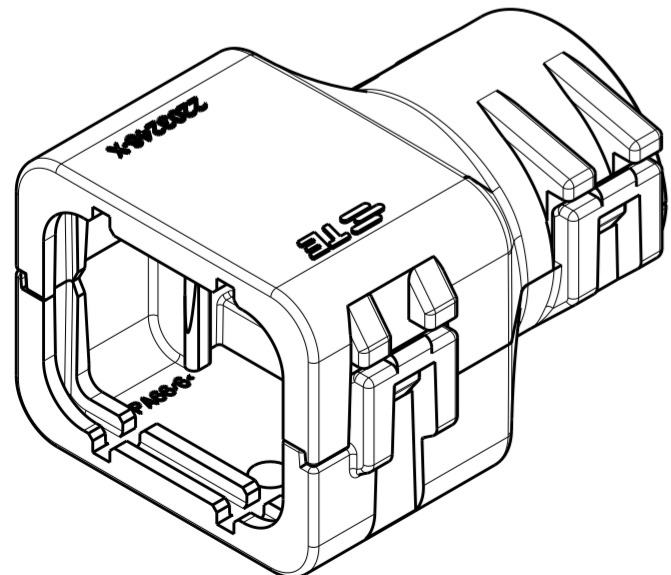
2292863-1  
EXPLODED ISOMETRIC VIEW SHOWN



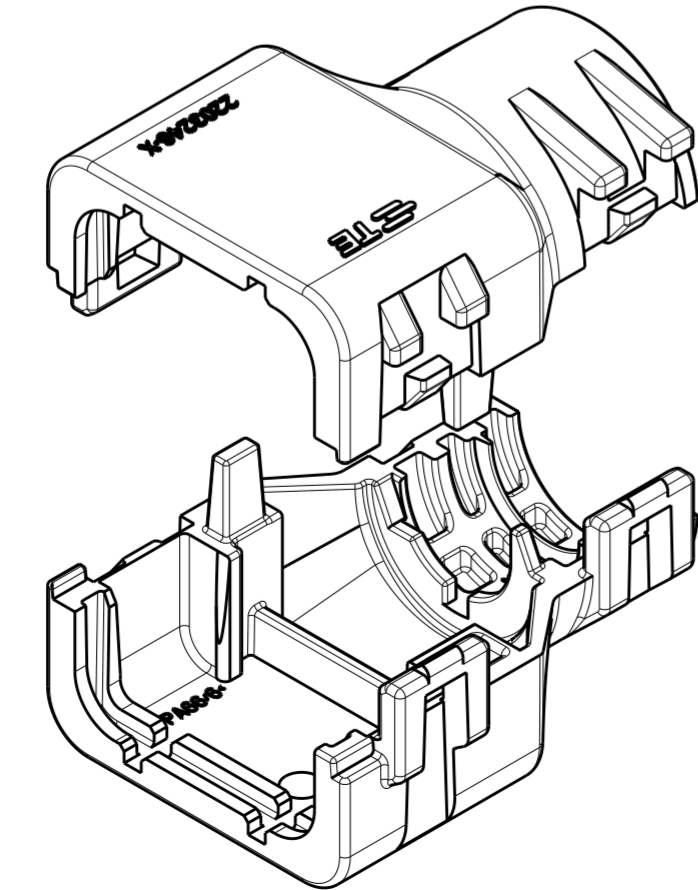
2292863-2  
ASSEMBLED ISOMETRIC VIEW SHOWN



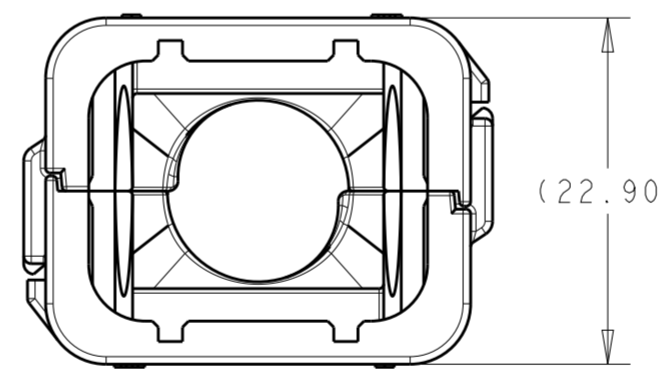
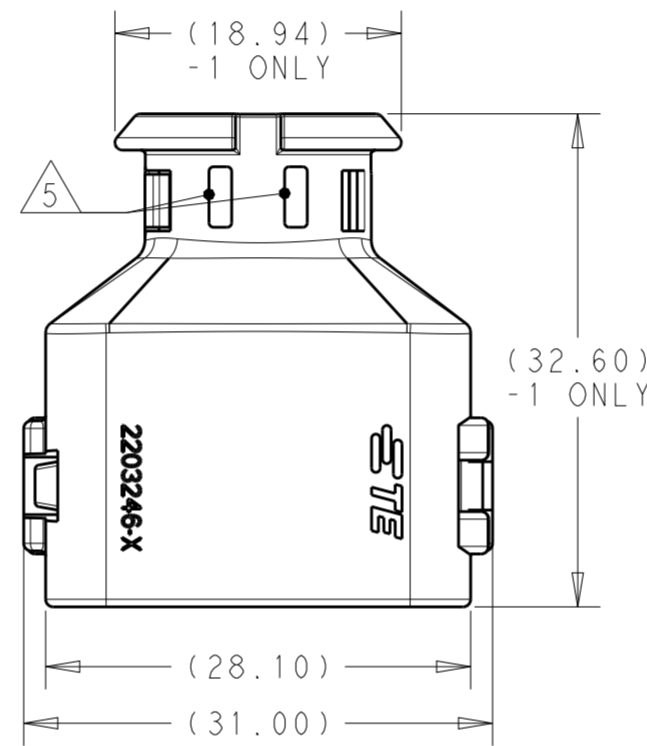
2292863-2  
EXPLODED ISOMETRIC VIEW SHOWN



2292863-3  
ASSEMBLED ISOMETRIC VIEW SHOWN

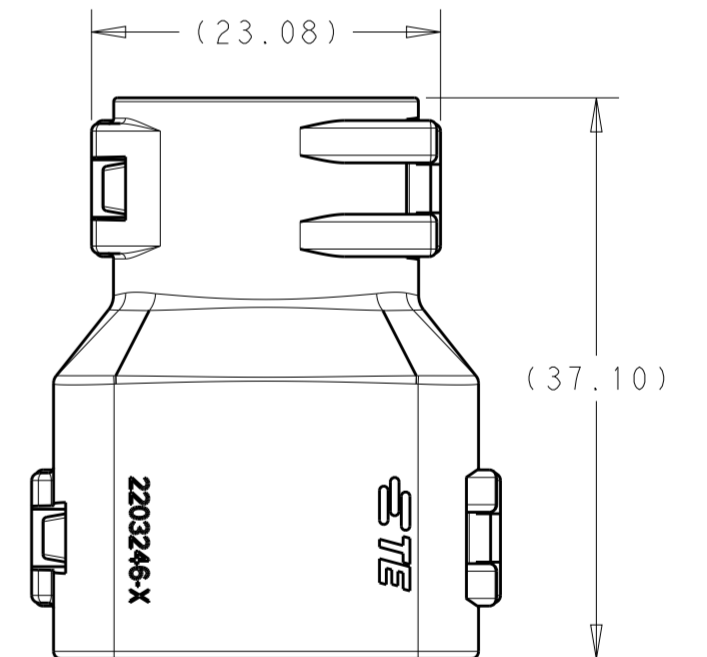
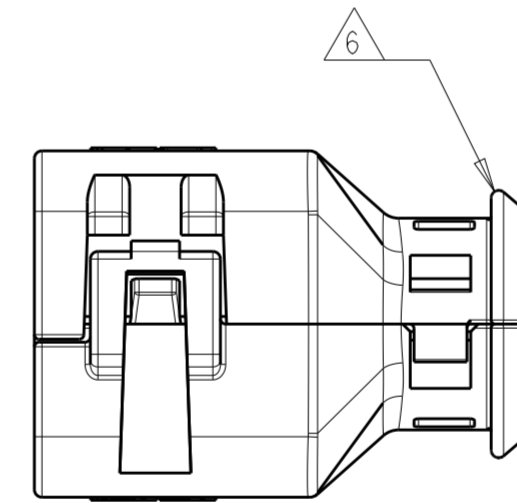


2292863-3  
EXPLODED ISOMETRIC VIEW SHOWN



2292863-1  
ASSEMBLED VIEW SHOWN

DIMENSIONS SHOWN TYPICAL FOR ALL PART NUMBERS <sup>3</sup>  
EXCEPT AS NOTED



2292863-2  
ASSEMBLED VIEW SHOWN

DIMENSIONS SHOWN TYPICAL FOR -2 AND -3 ONLY <sup>3</sup>

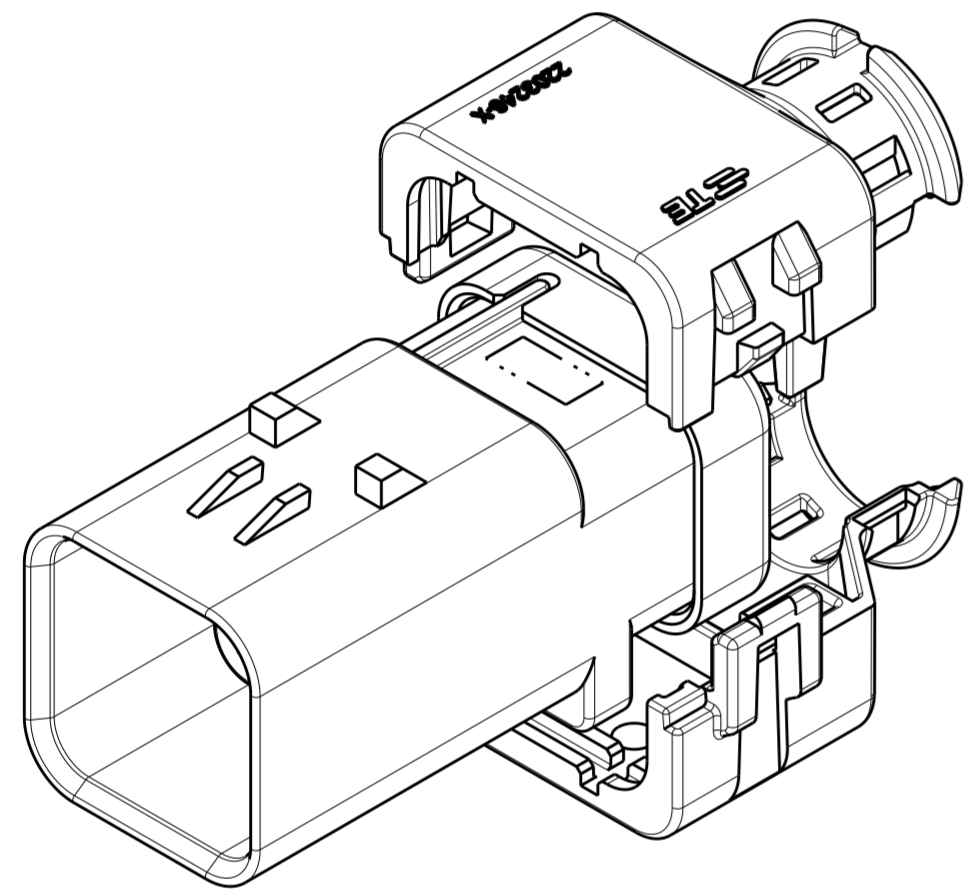
- <sup>1</sup> MATERIAL: NYLON MOLDING COMPOUND, BLACK, PA66/6.
- <sup>2</sup> BACKSHELL DESIGNED SUCH THAT TWO HALVES ATTACH TO ONE ANOTHER AND CLAMP AROUND THE CONNECTOR COVER.
- <sup>3</sup> DIMENSIONS TO BE MEASURED WHEN BACKSHELLS ASSEMBLED.
- <sup>4</sup> PRODUCT WEIGHTS:  
2292863-1: 5.34g ASSEMBLED  
2292863-2: 6.72g ASSEMBLED  
2292863-3: 7.30g ASSEMBLED
- <sup>5</sup> 4mm WIDE SLOTS FOR TIE WRAP TO SECURE HARNESS WIRES (-1 ONLY).
- <sup>6</sup> HEAT SHRINK TUBING RETENTION FEATURE (-1 ONLY).
- 7. INSTRUCTION SHEET: 408-151043.
- 8. CONDUIT PROFILE: NORMAL ONLY.

776434-X	NC12	NW10	2292863-3
776537-X	NC16	NW13	2292863-2
	SMOOTH	SMOOTH	2292863-1
FITS ON CAP ASSY	CORREGATE NC	CORREGATE NW	PART NUMBER
	CONDUIT SIZE		

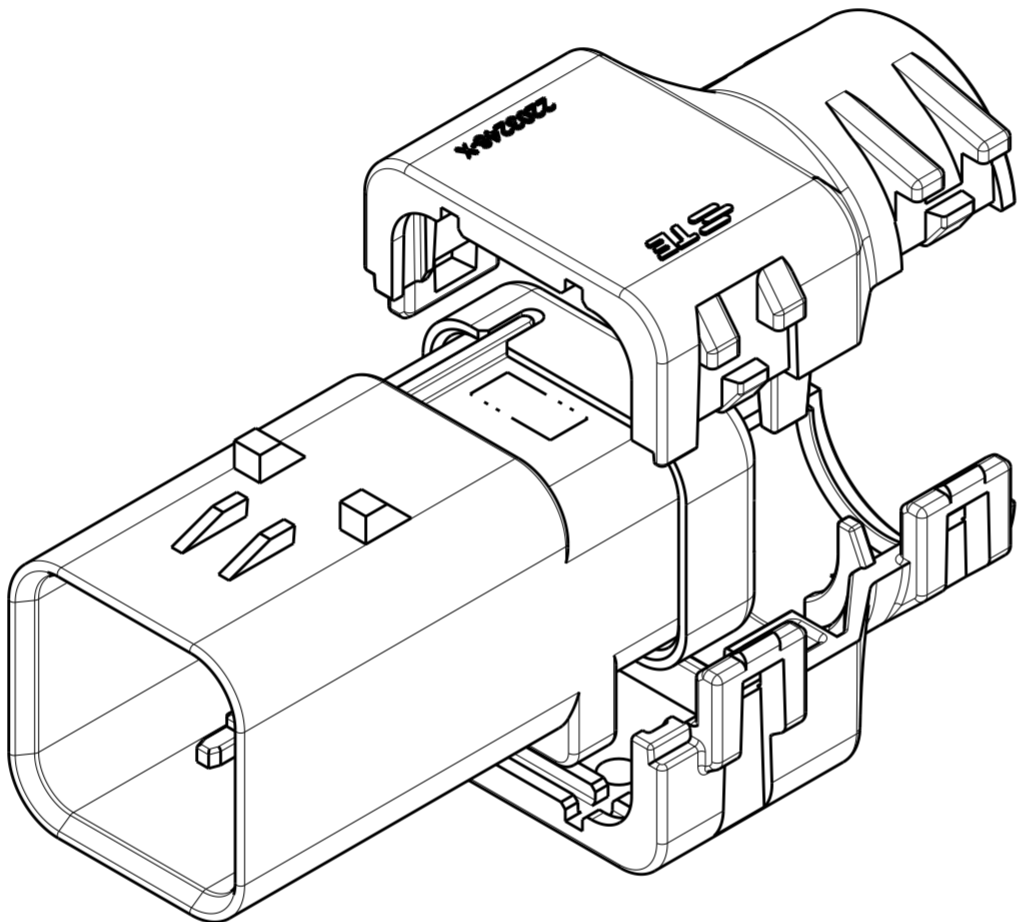
THIS DRAWING IS A CONTROLLED DOCUMENT.		DWN J MCNEAL 09JUN2015	<b>STE</b> TE Connectivity	
DIMENSIONS: mm [INCHES]		CHK R BALTER 09JUN2015		
TOLERANCES UNLESS OTHERWISE SPECIFIED:		APVD R BALTER 09JUN2015	NAME BACKSHELL KIT, 6 POSITION, CAP ASSY, AMPSEAL 16	
0 PLC ±	1 PLC ±	PRODUCT SPEC 108-151043	SIZE	RESTRICTED TO
2 PLC ±	3 PLC ±	APPLICATION SPEC	CAGE CODE	
4 PLC ±	ANGLES ±	WEIGHT <sup>4</sup>	DRAWING NO	
FINISH		CUSTOMER DRAWING	A200779	
		SCALE 2:1	C-2292863	
		SHEET 1 OF 2	REV A2	

THIS DRAWING IS UNPUBLISHED. RELEASED FOR PUBLICATION 20  
 © COPYRIGHT copyright.d8te- ALL RIGHTS RESERVED.

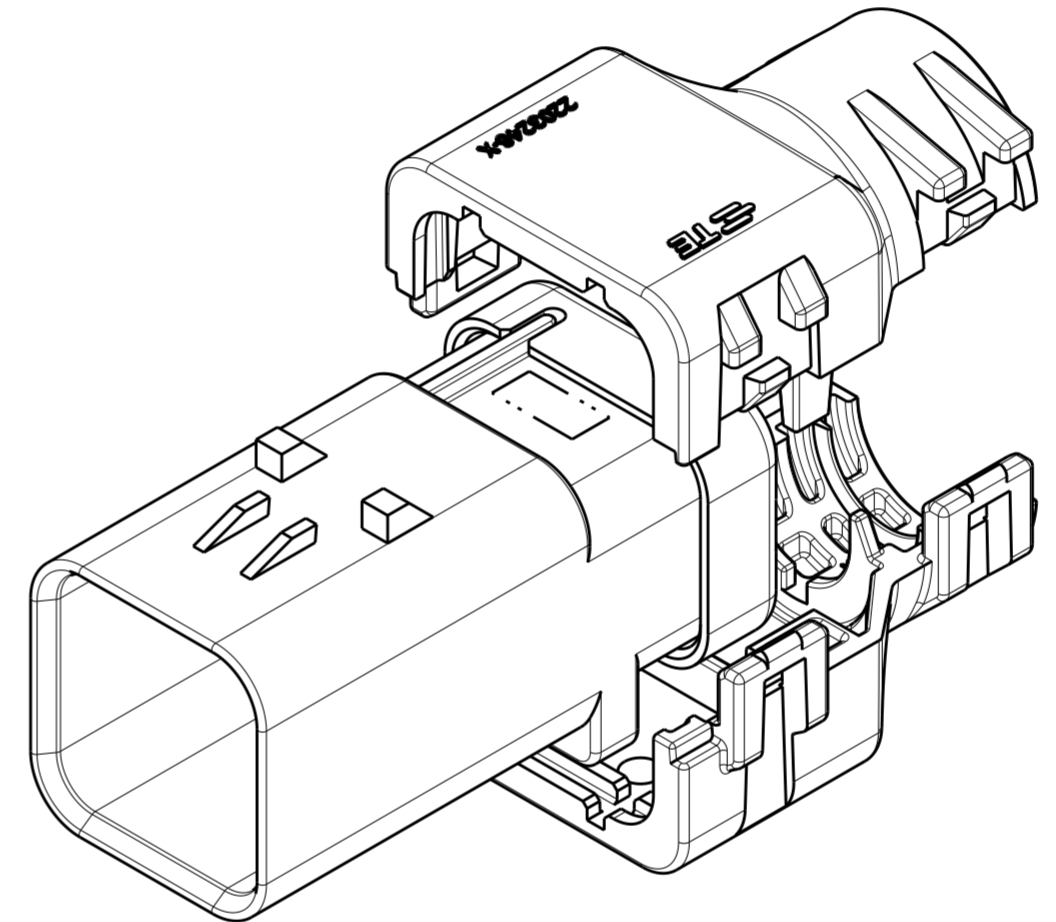
REVISIONS				
P	LTR	DESCRIPTION	DATE	APVD
-		SEE SHEET 1	-	-



2292863-1  
 WITH CAP ASSEMBLY 2  
 EXPLODED ISOMETRIC VIEW SHOWN



2292863-2  
 WITH CAP ASSEMBLY 2  
 EXPLODED ISOMETRIC VIEW SHOWN



2292863-3  
 WITH CAP ASSEMBLY 2  
 EXPLODED ISOMETRIC VIEW SHOWN

THIS DRAWING IS A CONTROLLED DOCUMENT.		DWN J. MCNEAL 09 JUN 2015		NAME BACKSHELL KIT, 6 POSITION, CAP ASSY, AMPSEAL 16	
DIMENSIONS: mm [INCHES]		CHK R. BALTER 09 JUN 2015		SIZE A200779	
TOLERANCES UNLESS OTHERWISE SPECIFIED: 0 PLC ± 1 PLC ± 2 PLC ± 3 PLC ± 4 PLC ± ANGLES ± FINISH		APVD R. BALTER 09 JUN 2015		DRAWING NO C-2292863	
MATERIAL - -		PRODUCT SPEC 108-151043 APPLICATION SPEC - WEIGHT -		RESTRICTED TO -	
CUSTOMER DRAWING			SCALE 2:1	SHEET 2 OF 2	REV A2

单击下面可查看定价，库存，交付和生命周期等信息

[>>TE Connectivity\(泰科\)](#)