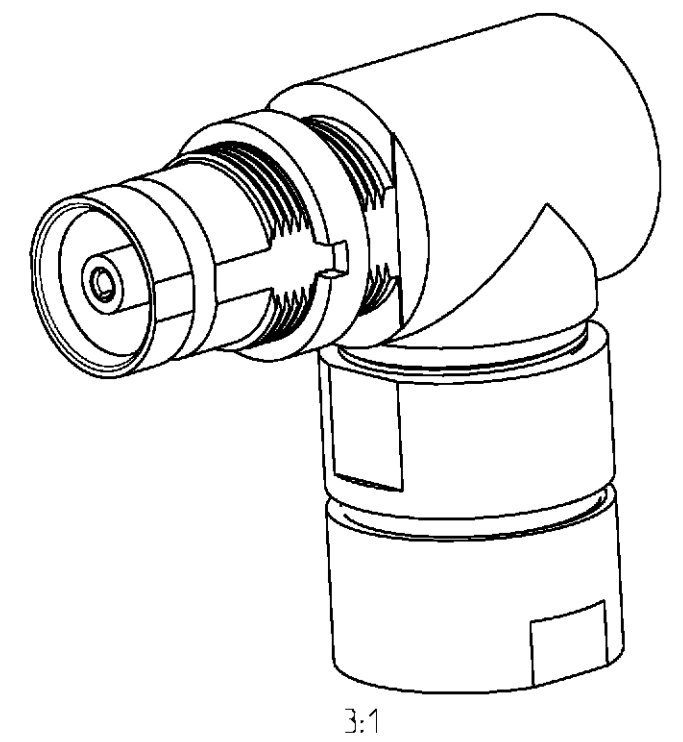
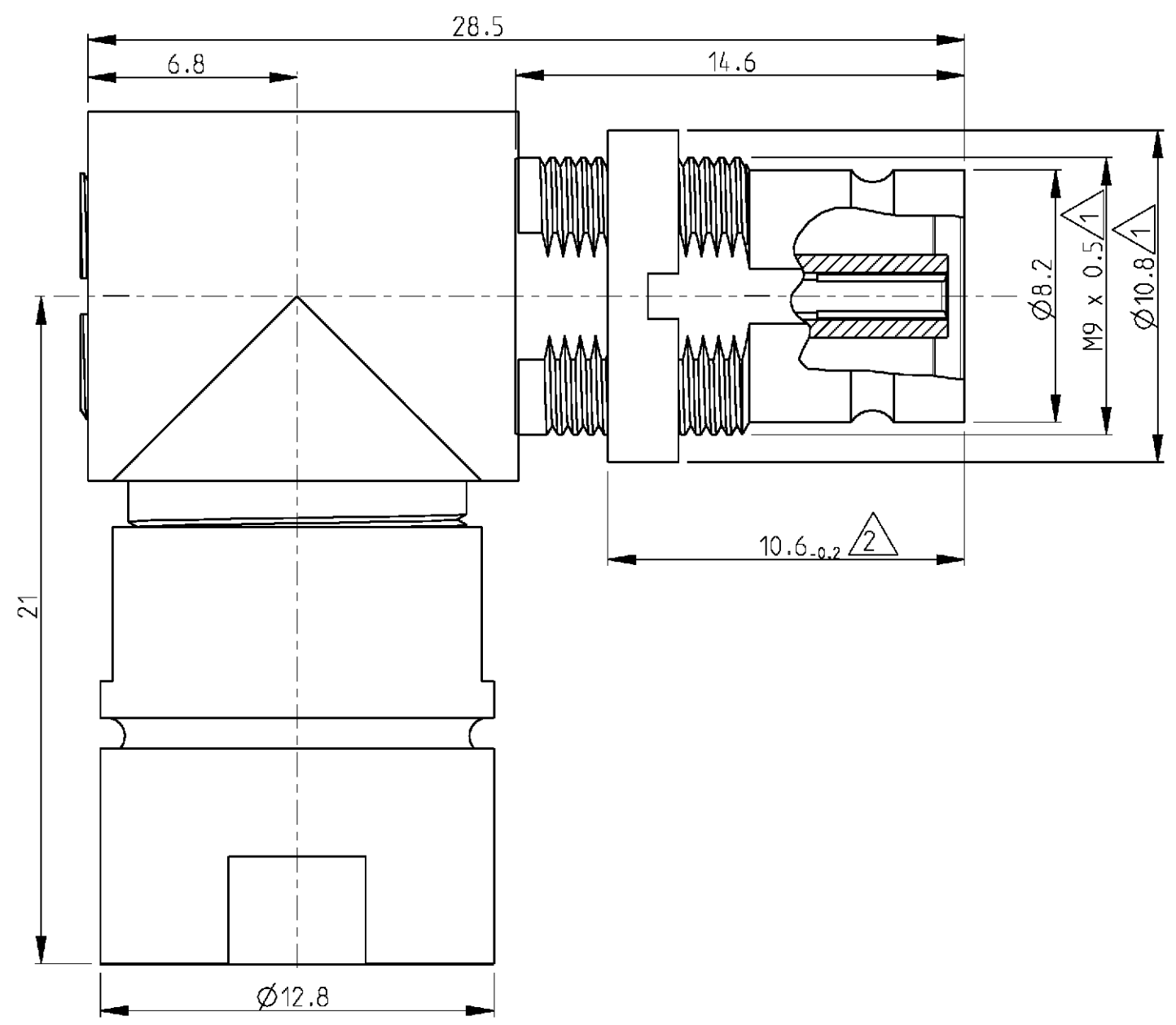


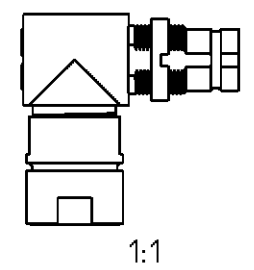
THIS DRAWING IS UNPUBLISHED. RELEASED FOR PUBLICATION 2000
 © COPYRIGHT 2000 BY TYCO ELECTRONICS CORPORATION. ALL RIGHTS RESERVED.

LOC	DIST	REVISIONS				
P	LTR	DESCRIPTION	DATE	DWN	APVD	
GW	-					
	A	-	05APR2001	BL	KM	



- 5) All dimensions are maximum unless otherwise specified.
- 4) All parts are supplied as loose parts.
- 3) Cable type : 2YCCY 1.0/6.5 and 2YC (mS)CY1.0/6.5
- 2 Installation dimension.
- 1 Mating face according to DIN 47295/CECC 22240.

Cross reference table				
Old part number	Tyco part number	Description	Material	Plating
C42334-A78-A10	1393682-8	Center conductor	CuBe	1 µm Au min in contact area
		Outer conductor	Brass	1 µm Au min in contact area
		Dielectric	PEEK/PC	-



<small>THIS DRAWING IS A CONTROLLED DOCUMENT FOR TYCO ELECTRONICS CORPORATION. IT IS SUBJECT TO CHANGE AND THE CONTROLLING ENGINEERING ORGANIZATION SHOULD BE CONTACTED FOR THE LATEST REVISION.</small>		DWN B. Lenvain 22MAR2001 CHK K. Mattheeuws 05APR2001 APVD R. Leeman 05APR2001		tyco Tyco Electronics Electronics Oostkamp - Belgium	
DIMENSIONS: mm 		TOLERANCES UNLESS OTHERWISE SPECIFIED: 0 PLC ± 1 PLC ± 2 PLC ± 3 PLC ± 4 PLC ± ANGLES ±		NAME Cable angle jack 1.6/5.6 75 ohm	
MATERIAL - FINISH -		PRODUCT SPEC - APPLICATION SPEC 114-71025 WEIGHT -		SIZE A3 CAGE CODE 00779 DRAWING NO. C-1393682-8 RESTRICTED TO -	
CUSTOMER DRAWING				SCALE 5/1 SHEET 1 OF 1 REV A	

单击下面可查看定价，库存，交付和生命周期等信息

[>>TE Connectivity\(泰科\)](#)