

DRAWING MADE IN THIRD ANGLE PROJECTION

3

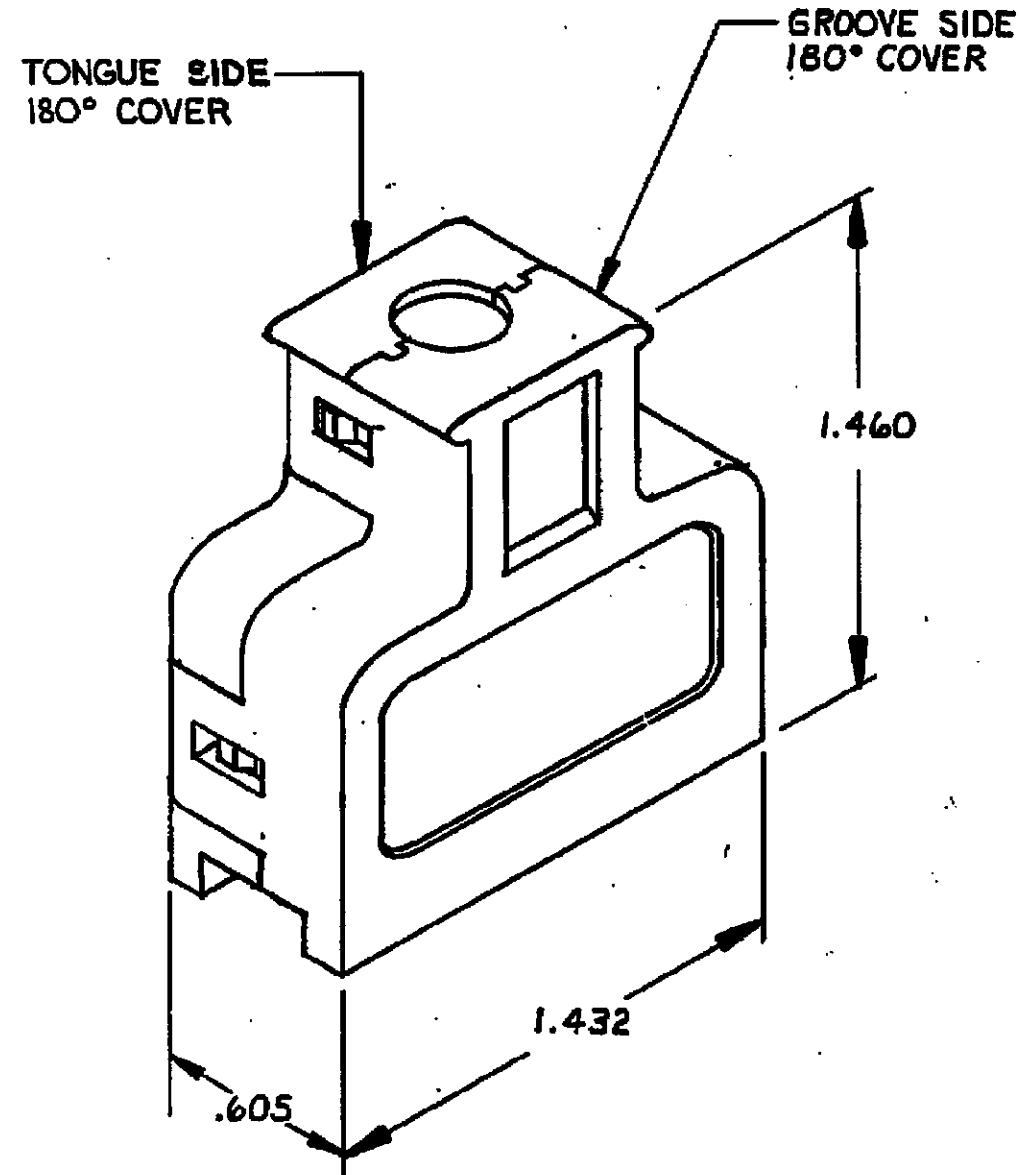
2

LOC AA DISF 20

THIS DRAWING IS UNPUBLISHED, RELEASED FOR PUBLICATION


COPYRIGHT

REVISIONS						
P	F	ZONE	LTR	DESCRIPTION	DATE	APPROVEC
			L1	REVISED PER ECO-11-005294	11APR11	HMR



1. ALL DIMENSIONS SHOWN ARE MAXIMUM UNLESS OTHERWISE SPECIFIED.
2. THIS KIT SHIPPED NOT ASSEMBLED.
3. PACKAGED ONE KIT PER POLY BAG.
4. 100 KITS BULK PACKED.

PACKAGED	CABLE RANGE DIAMETER	COLOR	GROOVE SIDE PART NO.	TONGUE SIDE PART NO.	KIT PART NO.
4	.320 - .380		2- ↑ -1	2- ↑ -1	2- ↑ -1
	.280 - .320	BLACK	1-552075-1	1-552074-1	1-552076-1
	.230 - .280		552075-1	552074-1	552076-1

UNLESS OTHERWISE SPECIFIED DIMENSIONS ARE IN INCHES. TOLERANCES ON: DECIMALS ± ANGLES ±		CONTRACT NO		 TE Connectivity		
MATERIAL POLYPHENYLENE		DR Phil Collins 5-9-83 CHK Stephen Dora 5-26-83				NAME COVER KIT, 180°, 24 POSITION, CHAMP®
FINISH		OTHER APPD		SIZE B	FSCM NO 00779	DRAWING NO 552076
				SCALE 2:1		SHEET 1 OF 1

CUSTOMER DRAWING

单击下面可查看定价，库存，交付和生命周期等信息

[>>TE Connectivity\(泰科\)](#)