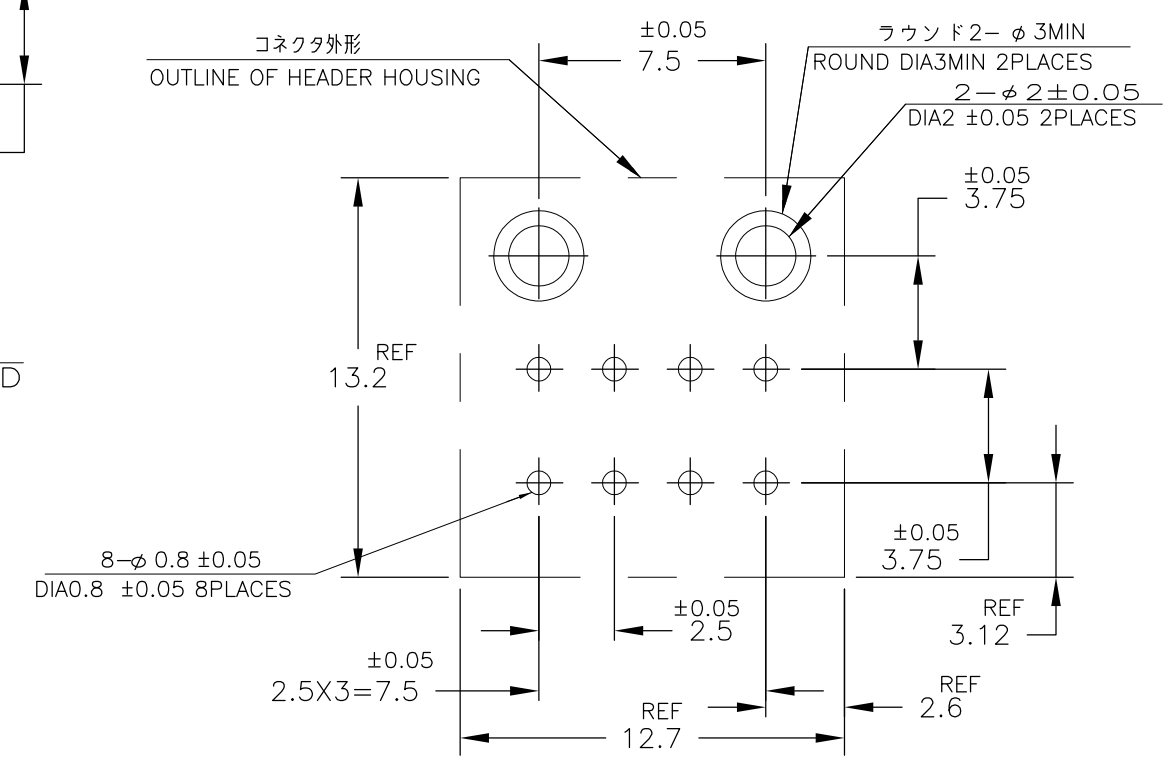
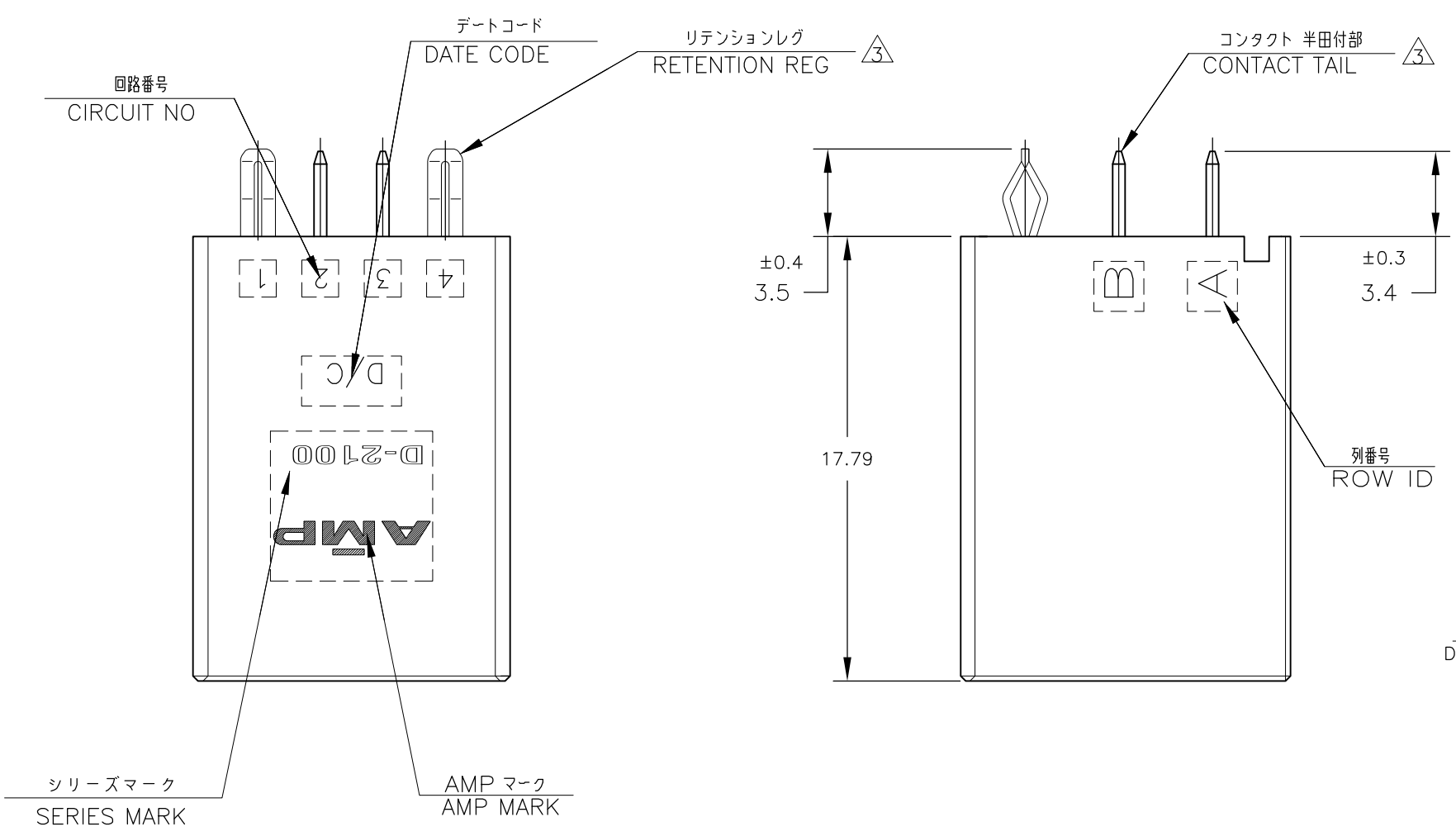
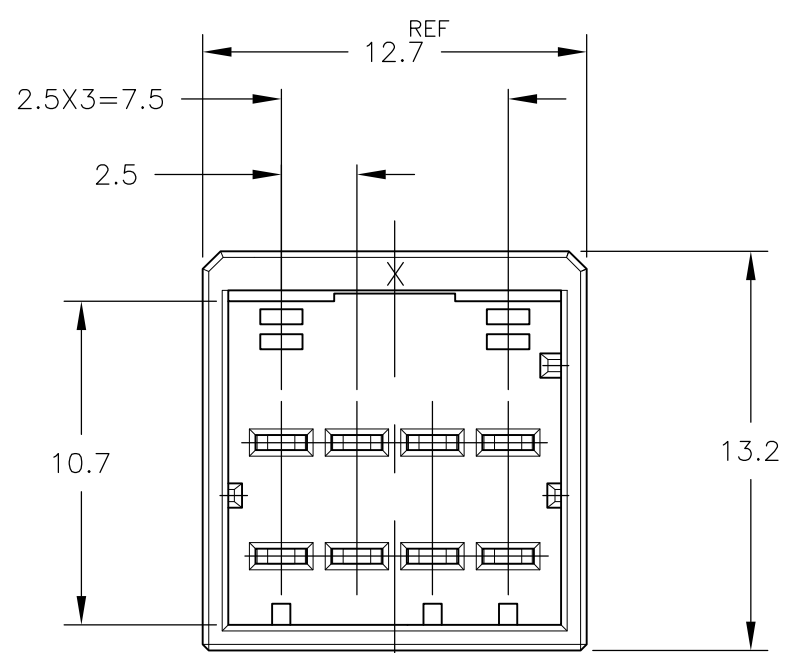


THIS DRAWING IS UNPUBLISHED. RELEASED FOR PUBLICATION
 © COPYRIGHT 2012 By Tyco Electronics Japan G.K. ALL RIGHTS RESERVED.

LOC	DIST	REVISIONS					
J	—	P	LTR	DESCRIPTION	DATE	DWN	APVD
		D		REVISED	11MAY2012	H.M	N.Y



推奨基板取付け穴寸法 (公差: ±0.05)
 PC 基板厚: 1.6 ± 0.3
 (コネクタ搭載面)
 RECOMMENDED PC BOARD HOLE PATTERN (TOLERANCE : ±0.05)
 PC BOARD THICKNESS: 1.6 ± 0.3
 (CONNECTOR MOUNT SIDE)



NOTES

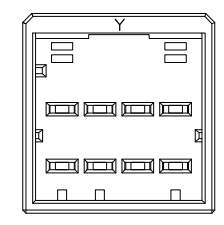
- MATERIAL: HOUSING: GLASS FILLED THERMO PLASTIC POLYESTER(94V-0)
 TAB CONTACT: COPPER ALLOY
 RETENTION LEG: BRASS
- △ FINISH (CONTACT AREA): 0.38 μm MIN GOLD PLATING OVER Ni PLATING
 △ FINISH (RETENTION LEG): TIN PLATED (CONTACT TAIL) OVER NICKEL

注記

- 材料: ハウジング: ガラス入り熱可塑性ポリエステル樹脂 (94V-0)
 タブ コンタクト: 銅合金
 リテンション レグ: 黄銅
- めっき: コンタクト: 全面Ni下地
 接触部: 0.38 μm MIN金めっき
 めっき: リテンションレグとコンタクト半田付部: ニッケル下地の上にスズめっき

Y	NATURAL	9-1318125-2
Y	BLACK	1318125-2
X	BLACK	1318125-1
KEY	COLOR	PART No.

1318125-1
(KEYING X)

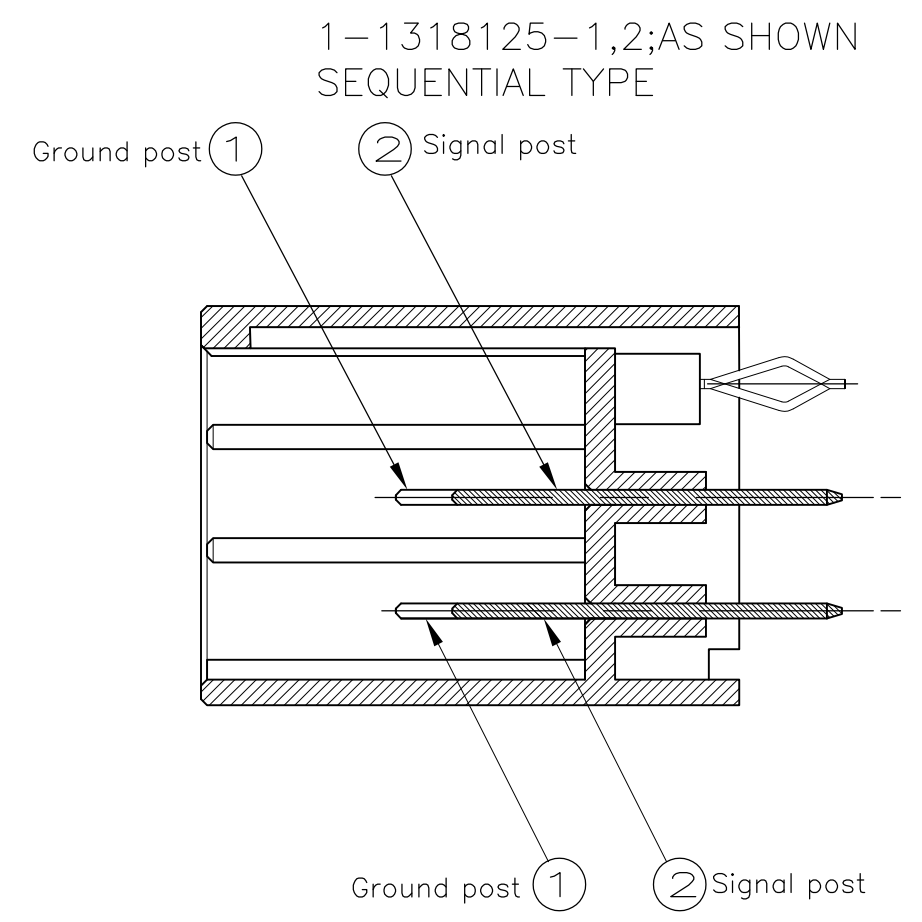
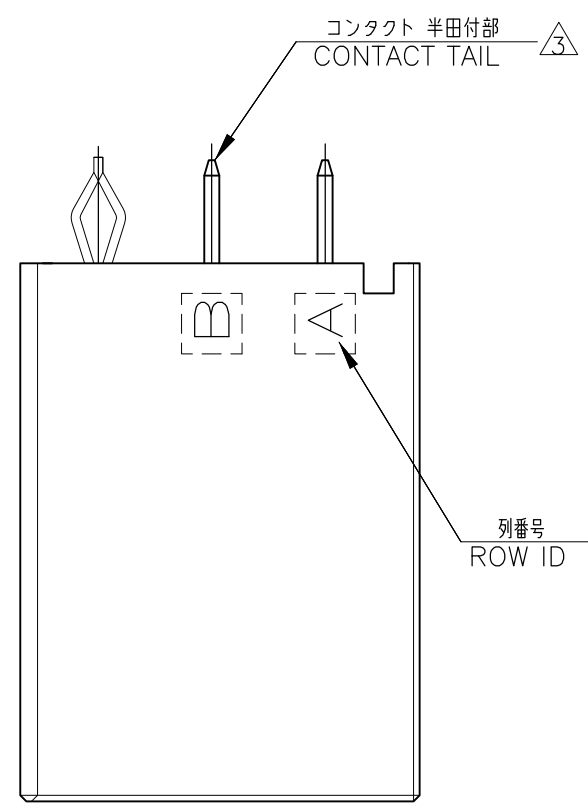
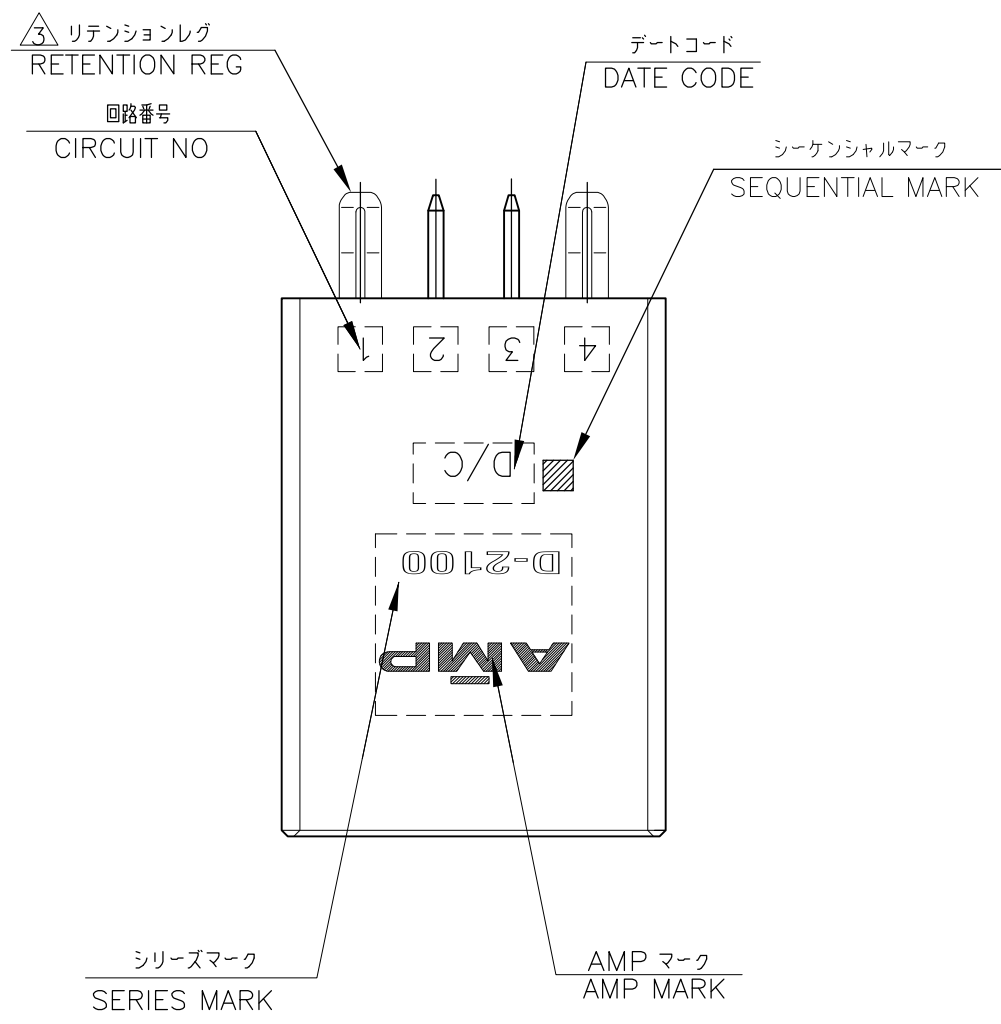


1318125-2
(KEYING Y)
SCALE: 2-1

THIS DRAWING IS A CONTROLLED DOCUMENT.		DWN	I.IKEDA	07DEC1998	TE Connectivity	
DIMENSIONS: mm		CHK	N.MATSUBARA	07DEC1998		
TOLERANCES UNLESS OTHERWISE SPECIFIED:		APVD	I.HASEGAWA	07DEC1998		
0 PLC ± 0.3 1 PLC ± 0.35 2 PLC ± 0.4 3 PLC ± 0.4 4 PLC ± 0.4 ANGLES ± 3°		PRODUCT SPEC	108-5619			
MATERIAL SEE NOTE		FINISH	SEE NOTE		NAME	DOUBLE ROW HEADER ASSY 8P V-TYPE DYNAMIC D-2100D
CUSTOMER DRAWING		WEIGHT	114-5258		SIZE	A3
		SCALE	4:1		CAGE CODE	00779
		SHEET	1 OF 2		DRAWING NO	C-1318125
		REV	D		RESTRICTED TO	—

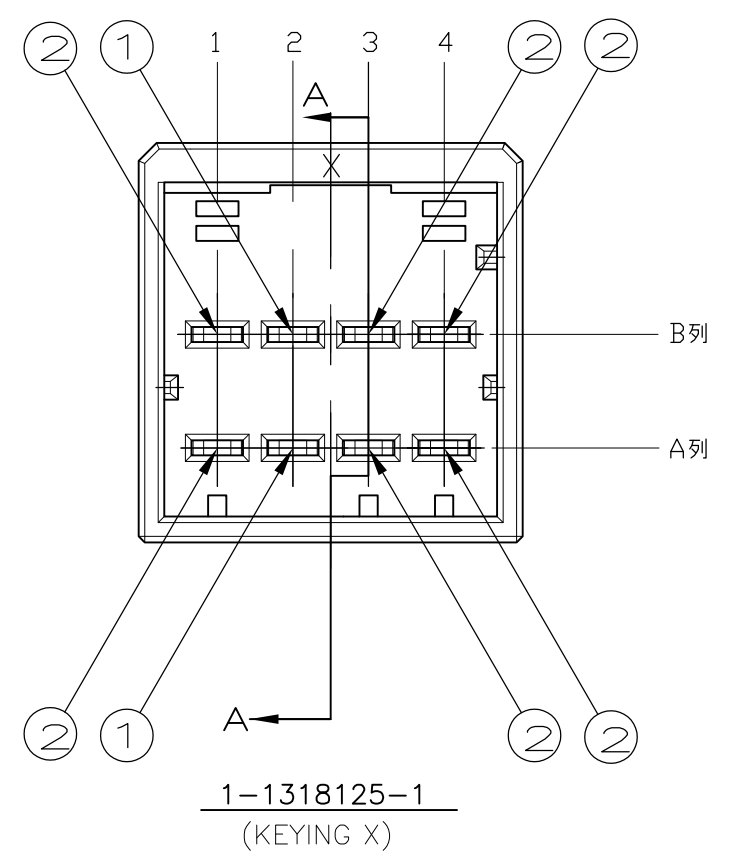
THIS DRAWING IS UNPUBLISHED. RELEASED FOR PUBLICATION
 © COPYRIGHT 2012 By Tyco Electronics Japan G.K. ALL RIGHTS RESERVED.

LOC	DIST	REVISIONS					
J	—	P	LTR	DESCRIPTION	DATE	DWN	APVD
				SEE SHEET 1	—	—	—



		回路番号			
		1	2	3	4
列番号	B	② Signal	① Ground	② Signal	② Signal
	A	② Signal	① Ground	② Signal	② Signal

POINT OF SEQUENTIAL
 1-1318125-1,2



NOTES
 1. MATERIAL:HOUSING:GLASS FILED THERMO PLASTIC POLYESTER(94V-0)
 TAB CONTACT:COPPER ALLOY
 RETENTION LEG:BRASS
 △ FINISH(CONTACT AREA):0.38μmMIN GOLD PLATING OVER Ni PLATING
 △ FINISH(RETENTION LEG): TIN PLATED (CONTACT TAIL) OVER NICKEL

注記
 1. 材料:ハウジング:ガラス入り熱可塑性ポリエステル樹脂(94V-0)
 タブコンタクト:銅合金
 リテンションレグ:黄銅
 △めっき:コンタクト:全面Ni下地 接触部:0.38μmMIN金めっき
 △めっき:リテンションレグとコンタクト半田付部:ニッケル下地の上にスズめっき

Y	BLACK	1-1318125-2
X	BLACK	1-1318125-1
KEY	COLOR	PART No.

THIS DRAWING IS A CONTROLLED DOCUMENT.

DIMENSIONS: mm	TOLERANCES UNLESS OTHERWISE SPECIFIED: 0 PLC ± 0.10 1 PLC ± 0.15 2 PLC ± 0.20 3 PLC ± 0.25 4 PLC ± 0.30 ANGLES ± 3°	DWN I.IKEDA 07DEC1998 CHK N.MATSUBARA 07DEC1998 APVD I.HASEGAWA 07DEC1998 PRODUCT SPEC 108-5619 APPLICATION SPEC 114-5258 WEIGHT	NAME DOUBLE ROW HEADER ASSY 8P V-TYPE DYNAMIC D-2100D
MATERIAL SEE NOTE	FINISH SEE NOTE	CUSTOMER DRAWING	RESTRICTED TO

STE TE Connectivity

SIZE A3 CAGE CODE 00779 DRAWING NO C-1318125 SCALE 4:1 SHEET 2 OF 2 REV D

单击下面可查看定价，库存，交付和生命周期等信息

[>>TE Connectivity\(泰科\)](#)