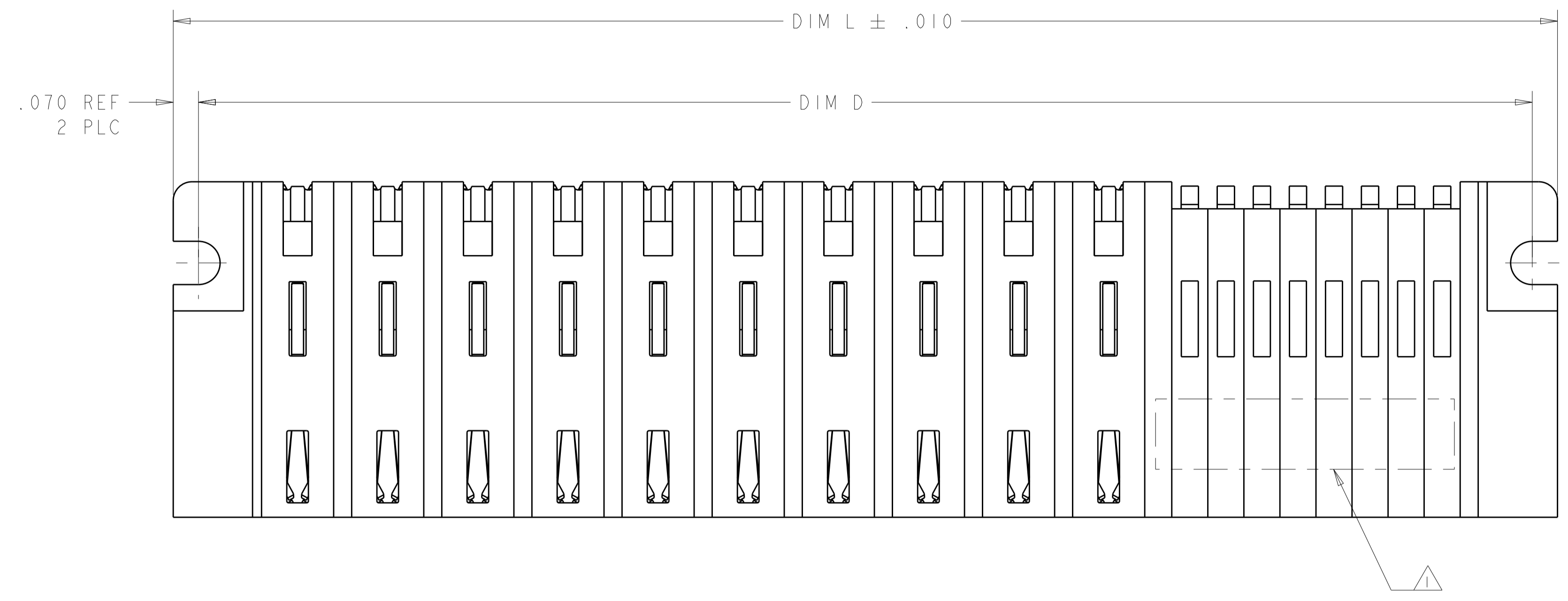
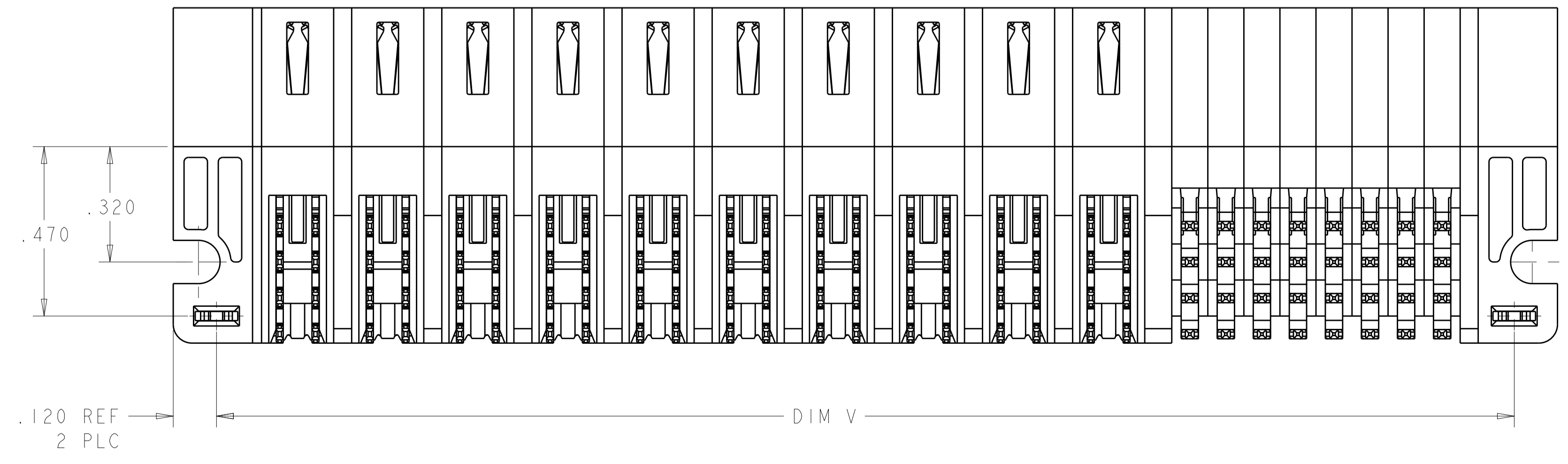
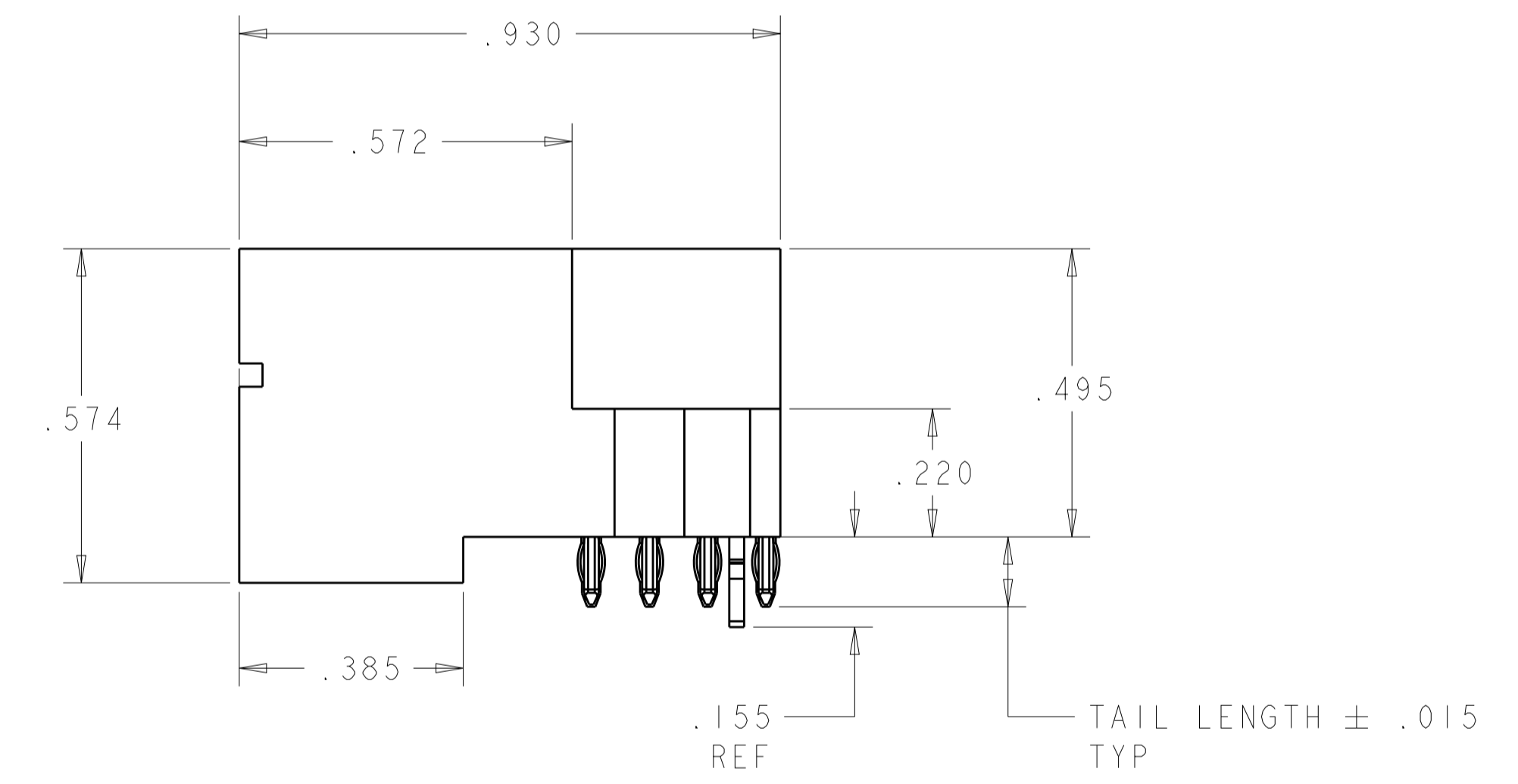
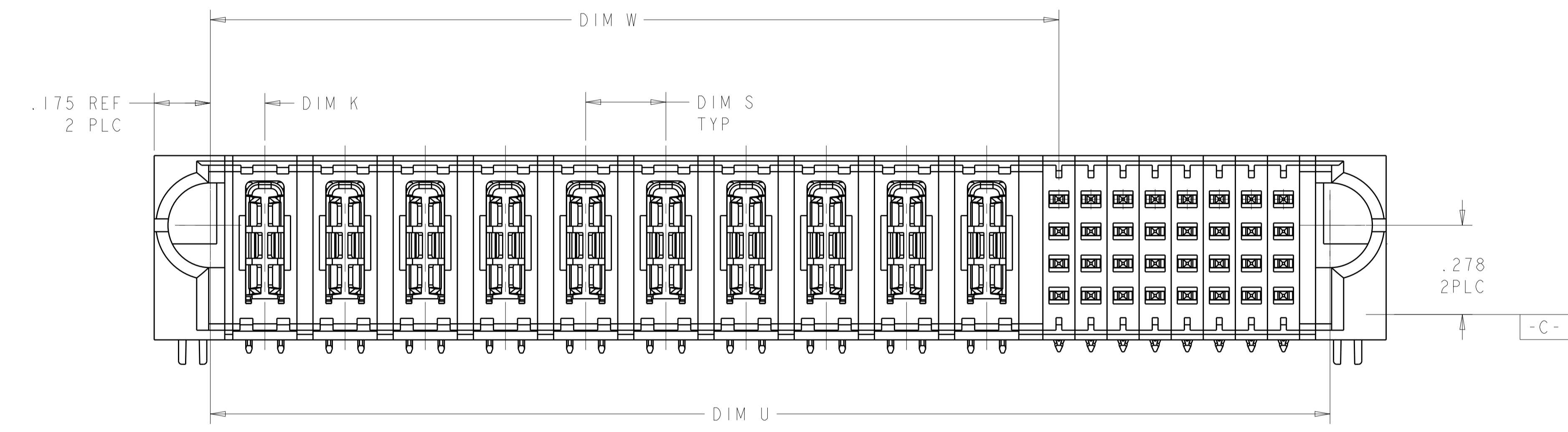


LOC	DIST	REVISIONS					
		P.	LTN	DESCRIPTION	DATE	DWN	APVD
ES	00	B		REVISED I-O BY CUSTOMER	04MAR2015	CZ	SZ



- 1 "AMP", PART NUMBER, AND DATECODE TO BE MARKED IN AREA SHOWN. PARTS UNDER 2.00 LONG MAY BE MARKED ON BOTH SIDES.
- 2 MATERIAL: HOUSING - GLASS FILLED HIGH TEMP THERMO PLASTIC, BLACK, UL94 V-0
 SIGNAL CONTACT - COPPER ALLOY
 POWER CONTACT - HIGH CONDUCTIVITY COPPER ALLOY
- 3 CONTACT PLATING: NOBLE METAL PLATING ON CONTACT FUNCTIONAL AREA OF POWER AND SIGNAL CONTACTS
- 4 MECHANICAL CONNECTOR KEEP OUT ZONE.
- 5 DATUM AND BASIC DIMENSIONS ESTABLISHED BY CUSTOMER.
- 6 PCB - HOLE DIAMETERS ARE FINISHED HOLE SIZE.
- 7 PCB - .0453±.0010 DRILLED HOLES PLATED WITH .0003 MIN Sn OVER .001 TO .003 Cu PLATING TO ACHIEVE A .040 DIA HOLE.
- 8 NOT RELEASED FOR PRODUCTION.
- 9 VARIABLE DIMENSION SEE TABLE.



DIM V	DIM W	DIM U	DIM S	DIM D	DIM L	DIM K	DESCRIPTION	PART NUMBER
1.025	.620	.915	.250	1.125	1.265	.145	2P + 12S	1-6450842-0
3.550	2.795	3.440	9	3.650	3.790	.170	12P + 24S	6450842-7
3.500	2.795	3.390	9	3.600	3.740	.170	3ACP + 8P + 24S	6450842-5
3.550	3.020	3.440	9	3.650	3.790	.145	13P + 24S	6450842-4
3.500	2.795	3.390	9	3.600	3.740	.170	3ACP + 8P + 24S	6450842-2
3.350	2.445	3.240	9	3.450	3.590	.145	10P + 32S	6450842-3
3.600	2.645	3.490	.250	3.700	3.840	.170	10P + 32S	6450842-1

THIS DRAWING IS A CONTROLLED DOCUMENT. DWN: HESPER LIU 09JUL2008
 CHK: S. ZHAO 09JUL2008
 APVD: S. ZHAO

DIMENSIONS: INCHES
 TOLERANCES UNLESS OTHERWISE SPECIFIED:
 0 PLC ±.
 1 PLC ±.01
 2 PLC ±.01
 3 PLC ±.005
 4 PLC ±.0020
 ANGLES ±.0020

MATERIAL: FINISH:

PRODUCT SPEC: 108-2292
 APPLICATION SPEC: 114-13251
 WEIGHT: -

CUSTOMER DRAWING

STE TE Connectivity
 RIGHT ANGLE HEADER
 W/ LP CONTACT AND SHORT END MODULES
 MULTI-BEAM XLE

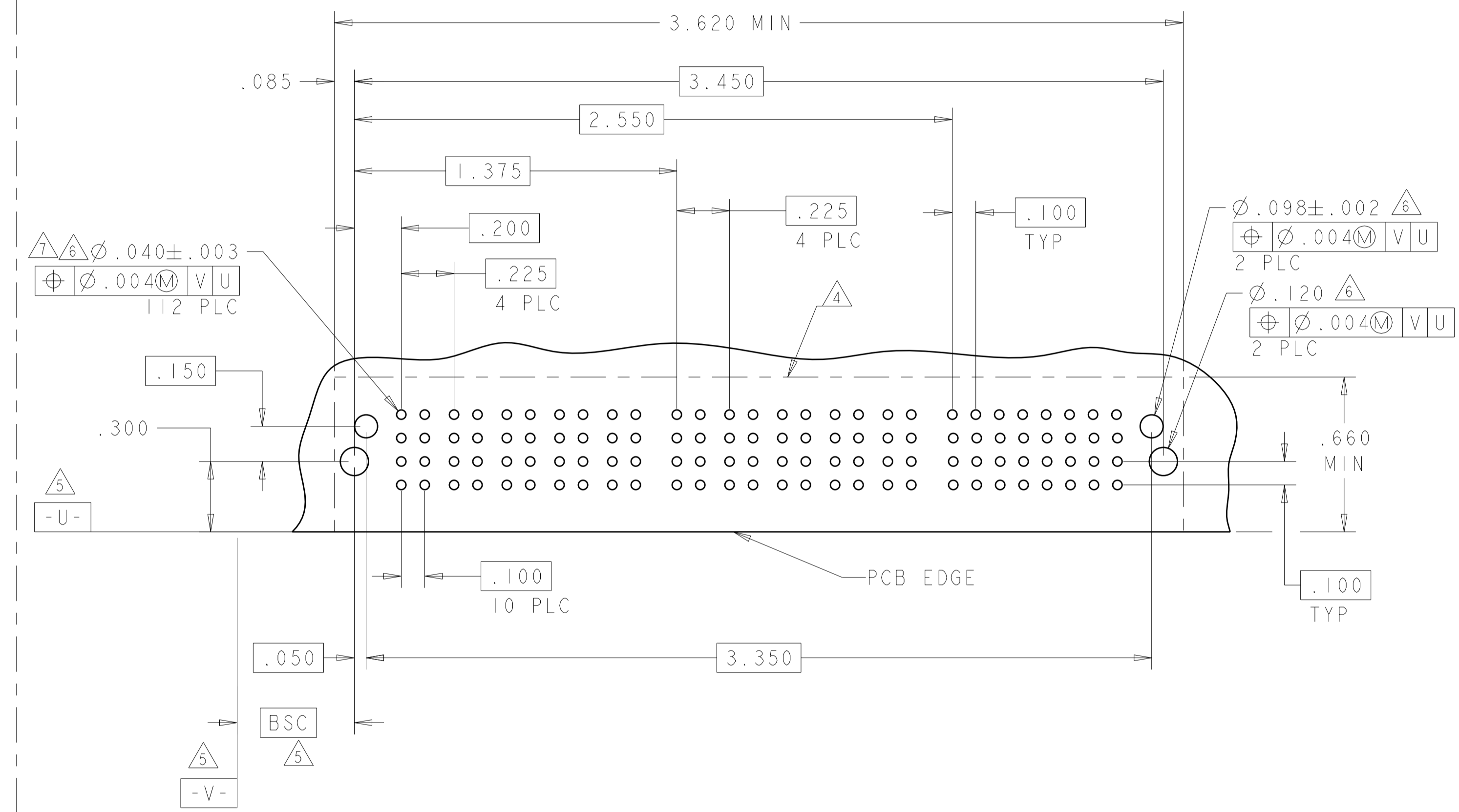
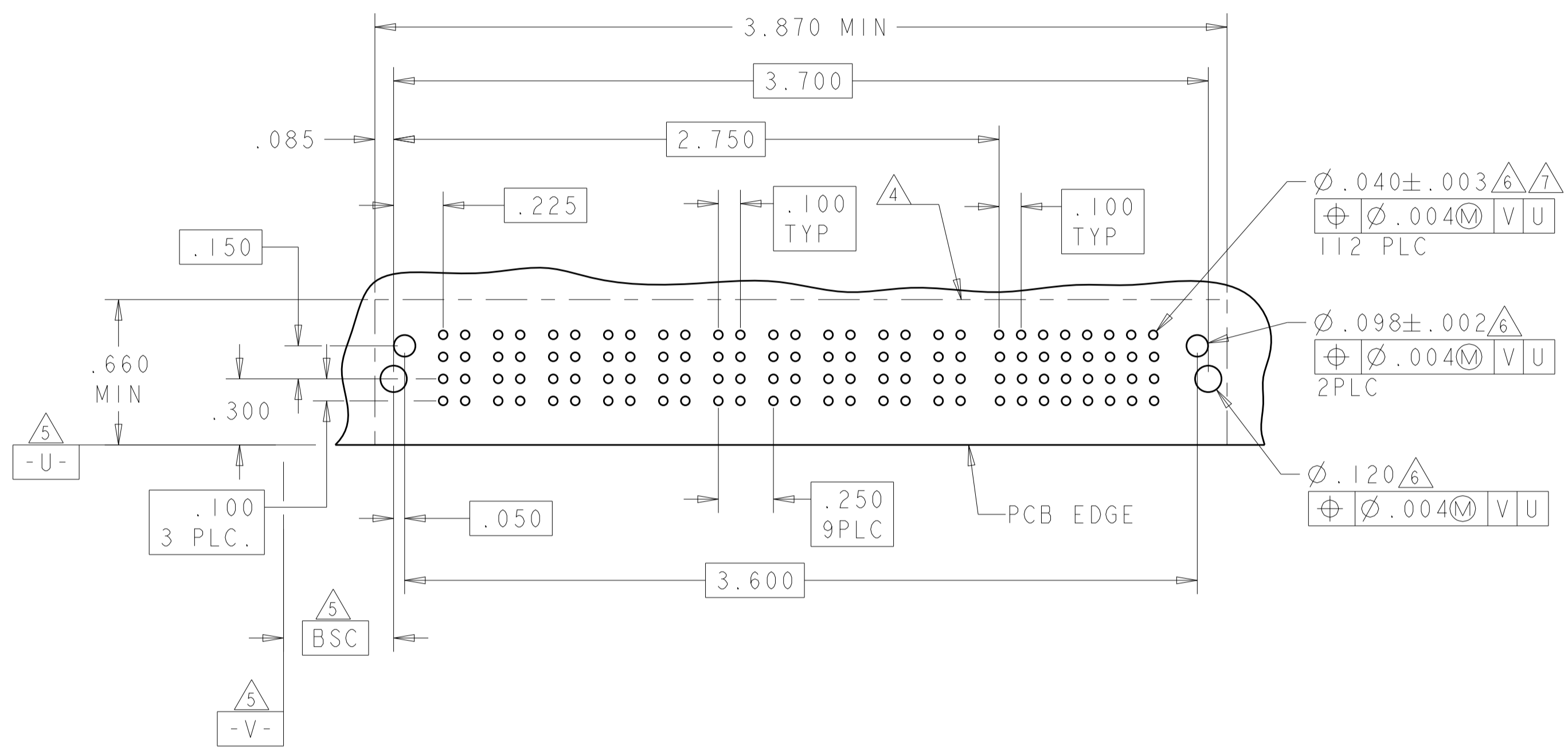
SIZE: A1
 CAGE CODE: 00779
 DRAWING NO: 6450842
 RESTRICTED TO: -

SCALE: 4:1 SHEET 1 OF 6 REV B

LOC	DIST	REVISIONS			
		REV	DATE	BY	APPV
ES	00	-	SEE SHEET 1	-	-

PART NUMBER	ROWS	POWER										SIGNAL									
		P1	P2	P3	P4	P5	P6	P7	P8	P9	P10	1	2	3	4	5	6	7	8		
6450842-1	D											Z5	Z5	Z5	Z5	Z5	Z5	Z5	Z5		
	C											Y5	Y5	Y5	Y1	Y1	Y5	Y5	Y5		
	B	TT	TT	TT	TT	TT	TT	TT	TT	TT	TT	R5	R5	R5	R1	R1	R5	R5	R5		
	A	TT	TT	TT	TT	TT	TT	TT	TT	TT	TT	O5	O5	O5	O5	O5	O5	O5	O5		
10P + 32S																					

PART NUMBER	ROWS	POWER										SIGNAL									
		P1	P2	P3	P4	P5	P6	P7	P8	P9	P10	1	2	3	4	5	6	7	8		
6450842-3	D											Z5	Z5	Z5	Z5	Z5	Z5	Z5	Z5		
	C											Y5	Y5	Y5	Y5	Y5	Y5	Y5	Y5		
	B	TT	TT	TT	TT	TT	TT	TT	TT	TT	TT	R5	R5	R5	R5	R5	R5	R5	R5		
	A	TT	TT	TT	TT	TT	TT	TT	TT	TT	TT	O1	O1	O1	O1	O1	O1	O1	O1		
10P + 32S																					



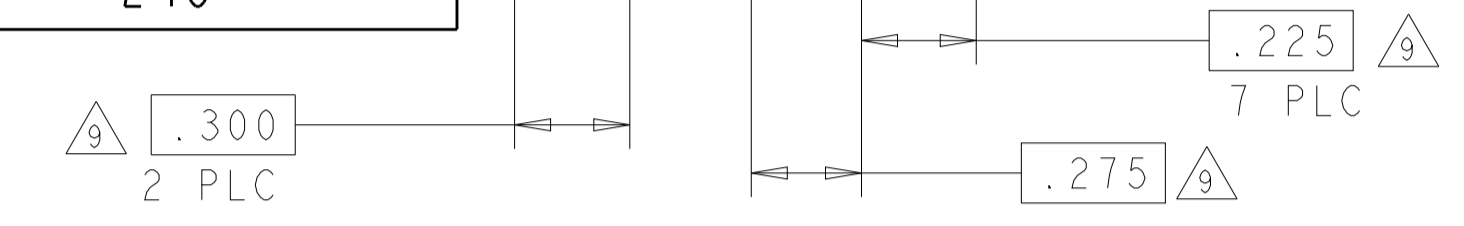
DESCRIPTION	IDENTIFIER
.120 SIGNAL MLBF PRESS FIT CON, ROW C	Y1
.120 SIGNAL MLBF PRESS FIT CON, ROW B	R1
.120 SIGNAL MLBF PRESS FIT CON, ROW A	O1
.120 SIGNAL MLBF PRESS FIT CON, ROW D	Z1
.120 SIGNAL PRESS FIT CON, ROW A, STD	O5
.120 SIGNAL PRESS FIT CON, ROW B, STD	R5
.120 SIGNAL PRESS FIT CON, ROW C, STD	Y5
.120 SIGNAL PRESS FIT CON, ROW D, STD	Z5
.120 PRESS FIT POWER CON	TT

THIS DRAWING IS A CONTROLLED DOCUMENT.		OWN: HESPER LTD 09JUL2008	 TE Connectivity
DIMENSIONS: INCHES		CHK: S. ZHAO 09JUL2008	
TOLERANCES UNLESS OTHERWISE SPECIFIED:		APVD: S. ZHAO	NAME: RIGHT ANGLE HEADER W/ LP CONTACT AND SHORT END MODULES MULTI-BEAM XLE
0 PLC ±. 1 PLC ±.01 2 PLC ±.01 3 PLC ±.005 4 PLC ±.002 ANGLES ±.020		PRODUCT SPEC: 108-2292	RESTRICTED TO: -
MATERIAL: -		APPLICATION SPEC: 114-13251	SIZE: A100779
FINISH: -		WEIGHT: -	CAGE CODE: 6450842
CUSTOMER DRAWING		SCALE: 4:1	SHEET 2 OF 6 REV B

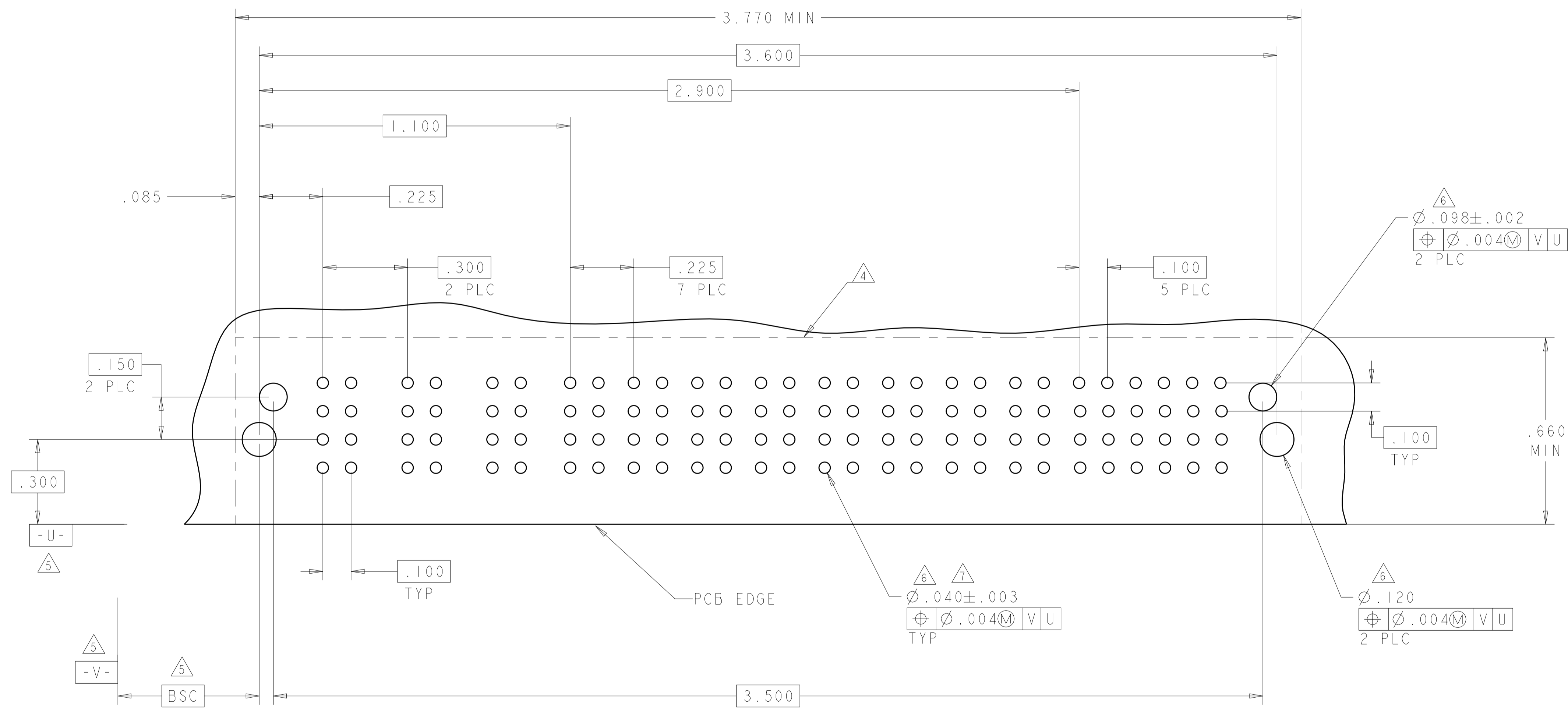
LOC	DIST	REV	DATE	BY	APPV
ES	00				
REVISIONS					
DESCRIPTION			DATE	BY	APPV
SEE SHEET 1					

PART NUMBER	ROWS	POWER										SIGNAL					
		P1	P2	P3	P4	P5	P6	P7	P8	P9	P10	P11	1	2	3	4	5
6450842-2	D C B A	TT	TT	TT	TT	TT	TT	TT	TT	TT	TT	Z1	Z1	Z5	Z5	Z1	Z1
												Y5	Y1	Y5	Y5	Y5	Y5
												R5	R1	R1	R1	R1	R1
												O5	O5	O5	O5	O5	O5

PART NUMBER	ROWS	POWER										SIGNAL					
		P1	P2	P3	P4	P5	P6	P7	P8	P9	P10	P11	1	2	3	4	5
6450842-5	D C B A	TT	TT	TT	TT	TT	TT	TT	TT	TT	TT	Z1	Z1	Z5	Z5	Z1	Z1
												Y5	Y1	Y5	Y5	Y5	Y5
												R5	R1	R1	R1	R1	R1
												O5	O5	O5	O5	O5	O5



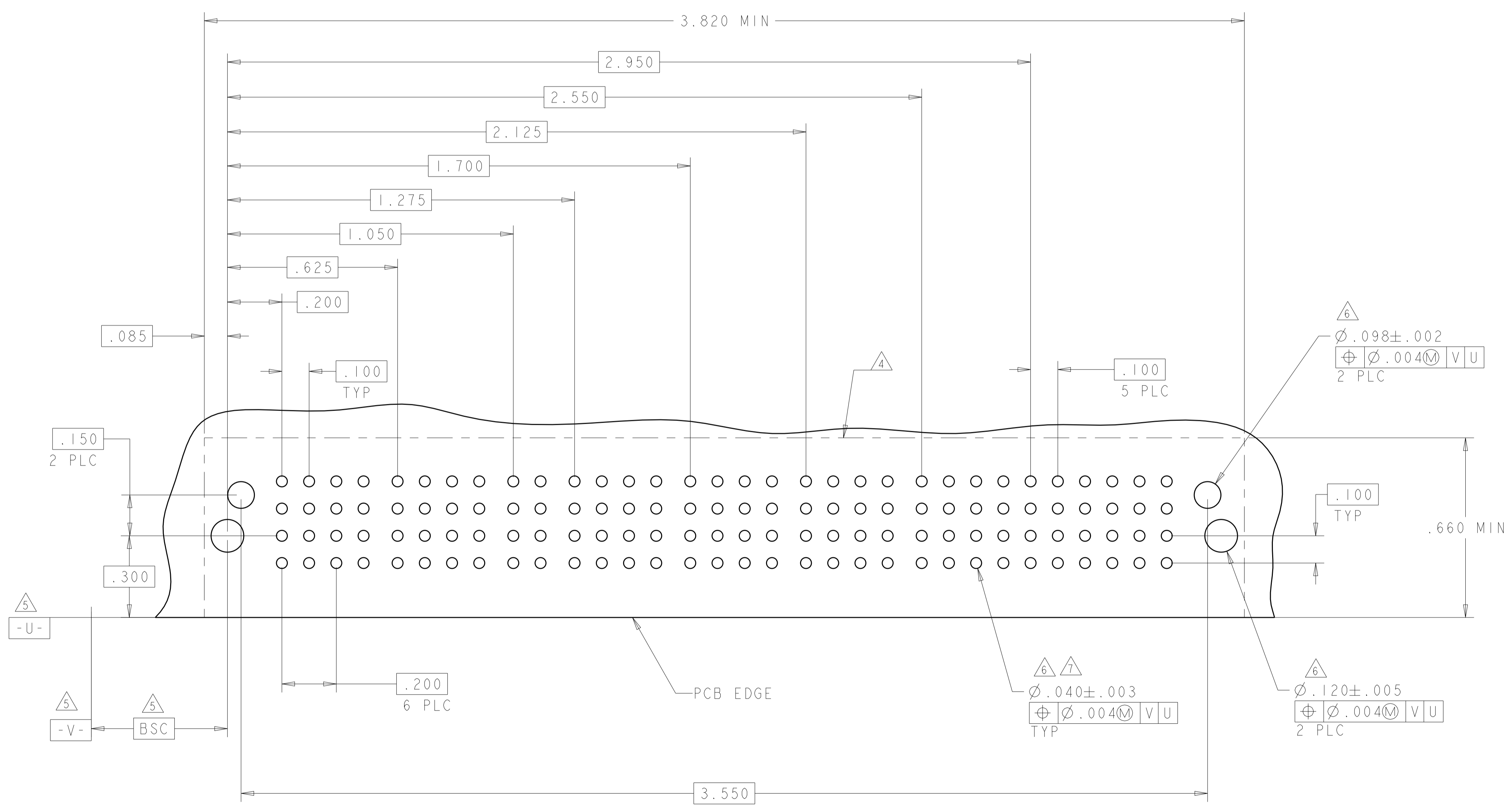
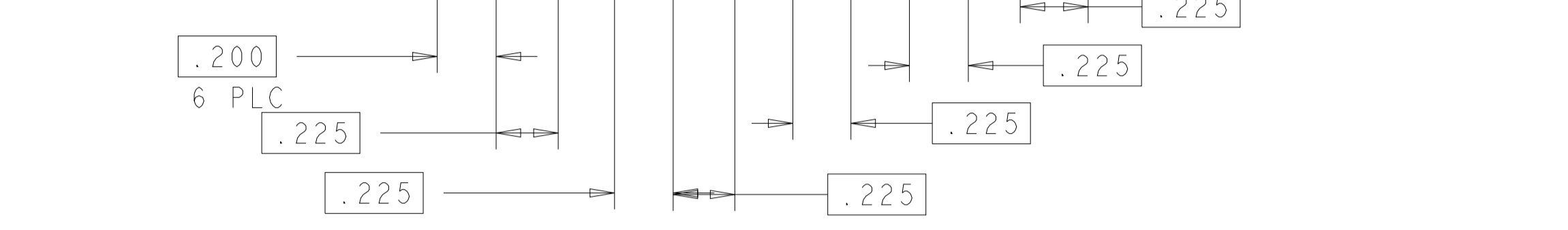
PCB LAYOUT IS THE SAME AS 6450842-2



THIS DRAWING IS A CONTROLLED DOCUMENT.		OWN: HESPER LTD 09JUL2008	TE Connectivity
DIMENSIONS: INCHES		CHK: S. ZHAO 09JUL2008	
TOLERANCES UNLESS OTHERWISE SPECIFIED:		APVD: S. ZHAO	NAME: RIGHT ANGLE HEADER W/ LP CONTACT AND SHORT END MODULES MULTI-BEAM XLE
0 PLC ±. 1 PLC ±.01 2 PLC ±.01 3 PLC ±.005 4 PLC ±.002 ANGLES ±.2°		PRODUCT SPEC: 108-2292	RESTRICTED TO:
MATERIAL:		APPLICATION SPEC: 114-13251	SIZE: A100779
FINISH:		WEIGHT:	CAGE CODE: 6450842
CUSTOMER DRAWING		SCALE: 4:1	SHEET 3 OF 6 REV B

LOC	DIST	REVISIONS					
		P	LTN	DESCRIPTION	DATE	OWN	APVD
ES	00	-	-	SEE SHEET 1	-	-	-

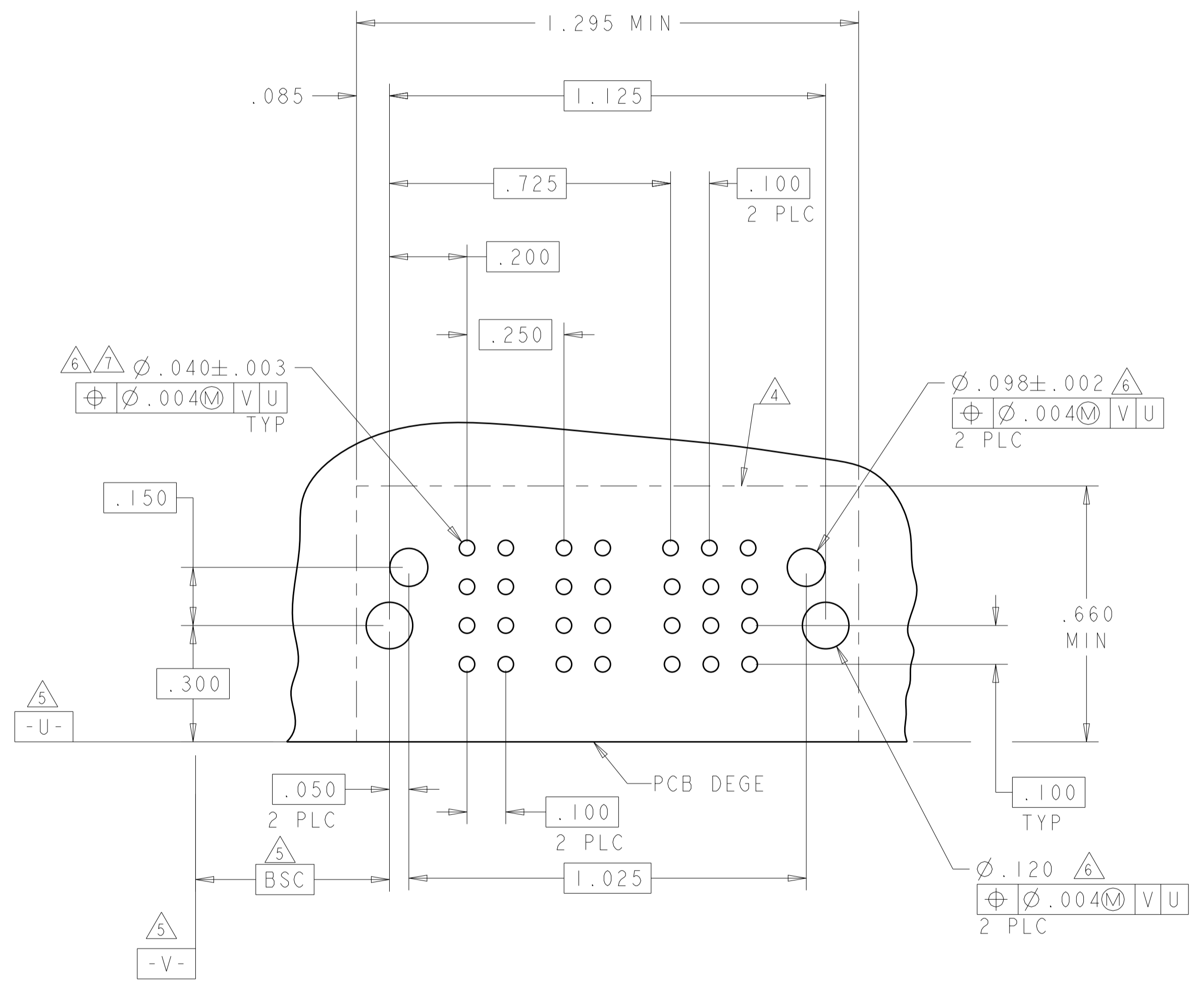
PART NUMBER	ROWS	POWER													SIGNAL					
		P1	P2	P3	P4	P5	P6	P7	P8	P9	P10	P11	P12	P13	1	2	3	4	5	6
6450842-4	D C B A	TT	TT	TT	TT	TT	TT	TT	TT	TT	TT	TT	TT	TT	Z1	Z1	Z5	Z5	Z1	Z1
		TT	TT	TT	TT	TT	TT	TT	TT	TT	TT	TT	TT	TT	Y5	Y1	Y5	Y5	Y5	Y5
		TT	TT	TT	TT	TT	TT	TT	TT	TT	TT	TT	TT	TT	R5	R1	R5	R1	R1	R1
		TT	TT	TT	TT	TT	TT	TT	TT	TT	TT	TT	TT	TT	O5	O5	O5	O5	O5	O5



THIS DRAWING IS A CONTROLLED DOCUMENT.		OWN: HESPER L11 09JUL2008	 TE Connectivity
DIMENSIONS: INCHES		CHK: S. ZHAO 09JUL2008	
 TOLERANCES UNLESS OTHERWISE SPECIFIED: 0 PLC ±. 1 PLC ±.01 2 PLC ±.01 3 PLC ±.005 4 PLC ±.0020 ANGLES ±.2°		APVD: S. ZHAO	NAME: RIGHT ANGLE HEADER W/ LP CONTACT AND SHORT END MODULES MULTI-BEAM XLE
MATERIAL: -		PRODUCT SPEC: 108-2292	SIZE: A100779
FINISH: -		APPLICATION SPEC: 114-13251	CAGE CODE: C=6450842
CUSTOMER DRAWING		WEIGHT: -	RESTRICTED TO: -
SCALE: 4:1		SHEET: 4 OF 6	REV: B

LOC	DIST	REVISIONS					
		P	LTN	DESCRIPTION	DATE	DMN	APVD
ES	00	-	-	SEE SHEET 1	-	-	-

PART NUMBER	ROWS	POWER		SIGNAL		
		P1	P2	1	2	3
1-6450842-0	D	TT	TT	Z5	Z5	Z5
	C			Y5	Y5	Y5
	B			R5	R5	R1
	A			O5	O5	O1
2P + 12S		HD				HD



THIS DRAWING IS A CONTROLLED DOCUMENT.		DMN HESPER L11 09JUL2008	TE Connectivity
DIMENSIONS: INCHES		CHK S. ZHAO 09JUL2008	
		TOLERANCES UNLESS OTHERWISE SPECIFIED:	NAME
0 PLC ±		APVD S. ZHAO	RIGHT ANGLE HEADER
1 PLC ±.01		PRODUCT SPEC	W/ LP CONTACT AND SHORT END MODULES
2 PLC ±.01		APPLICATION SPEC	MULTI-BEAM XLE
3 PLC ±.005		SIZE CAGE CODE DRAWING NO	RESTRICTED TO
4 PLC ±.0020		114-13251	A100779C=6450842
ANGLES ±.2°		WEIGHT	
FINISH		CUSTOMER DRAWING	SCALE 4:1 SHEET 6 OF 6 REV B

单击下面可查看定价，库存，交付和生命周期等信息

[>>TE Connectivity\(泰科\)](#)