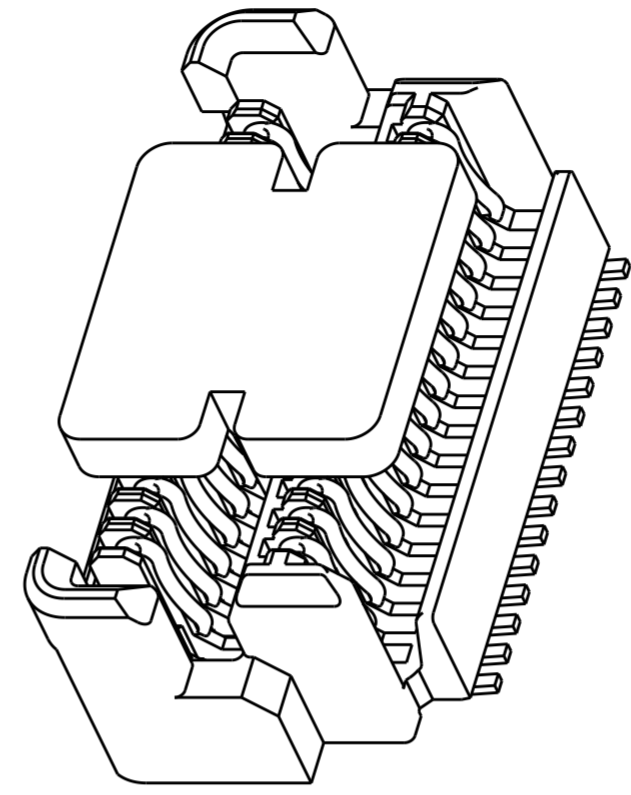
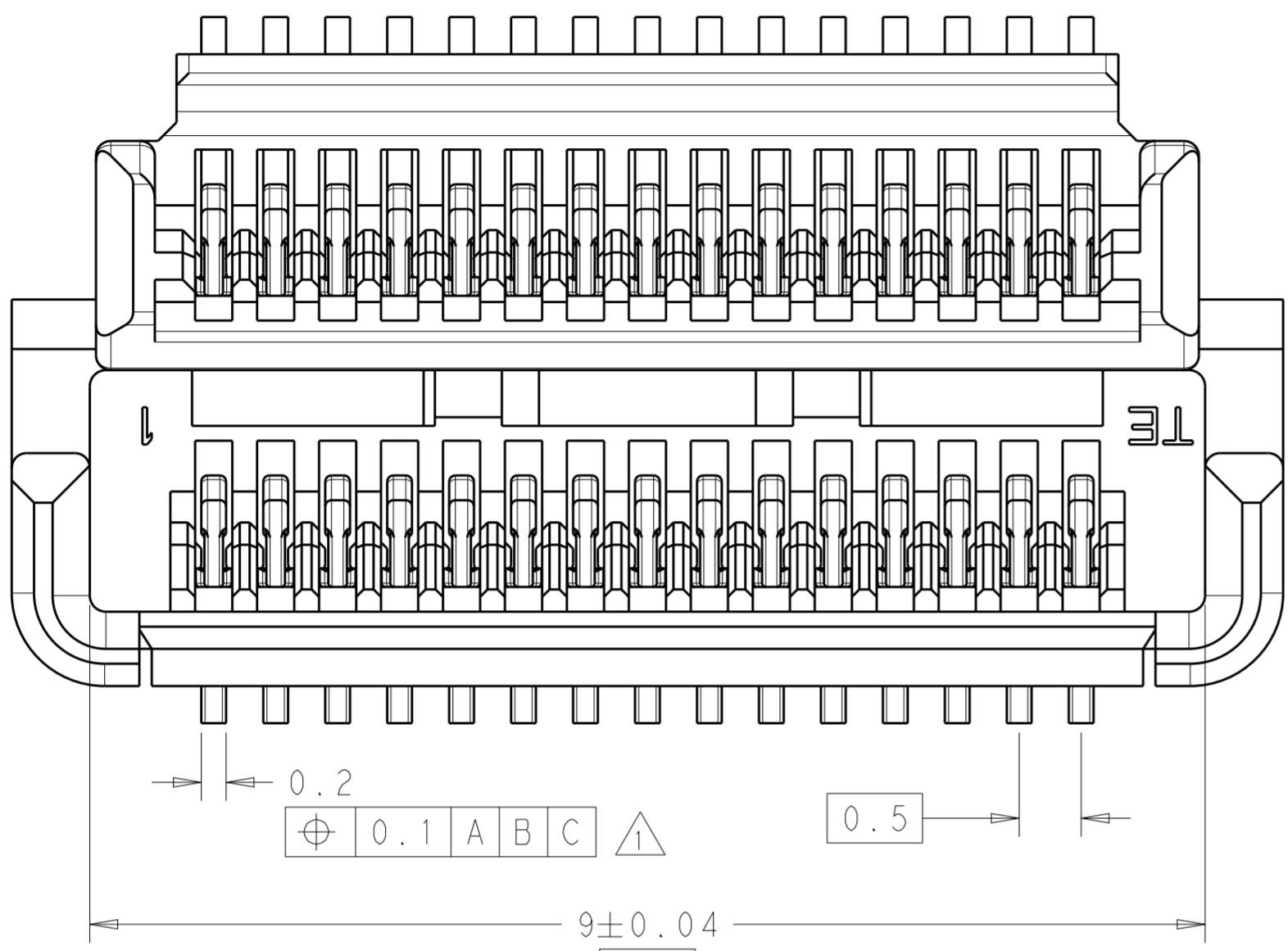


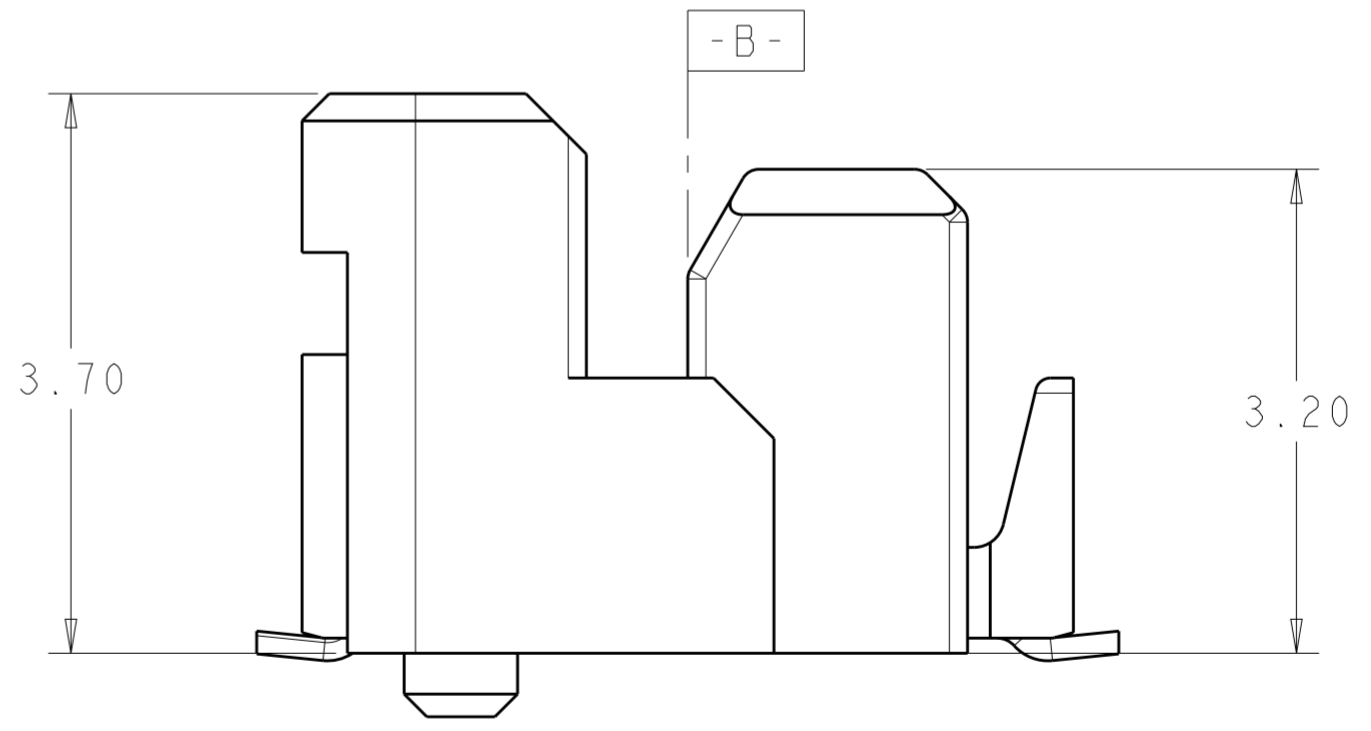
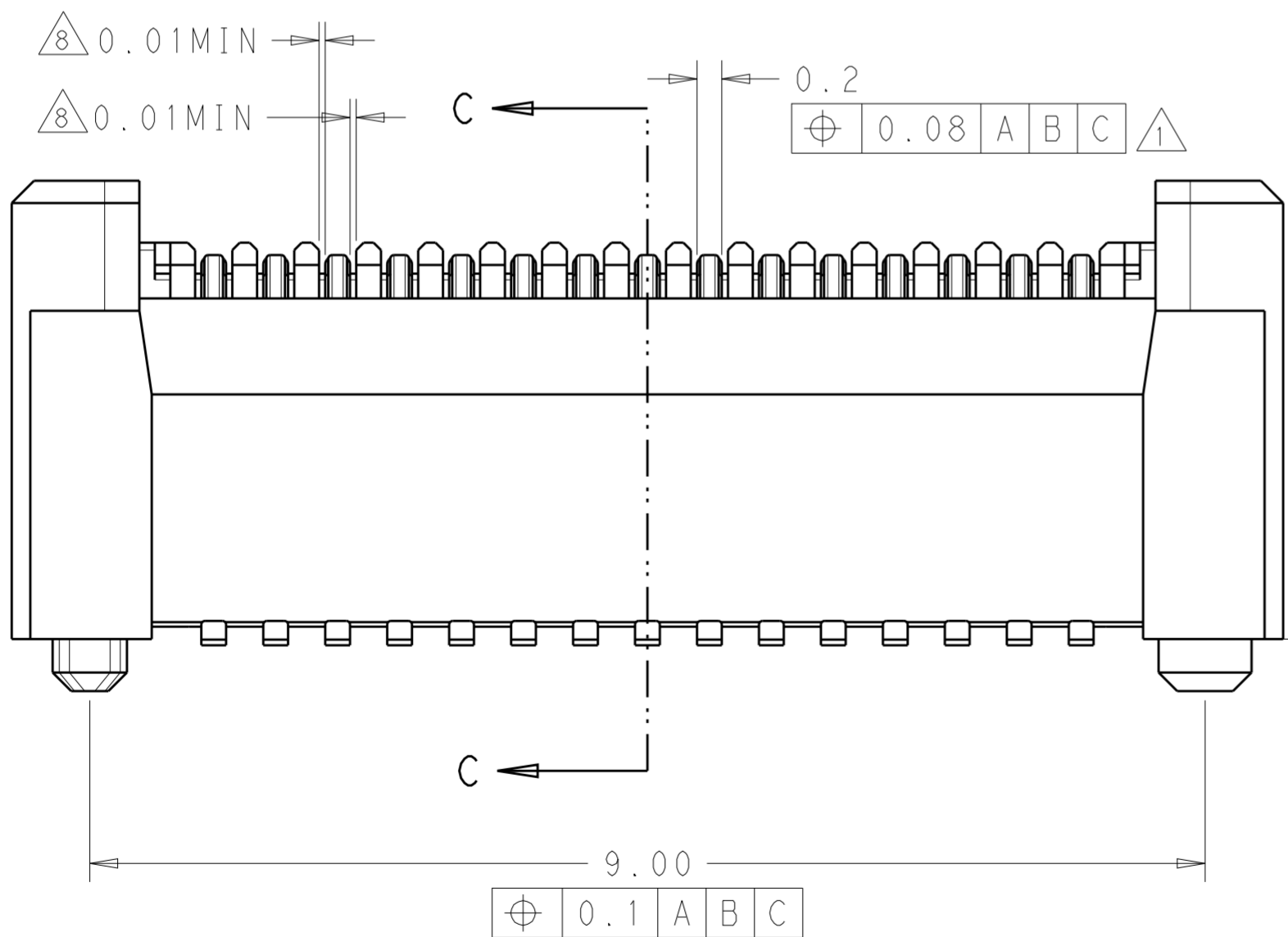
THIS DRAWING IS UNPUBLISHED. RELEASED FOR PUBLICATION  
 © COPYRIGHT copyright.d8te- ALL RIGHTS RESERVED.

REVISIONS					
P	LTR	DESCRIPTION	DATE	DWN	APVD
A		NEW RELEASE	18MAY2017	B.J	S.Y



NOTES:

- 1. MATERIALS:
  - HOUSING: L.C.P (HIGH TEMP THERMOPLASTIC) UL 94V-0
  - CAP: L.C.P (HIGH TEMP THERMOPLASTIC) UL 94V-0
  - CONTACT: COPPER ALLOY
- 2. FINISH:
  - ENGAGEMENT AREA: 0.00038MM MIN GOLD
  - SOLDERING AREA: 0.00005MM MIN GOLD
  - UNDERPLATING: 0.00127MM MIN NICKEL ALL OVER

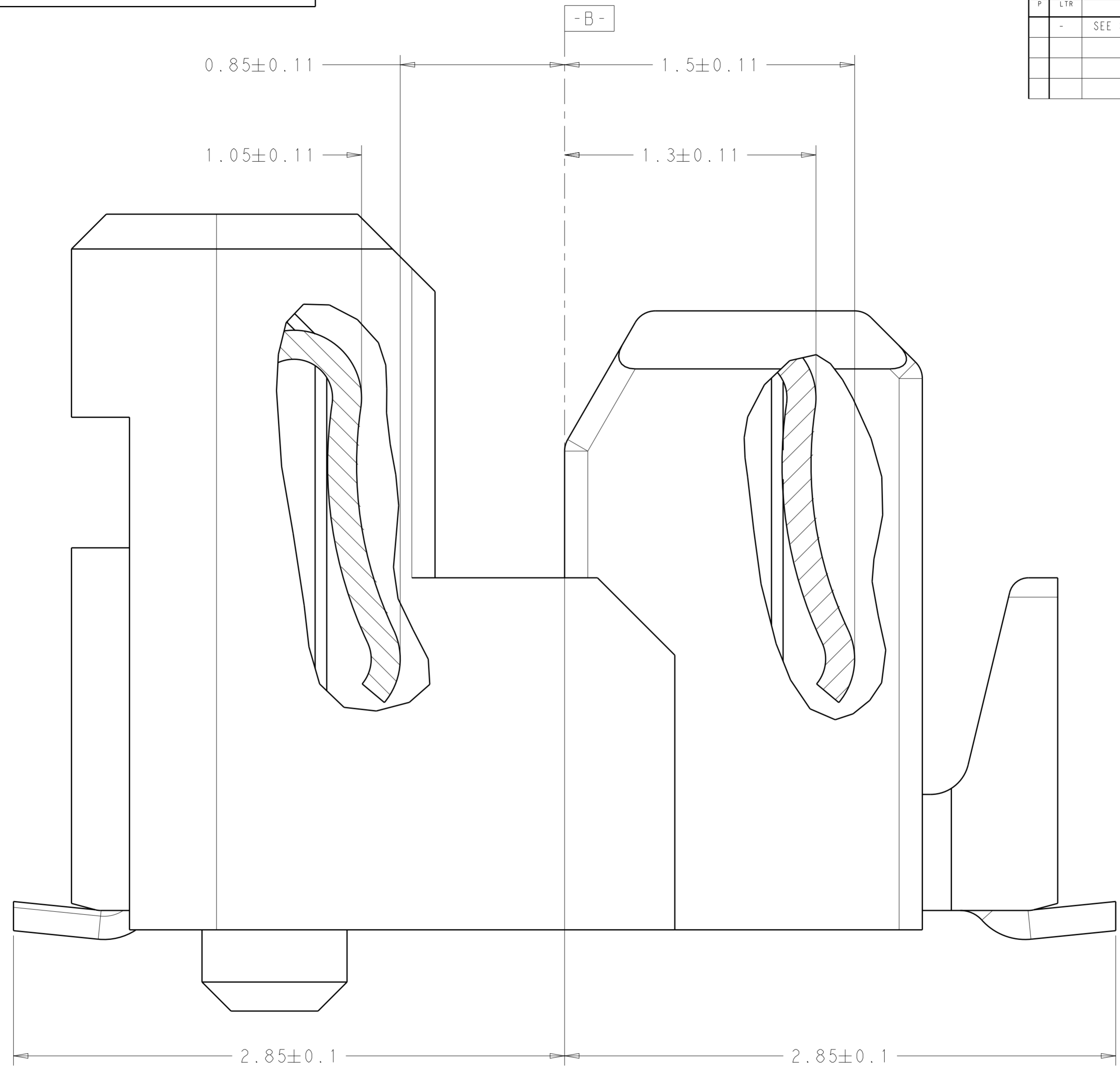


2291283-1 WITHOUT CAP

THIS DRAWING IS A CONTROLLED DOCUMENT.		DWN B.J 18MAY2017	TE Connectivity			
DIMENSIONS: mm		CHK A.S 18MAY2017				NAME 0.5MM FPH BTB CONN. 30POS 4MM MATING HEIGHT
TOLERANCES UNLESS OTHERWISE SPECIFIED:		APVD S.Y 18MAY2017				PRODUCT SPEC -
0 PLC ± 1 PLC ±0.2 2 PLC ±0.08 3 PLC ± 4 PLC ± ANGLES ± FINISH -		APPLICATION SPEC -				SIZE A2
MATERIAL	-	WEIGHT	-	CAGE CODE	-	
-		finish_spec_2	CUSTOMER DRAWING	DRAWING NO	C-2291283	
		SCALE	10:1	SHEET	1 OF 5	
		REV	A			

THIS DRAWING IS UNPUBLISHED. RELEASED FOR PUBLICATION  
 © COPYRIGHT copyright.d8te- ALL RIGHTS RESERVED.

REVISIONS				
P	LTR	DESCRIPTION	DATE	APVD
-		SEE SHEET 1	-	-



SECTION C-C  
 SCALE 60:1

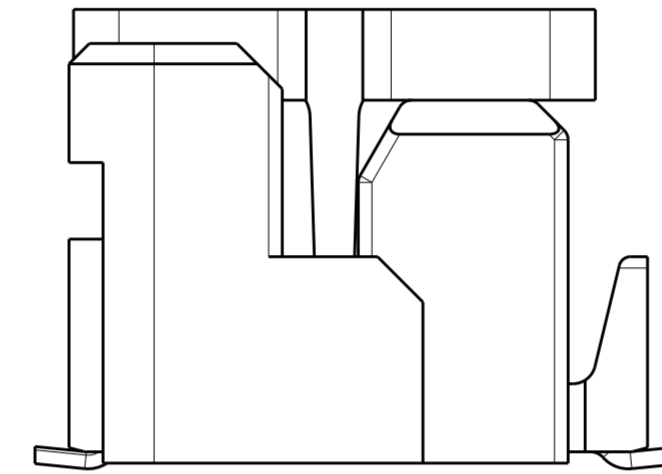
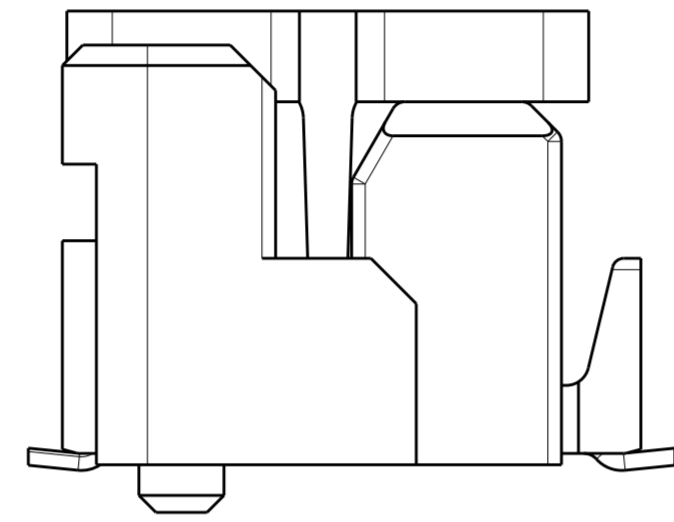
THIS DRAWING IS A CONTROLLED DOCUMENT.		DWN B.J	18MAY2017	 TE Connectivity
		CHK A.S	18MAY2017	
		APVD S.Y	18MAY2017	
		PRODUCT SPEC		
DIMENSIONS:		TOLERANCES UNLESS OTHERWISE SPECIFIED:		NAME
mm	0 PLC ±	0.2		0.5MM FPH BTB CONN.
	1 PLC ±	0.08		30POS 4MM MATING HEIGHT
	2 PLC ±			
	3 PLC ±			
	4 PLC ±			
	ANGLES ±			
	FINISH ±			
MATERIAL	-	finish_spec_2		SIZE
		CUSTOMER DRAWING		A2
		SCALE 10:1		CAGE CODE
		SHEET 2 OF 5		DRAWING NO
		REV A		C-2291283
		RESTRICTED TO		

THIS DRAWING IS UNPUBLISHED. RELEASED FOR PUBLICATION  
 © COPYRIGHT copyright.d8te- ALL RIGHTS RESERVED.

REVISIONS				
P	LTR	DESCRIPTION	DATE	APVD
-		SEE SHEET 1	-	-

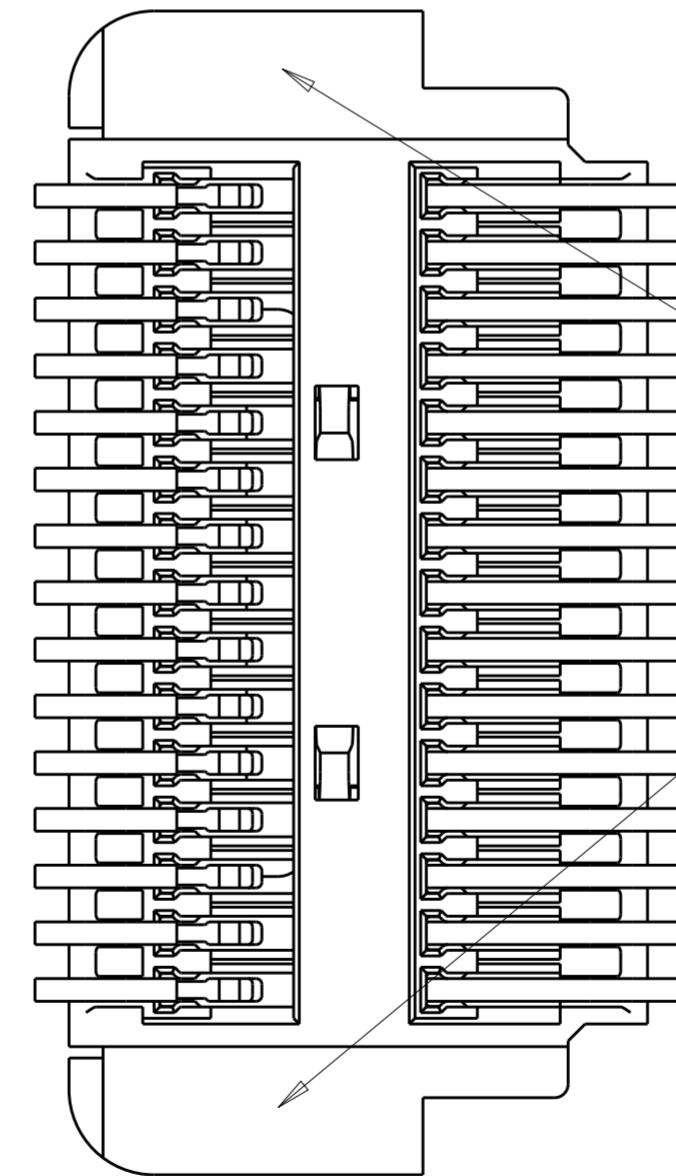
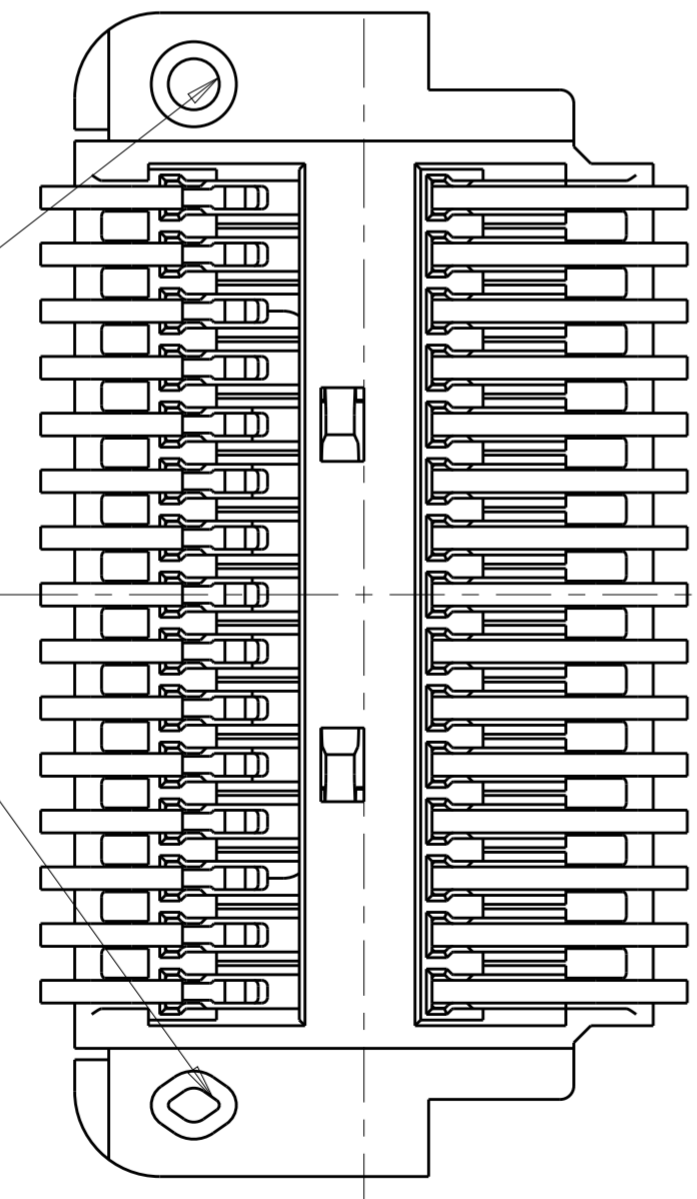
2291283-1 WITH CAP  
(WITH BOSS VERSION)


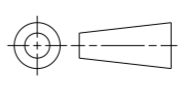
2291283-2 WITH CAP  
(WITHOUT BOSS VERSION)



WITH POST

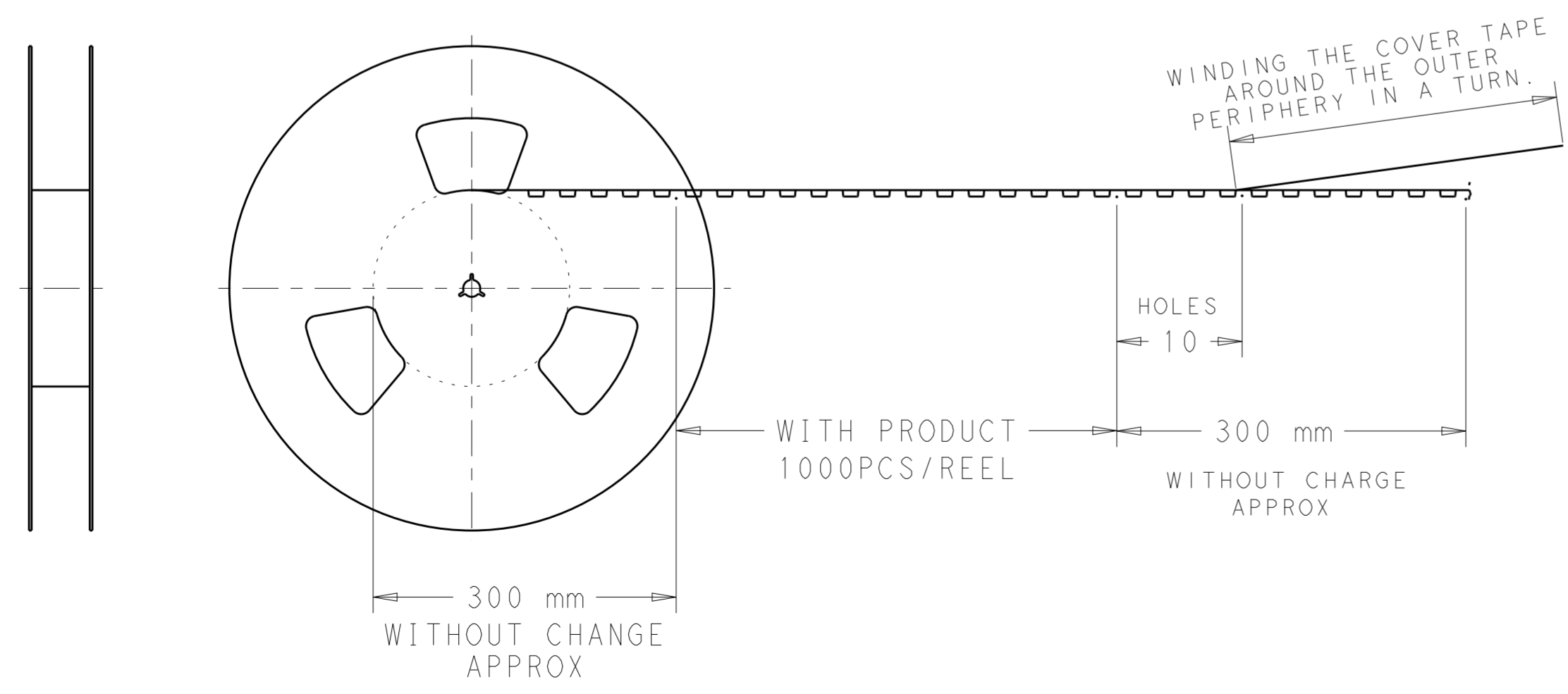
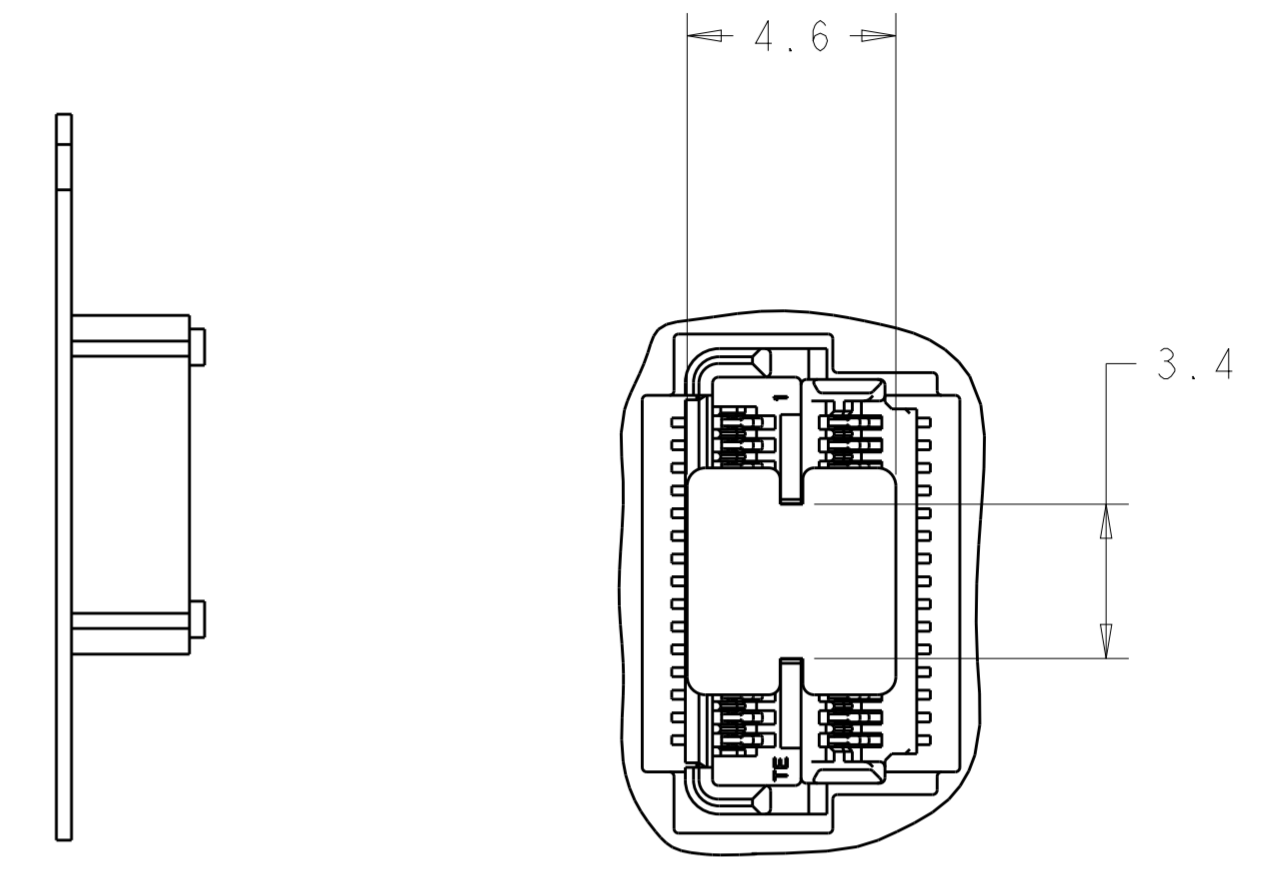
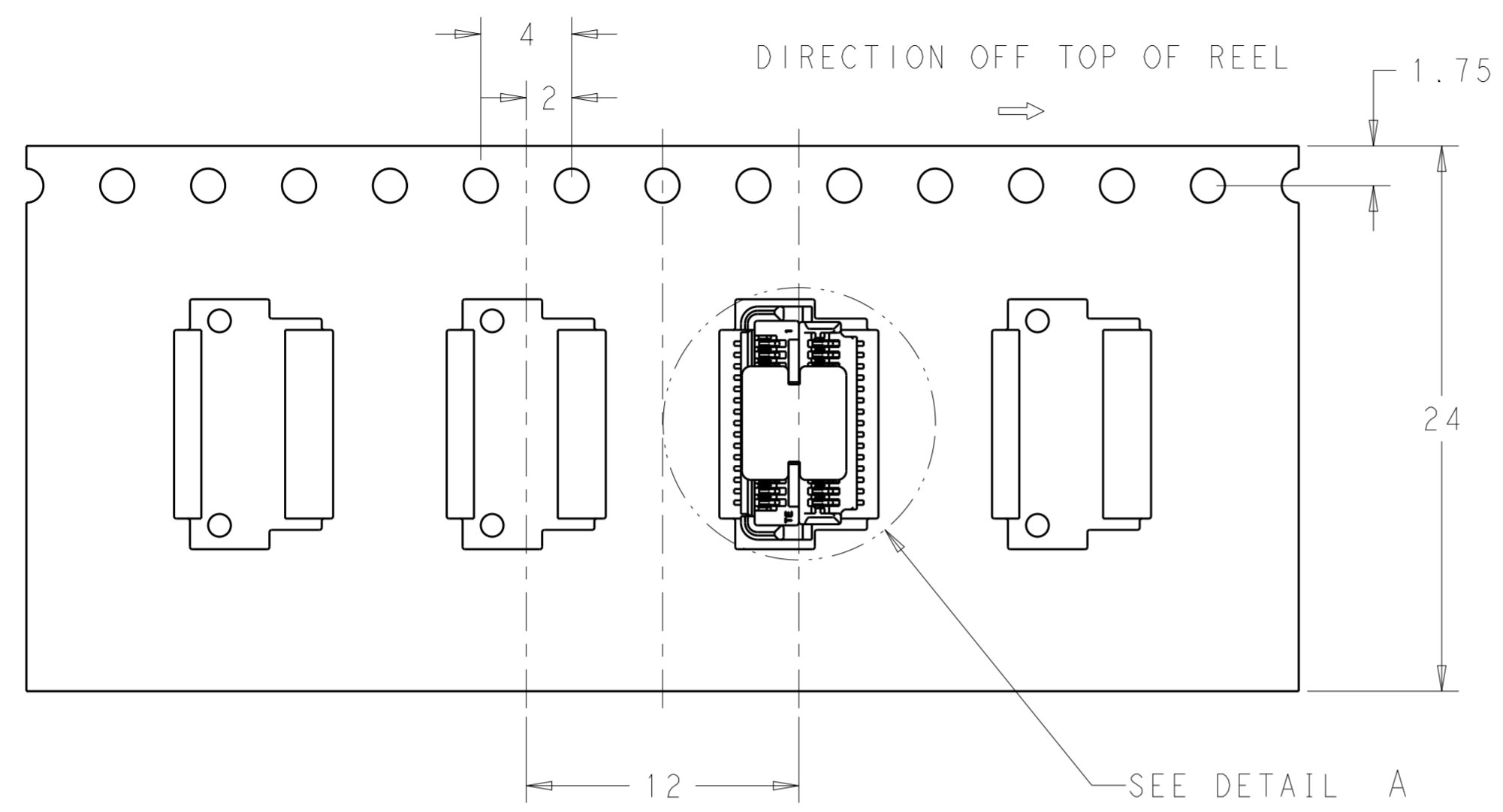
WITHOUT POST



THIS DRAWING IS A CONTROLLED DOCUMENT.		DWN B. J	18MAY2017	 TE Connectivity
		CHK A. S	18MAY2017	
		APVD S. Y	18MAY2017	
		PRODUCT SPEC	-	
DIMENSIONS: mm 		TOLERANCES UNLESS OTHERWISE SPECIFIED: 0 PLC ± 1 PLC ±0.2 2 PLC ±0.08 3 PLC ± 4 PLC ± ANGLES ±1° FINISH -		NAME 0.5MM FPH BTB CONN. 30POS 4MM MATING HEIGHT
MATERIAL -		FINISH -	finish_spec_2	APPLICATION SPEC - WEIGHT - SIZE A2 CAGE CODE DRAWING NO. C-2291283 RESTRICTED TO -
		CUSTOMER DRAWING		SCALE 10:1 SHEET 3 OF 5 REV A

THIS DRAWING IS UNPUBLISHED. RELEASED FOR PUBLICATION  
COPYRIGHT copyright.d8te- ALL RIGHTS RESERVED.

REVISIONS					
P	LTR	DESCRIPTION	DATE	DWN	APVD
-		SEE SHEET 1	-	-	-

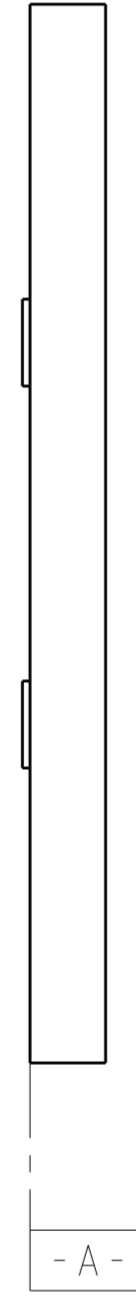
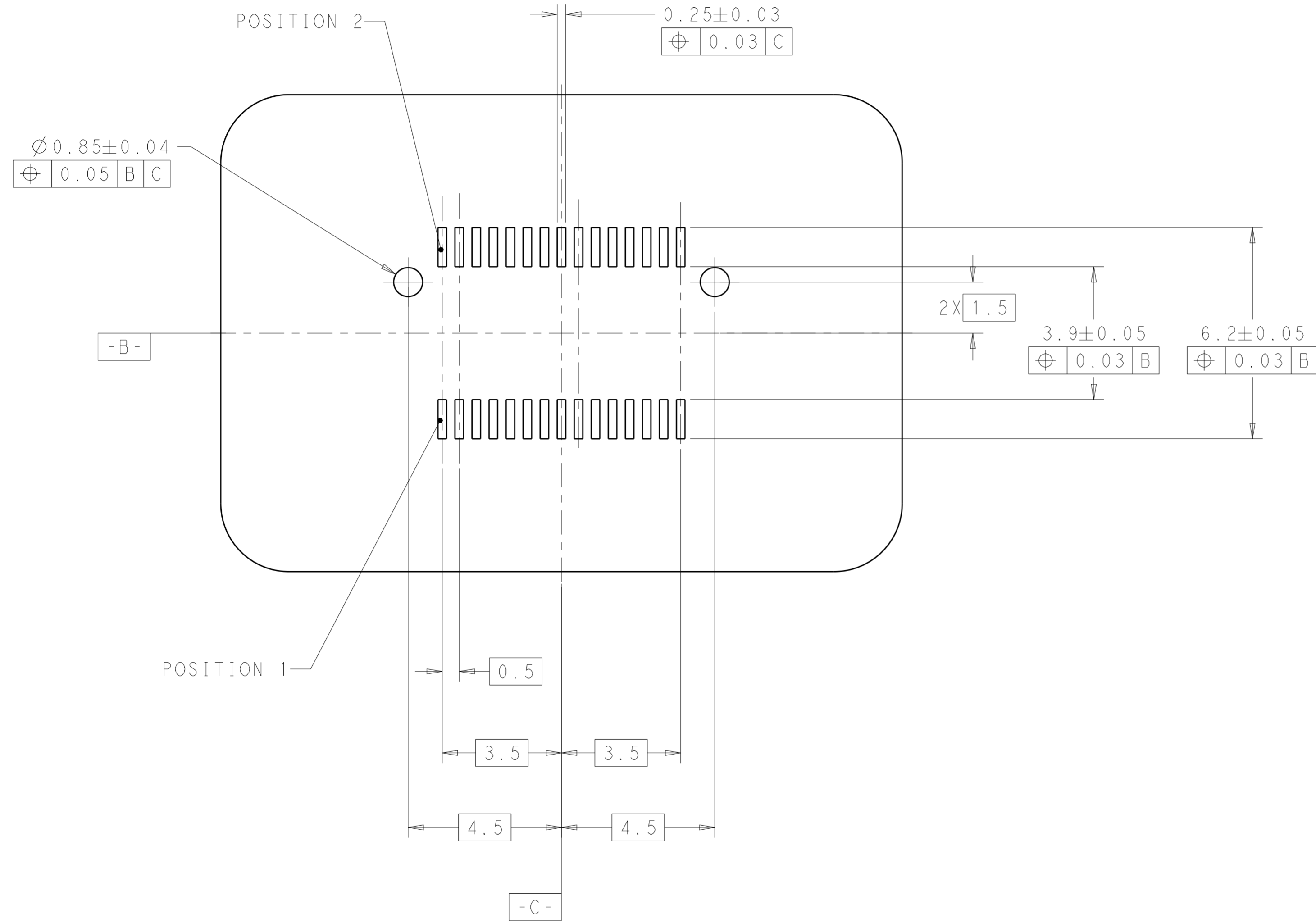


NATURAL	BLACK	WITHOUT	△2	1100	30	2291283-2
NATURAL	BLACK	WITH	△2	1100	30	2291283-1
CAP COLOR	HSG COLOR	LOCATION POST	FINISH	QTY/R	POS	P/N

THIS DRAWING IS A CONTROLLED DOCUMENT.		DWN B.J 18MAY2017	 TE Connectivity
DIMENSIONS: mm		CHK A.S 18MAY2017	
TOLERANCES UNLESS OTHERWISE SPECIFIED:		APVD S.Y 18MAY2017	
0 PLC ± 1 PLC ±0.2 2 PLC ±0.08 3 PLC ± 4 PLC ± ANGLES ± FINISH ±		PRODUCT SPEC -	NAME 0.5MM FPH BTB CONN 30POS 4MM MATING HEIGHT
MATERIAL -	finish_spec_2	APPLICATION SPEC -	SIZE A2
CUSTOMER DRAWING		WEIGHT -	DRAWING NO C-2291283
		RESTRICTED TO -	SCALE 10:1
			SHEET 4 OF 5
			REV A

THIS DRAWING IS UNPUBLISHED. RELEASED FOR PUBLICATION  
 © COPYRIGHT copyright\_dBTe- ALL RIGHTS RESERVED.

REVISIONS				
P	LTR	DESCRIPTION	DATE	APVD
-		SEE SHEET 1	-	-



RECOMMENDED FOOTPRINT

THIS DRAWING IS A CONTROLLED DOCUMENT.		DWN B. J.	18MAY2017	TE Connectivity	
		CHK A. S.	18MAY2017		
		APVD S. Y.	18MAY2017		
		PRODUCT SPEC			
DIMENSIONS:				NAME	
mm				0.5MM FPH BTB CONN	
				30POS 4MM MATING HEIGHT	
				SIZE	
				A2	
				DRAWING NO	
				C-2291283	
				RESTRICTED TO	
				-	
MATERIAL				SCALE	
				10:1	
				SHEET	
				5 OF 5	
				REV	
				A	
				CUSTOMER DRAWING	

单击下面可查看定价，库存，交付和生命周期等信息

[>>TE Connectivity\(泰科\)](#)