

THIS DRAWING IS UNPUBLISHED.

RELEASED FOR PUBLICATION

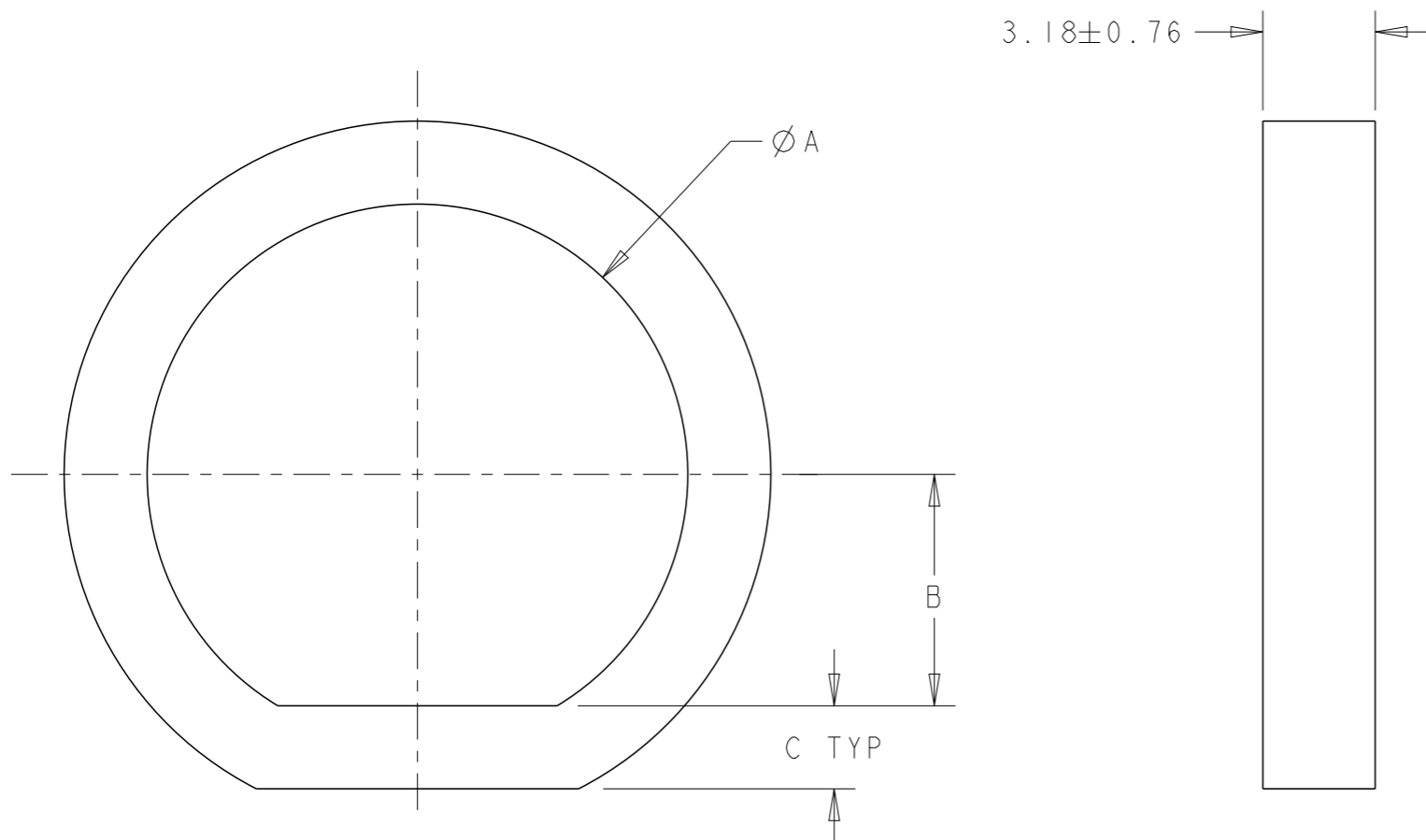
20

© COPYRIGHT 20 BY -

ALL RIGHTS RESERVED.

REVISIONS


P	LTR	DESCRIPTION	DATE	DWN	APVD
	C2	REVISED PER ECO-11-005140	19APR11	RK	HMR
	D	REVISED PER ECO-17-004650	06APR2017	BDA	MZ



1 MATERIAL: NEOPRENE CLOSED CELL SPONGE, COLOR-BLACK.

2 OBSOLETE PARTS: OBSOLETE CIS STREAMLINING PER D.RENAUD/D.SINISI

	OBSOLETE	1.50	6.55	15.3	1445420-8
	OBSOLETE	2.35	10.5	23.1	1445420-7
2	OBSOLETE	2.35	5.25	12.5	1445420-6
	OBSOLETE	2.35	6.0	14.0	1445420-5
2	OBSOLETE	2.35	4.2	9.25	1445420-4
	OBSOLETE	2.35	4.5	10.9	1445420-3
		2.35	8.5	18.5	1445420-2
		2.35	6.55	15.3	1445420-1
		C	B	A	PART NUMBER

THIS DRAWING IS A CONTROLLED DOCUMENT.		DWN G DOUTY 04JUN2003	 TE Connectivity		
DIMENSIONS: mm		CHK H.WALEEM 18JUL2003			
TOLERANCES UNLESS OTHERWISE SPECIFIED:		APVD H.WAKEEM 18JUL2003	NAME SEAL, PANEL		
0 PLC ±0 1 PLC ±0.51 2 PLC ±0.51 3 PLC ± 4 PLC ± ANGLES ± FINISH -		PRODUCT SPEC -	RESTRICTED TO -		
MATERIAL 1		APPLICATION SPEC -	SIZE A3	CAGE CODE 00779	DRAWING NO C-1445420
		WEIGHT -	SCALE 5:1		SHEET 1 OF 1
		CUSTOMER DRAWING	REV D		

单击下面可查看定价，库存，交付和生命周期等信息

[>>TE Connectivity\(泰科\)](#)