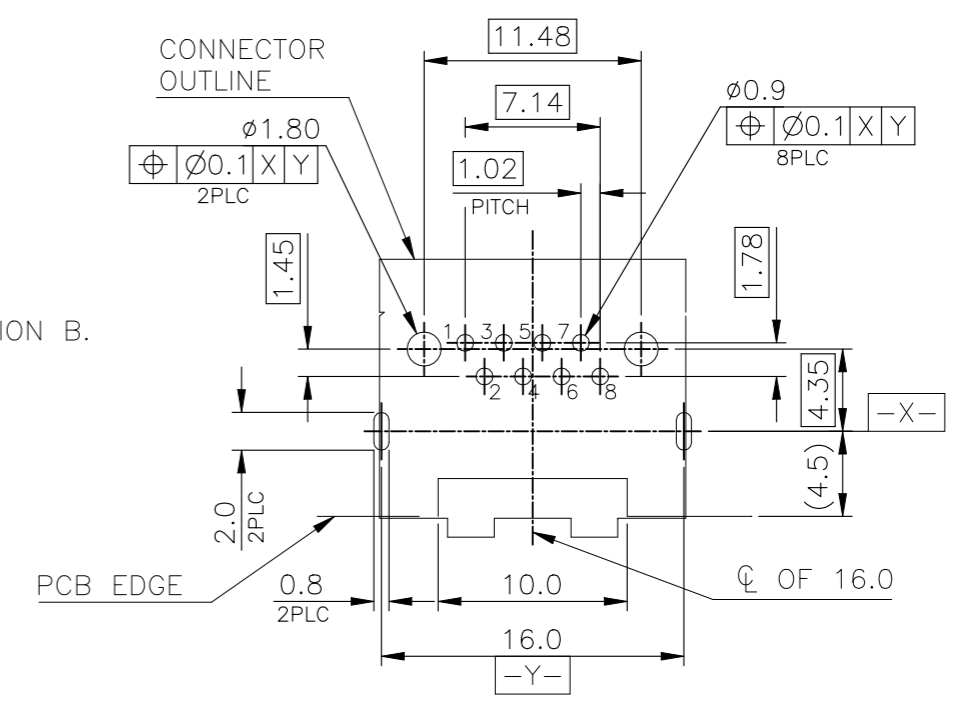
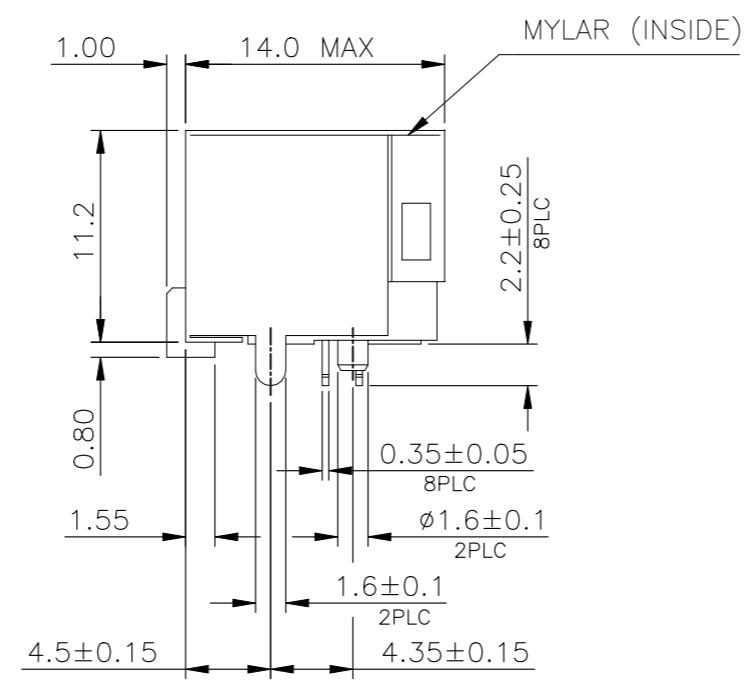
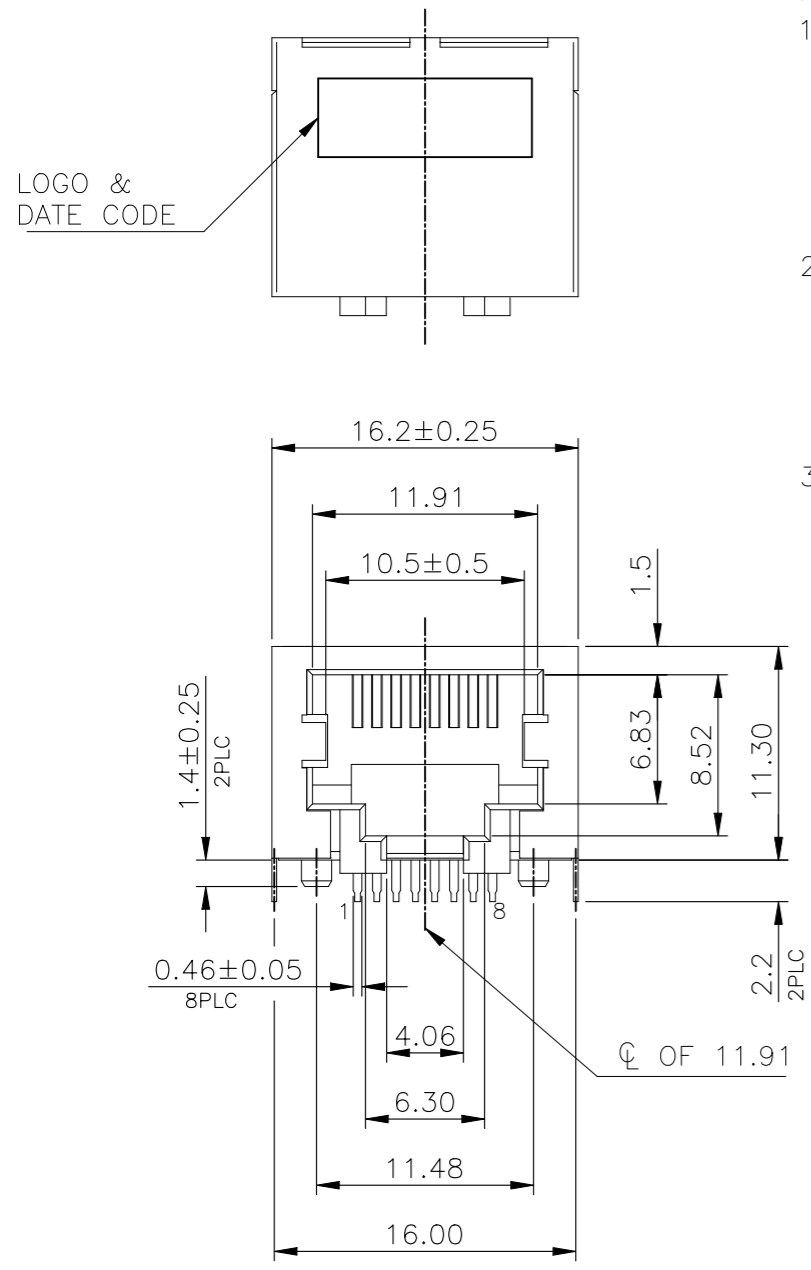


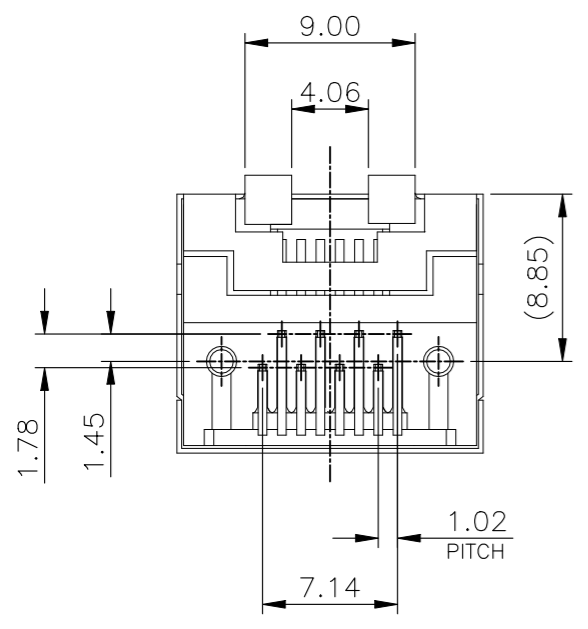
THIS DRAWING IS UNPUBLISHED. RELEASED FOR PUBLICATION
 © COPYRIGHT - By - ALL RIGHTS RESERVED.

REVISIONS				
P	LTR	DESCRIPTION	DATE	APVD
D1	ECR-21-108382		25JUN	RR SZ

- NOTES:
- MATERIAL:
 - HOUSING & INSERT HOUSING: LCP, WITH 30% G.F, UL94 V-0; COLOR: BLACK
 - CONTACT: PHOSPHOR BRONZE.
 - SHELL: BRASS.
 - MYLAR: SILICONE POLYMER.
 - FINISH:
 - CONTACT: (SEE TABLE) GOLD PLATED ON CONTACT AREA. GOLD FLASH ON SOLDER TAIL. 1.27um [50u"] MIN. NICKEL UNDERPLATED OVERALL.
 - SHELL: 0.508um [20u"] MIN. NICKEL PLATED.
 - WAVE SOLDER CAPABLE TO 265°C PER TE SPEC. 109-202, CONDITION B.



RECOMMENDED PCB LAYOUT (COMPONENT SIDE)
 TOLERANCE: ±0.05
 PCB THICKNESS: 1.6mm



	MIN. GOLD THICKNESS	PART NUMBER
	1.27um [50u"]	1734579-4
OBSOLETE	0.762um [30u"]	1734579-3
OBSOLETE	0.381um [15u"]	1734579-2
OBSOLETE	0.152um [6u"]	1734579-1

THIS DRAWING IS A CONTROLLED DOCUMENT.		DWN B. HSING 27OCT2006	TE Connectivity	
DIMENSIONS: mm		CHK S. CHIEN 27OCT2006		
TOLERANCES UNLESS OTHERWISE SPECIFIED:		APVD W. KODAMA 27OCT2006	NAME	
0 PLC ± - 1 PLC ± 0.3 2 PLC ± 0.2 3 PLC ± 0.15 4 PLC ± - ANGLES ± 3°		PRODUCT SPEC 108-57527		MODULAR JACK CONNECTOR RJ45, 8P8C SHIELDED, TAB DOWN, DIP TYPE
MATERIAL SEE NOTE		FINISH SEE NOTE		SIZE A3
		WEIGHT -		CAGE CODE 00779
		CUSTOMER DRAWING		DRAWING NO C-1734579
		SCALE 1:1		RESTRICTED TO -
		SHEET 1 of 5		REV D1

THIS DRAWING IS UNPUBLISHED.

RELEASED FOR PUBLICATION

REVISIONS

© COPYRIGHT - By -

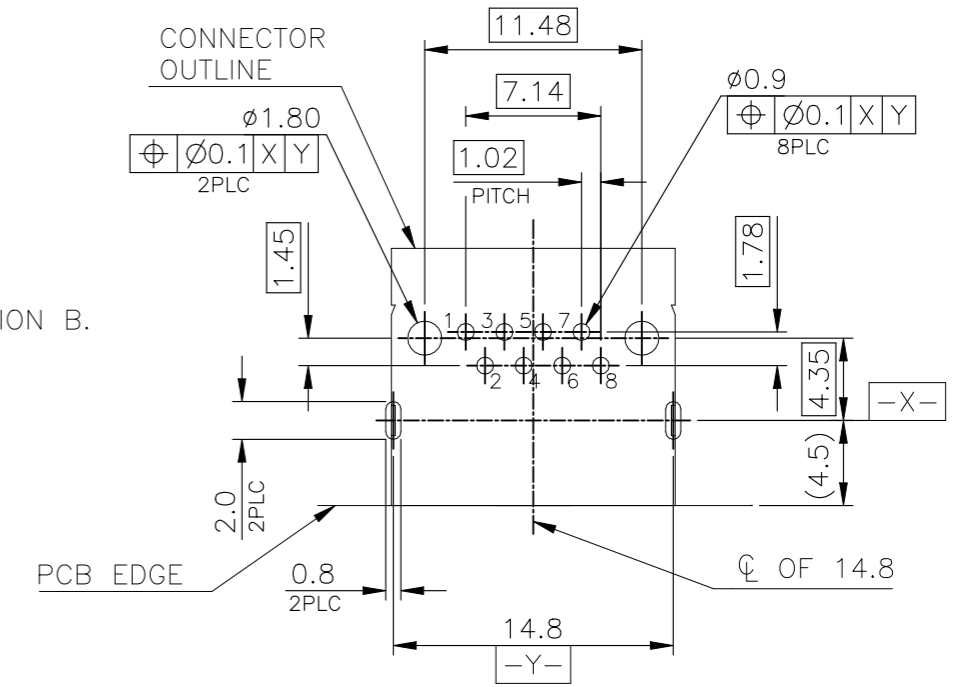
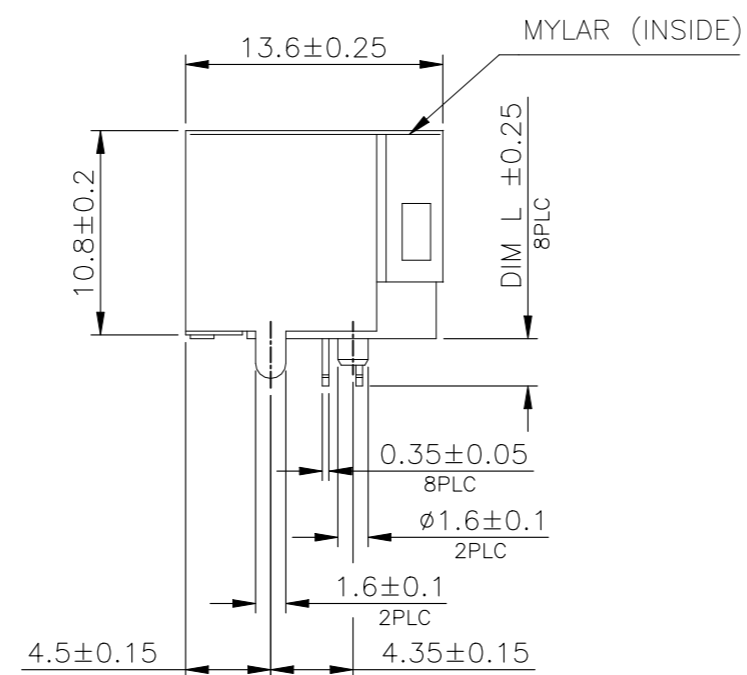
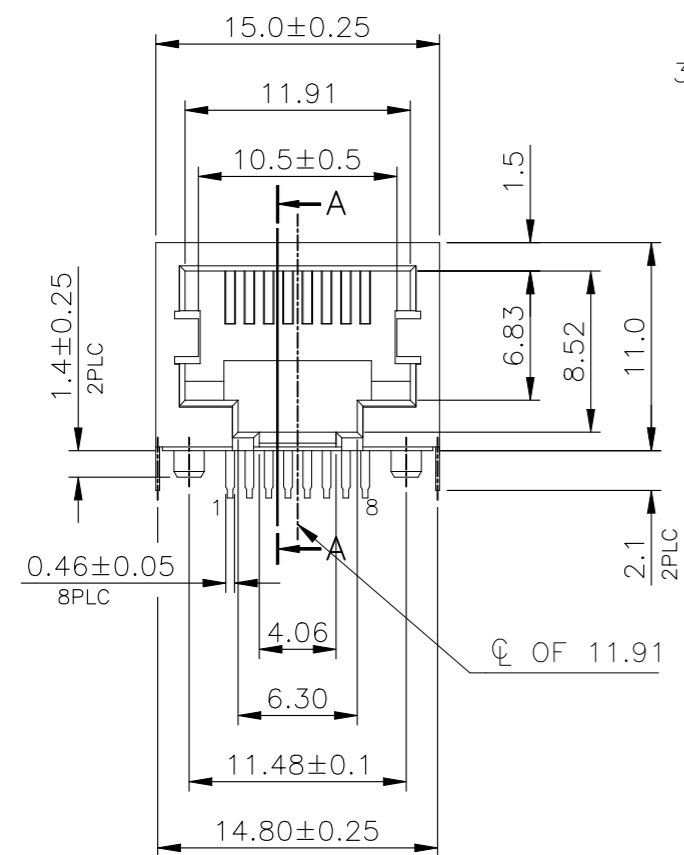
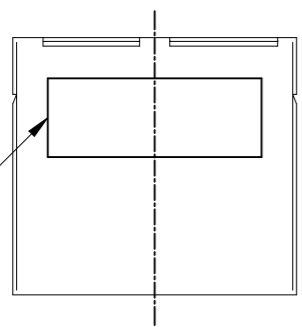
ALL RIGHTS RESERVED.

P	LTR	DESCRIPTION	DATE	DWN	APVD
-	-	SEE SHEET 1	-	-	-

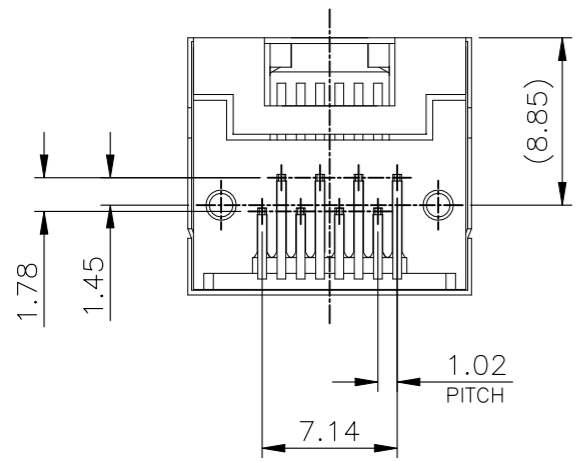
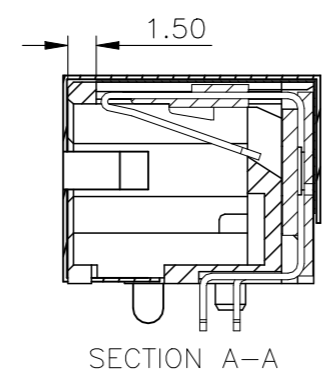
NOTES:

1. MATERIAL:
 - 1.1 HOUSING & INSERT HOUSING: LCP, WITH 30% G.F, UL94 V-0; COLOR: BLACK
 - 1.2 CONTACT: PHOSPHOR BRONZE.
 - 1.3 SHELL: BRASS.
 - 1.4 MYLAR: SILICONE POLYMER.
2. FINISH:
 - 2.1 CONTACT: (SEE TABLE) GOLD PLATED ON CONTACT AREA. GOLD FLASH ON SOLDER TAIL. 1.27um [50u"] MIN. NICKEL UNDERPLATED OVERALL.
 - 2.2 SHELL: 0.508um [20u"] MIN. NICKEL PLATED.
3. WAVE SOLDER CAPABLE TO 265°C PER TE SPEC. 109-202, CONDITION B.

LOGO & DATE CODE



RECOMMENDED PCB LAYOUT (COMPONENT SIDE)
 TOLERANCE: ±0.05
 PCB THICKNESS: 1.6mm



OBSOLETE	2.5	1.27um [50u"]	2-1734579-4
OBSOLETE	3.2	1.27um [50u"]	1-1734579-6
OBSOLETE	2.5	1.27um [50u"]	1-1734579-4
OBSOLETE		0.762um [30u"]	1-1734579-3
OBSOLETE		0.381um [15u"]	1-1734579-2
OBSOLETE		0.152um [6u"]	1-1734579-1
	DIM L	MIN. GOLD THICKNESS	PART NUMBER

THIS DRAWING IS A CONTROLLED DOCUMENT.		DWN B. HSING 270CT2006	STE TE Connectivity	
		CHK S. CHIEN 270CT2006		
DIMENSIONS: mm		APVD W. KODAMA 270CT2006	NAME	
TOLERANCES UNLESS OTHERWISE SPECIFIED:		PRODUCT SPEC		
0 PLC ± -		108-57527		
1 PLC ± 0.3		APPLICATION SPEC		
2 PLC ± 0.2		-		
3 PLC ± 0.15		SIZE CAGE CODE DRAWING NO RESTRICTED TO		
4 PLC ± -		WEIGHT 2.85 GRAMS A3 00779 C-1734579		
ANGLES ± 3°		CUSTOMER DRAWING		
FINISH		SCALE 1:1 SHEET 2 OF 5 REV D1		
SEE NOTE				

THIS DRAWING IS UNPUBLISHED.

RELEASED FOR PUBLICATION

REVISIONS

© COPYRIGHT - By -

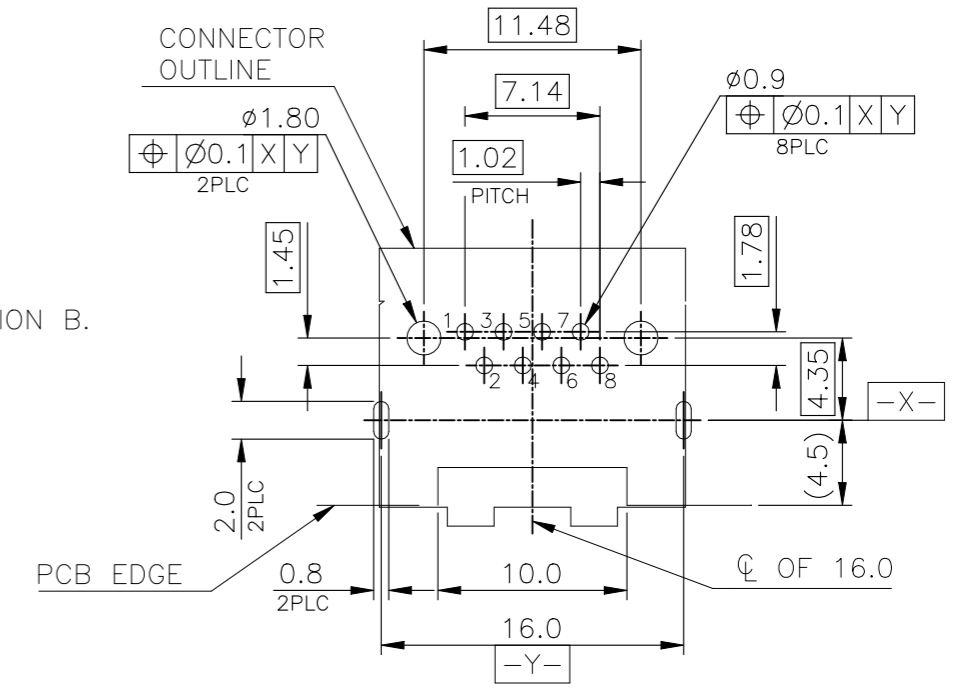
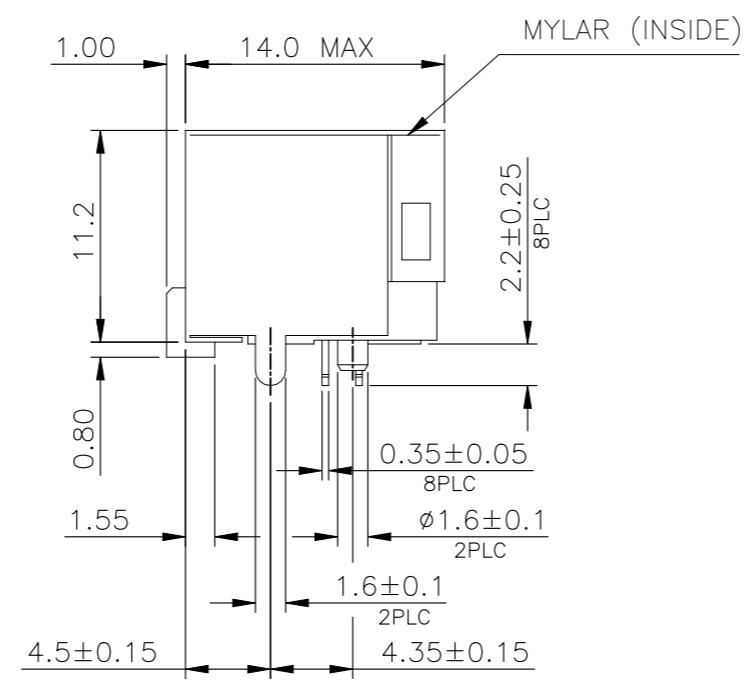
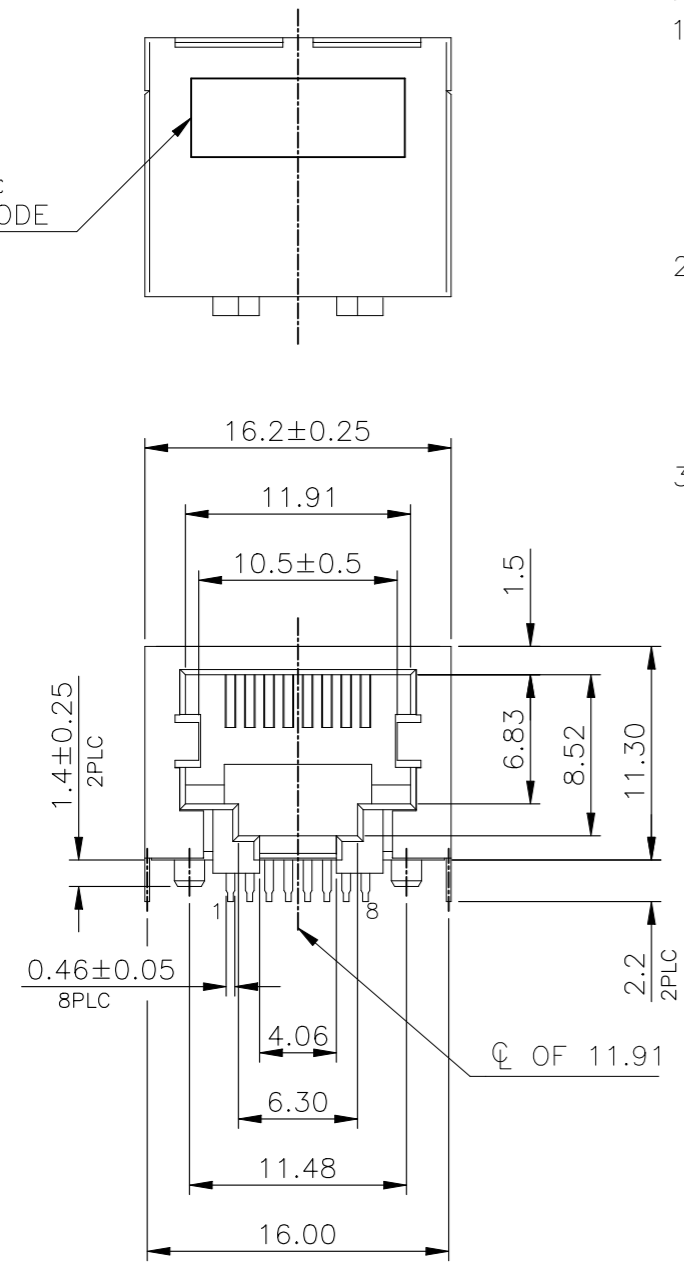
ALL RIGHTS RESERVED.

P	LTR	DESCRIPTION	DATE	DWN	APVD
-	-	SEE SHEET 1	-	-	-

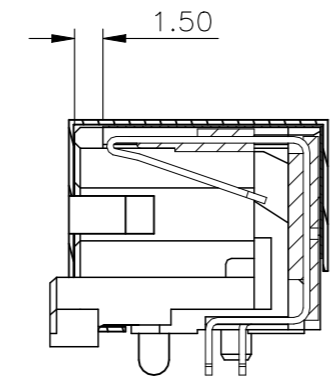
NOTES:

1. MATERIAL:
 - 1.1 HOUSING & INSERT HOUSING: LCP, WITH 30% G.F, UL94 V-0; COLOR: BLACK
 - 1.2 CONTACT: PHOSPHOR BRONZE.
 - 1.3 SHELL: BRASS.
 - 1.4 MYLAR: SILICONE POLYMER.
2. FINISH:
 - 2.1 CONTACT: (SEE TABLE) GOLD PLATED ON CONTACT AREA. GOLD FLASH ON SOLDER TAIL. 1.27um [50u"] MIN. NICKEL UNDERPLATED OVERALL.
 - 2.2 SHELL: 0.508um [20u"] MIN. NICKEL PLATED.
3. WAVE SOLDER CAPABLE TO 265°C PER TE SPEC. 109-202, CONDITION B.

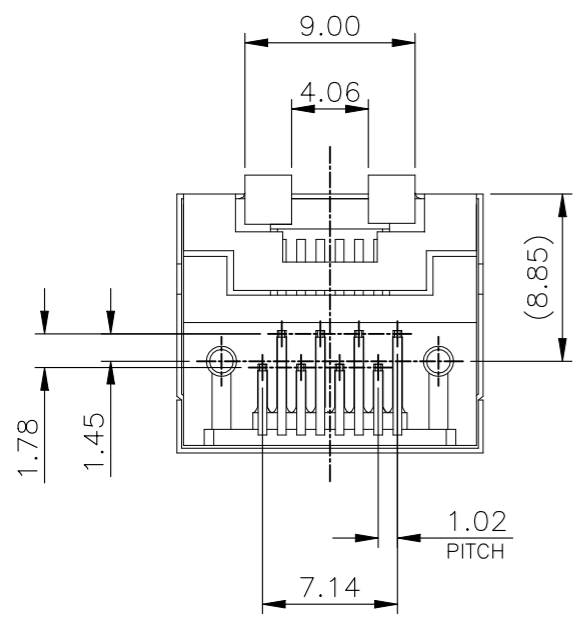
LOGO & DATE CODE



RECOMMENDED PCB LAYOUT (COMPONENT SIDE)
 TOLERANCE: ±0.05
 PCB THICKNESS: 1.6mm



SECTION A-A



1.27um [50u"]	3-1734579-4
MIN. GOLD THICKNESS	PART NUMBER

THIS DRAWING IS A CONTROLLED DOCUMENT.		DWN B. HSING 27OCT2006		STE TE Connectivity	
DIMENSIONS: mm		CHK S. CHIEN 27OCT2006			
TOLERANCES UNLESS OTHERWISE SPECIFIED:		APVD W. KODAMA 27OCT2006		NAME	
0 PLC ± -		PRODUCT SPEC		MODULAR JACK CONNECTOR	
1 PLC ± 0.3		APPLICATION SPEC		RJ45, 8P8C	
2 PLC ± 0.2		108-57527		SHIELDED, TAB DOWN, DIP TYPE	
3 PLC ± 0.15		-		SIZE	
4 PLC ± -		-		CAGE CODE	
ANGLES ± 3°		-		DRAWING NO	
MATERIAL SEE NOTE		FINISH SEE NOTE		RESTRICTED TO	
-		-		A300779	
-		-		C-1734579	
CUSTOMER DRAWING		SCALE 1:1		SHEET 3 OF 5	
				REV D1	

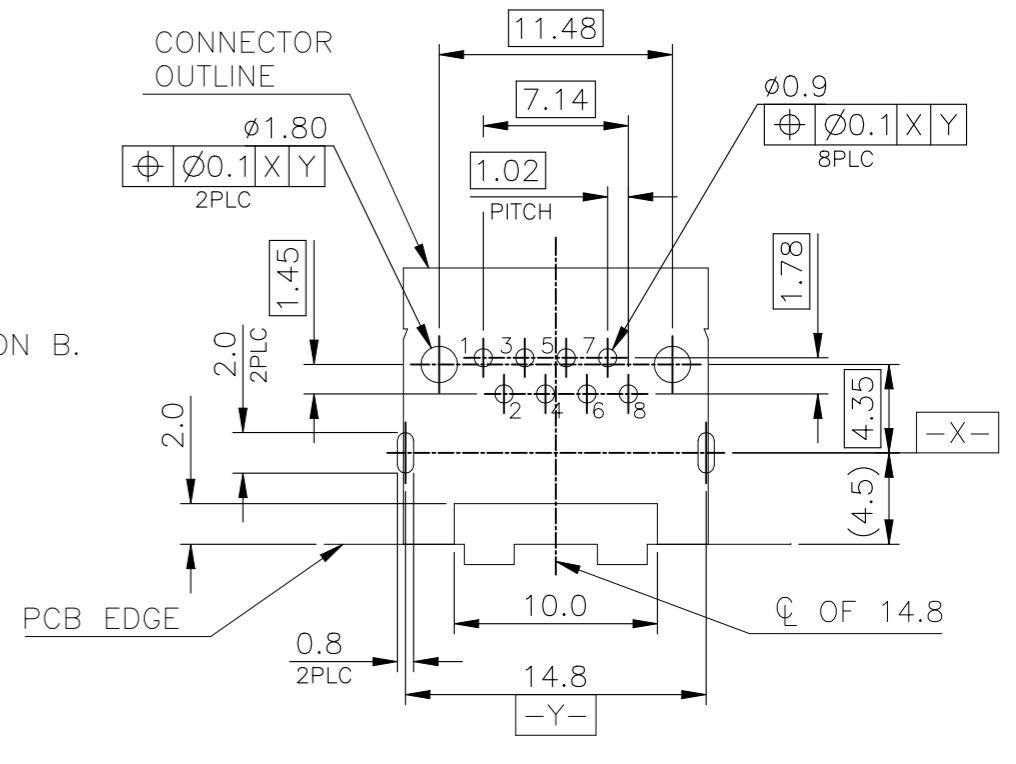
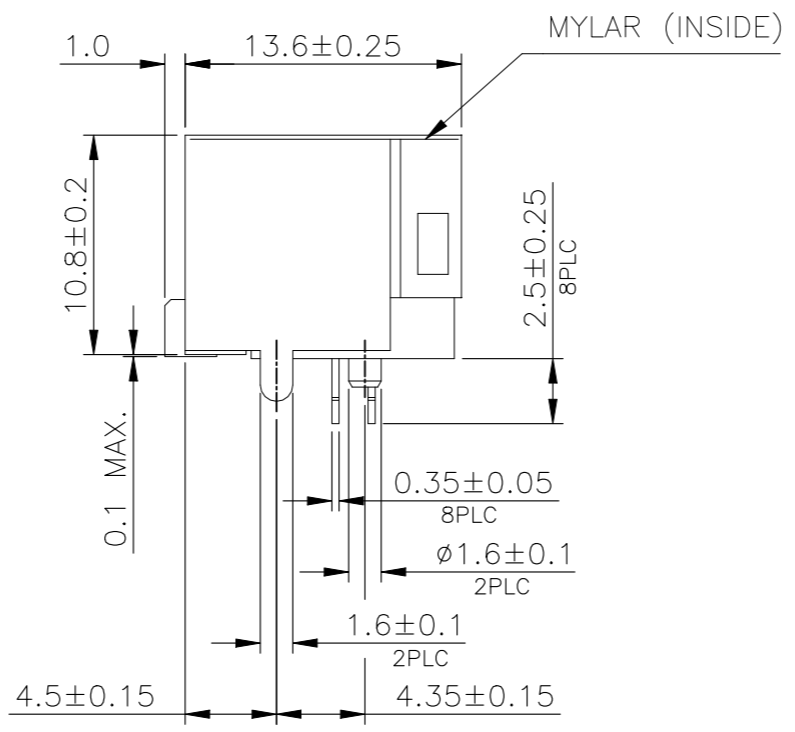
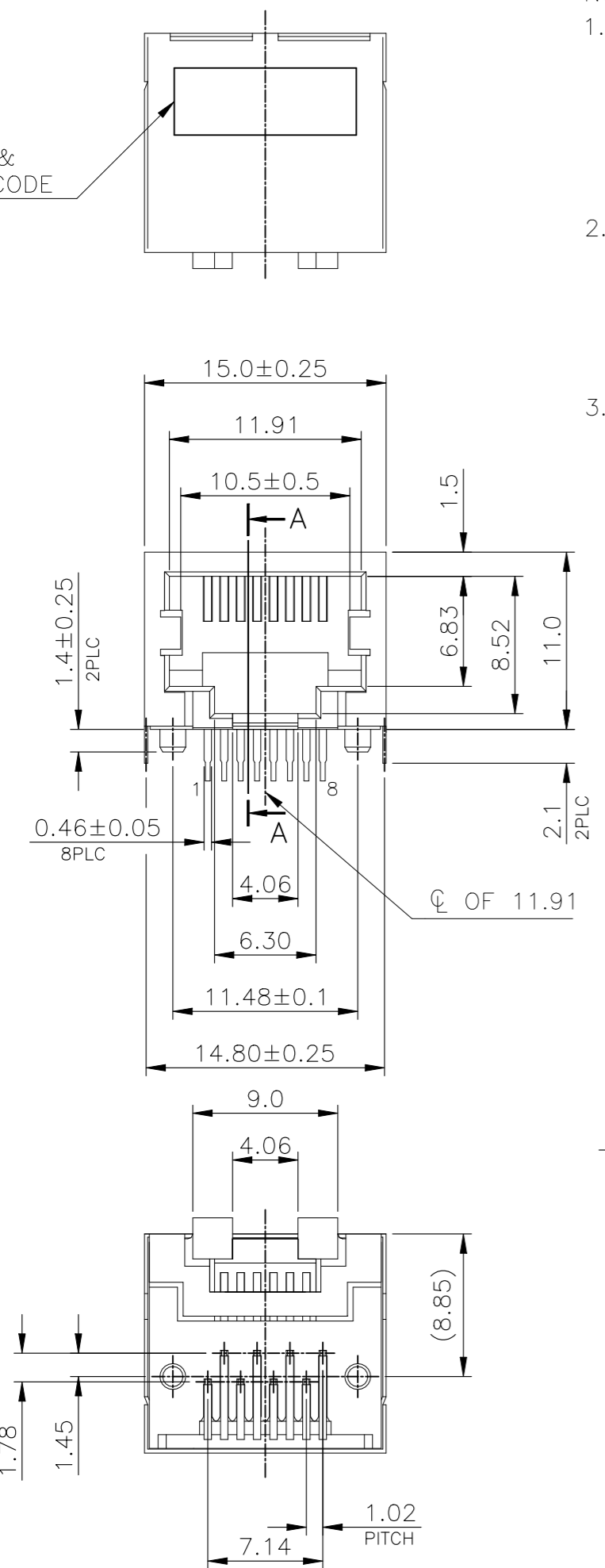
THIS DRAWING IS UNPUBLISHED. RELEASED FOR PUBLICATION
 © COPYRIGHT - By - ALL RIGHTS RESERVED.

P	LTR	DESCRIPTION	DATE	DWN	APVD
-	-	SEE SHEET 1	-	-	-

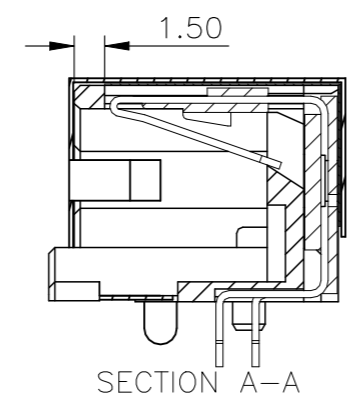
NOTES:

- MATERIAL:
 - HOUSING & INSERT HOUSING: LCP, WITH 30% G.F, UL94 V-0; COLOR: BLACK
 - CONTACT: PHOSPHOR BRONZE.
 - SHELL: BRASS.
 - MYLAR: SILICONE POLYMER.
- FINISH:
 - CONTACT: (SEE TABLE) GOLD PLATED ON CONTACT AREA. GOLD FLASH ON SOLDER TAIL. 1.27um [50u"] MIN. NICKEL UNDERPLATED OVERALL.
 - SHELL: 0.508um [20u"] MIN. NICKEL PLATED.
- WAVE SOLDER CAPABLE TO 265°C PER TE SPEC. 109-202, CONDITION B.

LOGO & DATE CODE



RECOMMENDED PCB LAYOUT (COMPONENT SIDE)
 TOLERANCE: ±0.05
 PCB THICKNESS: 1.6mm

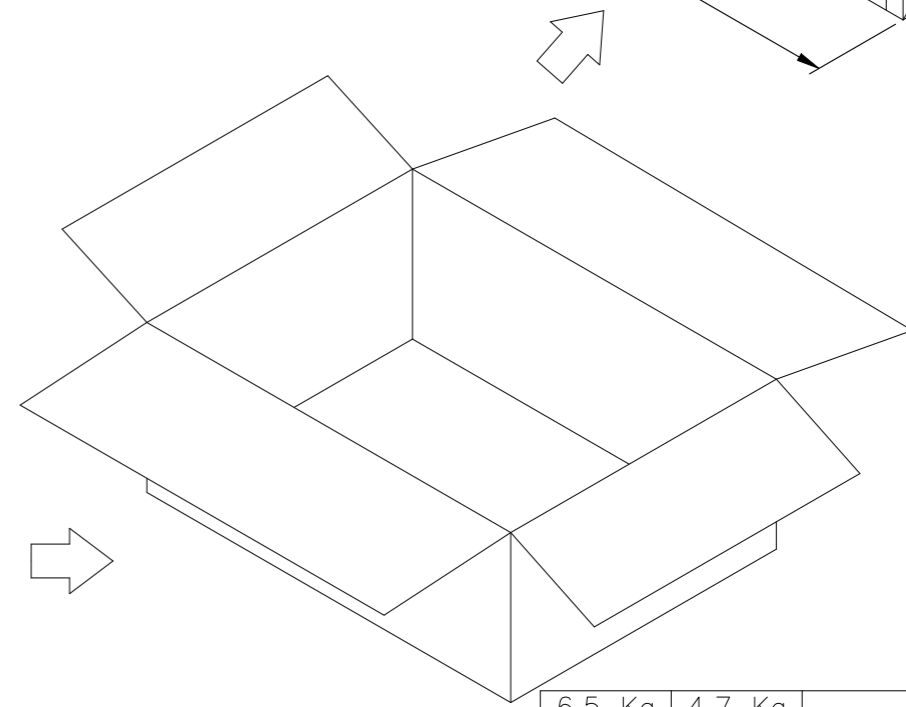
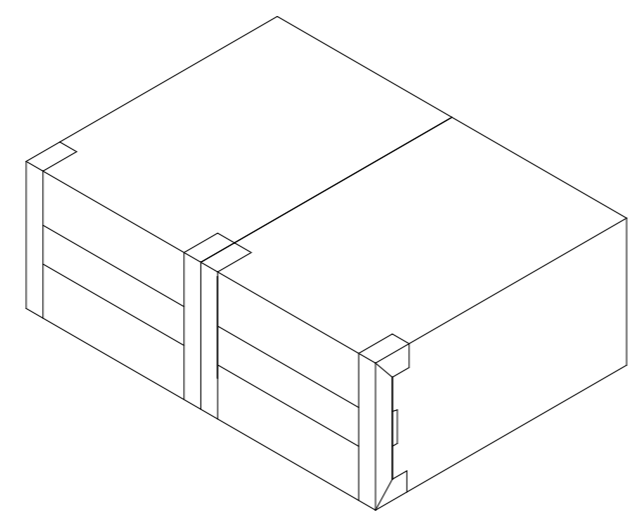
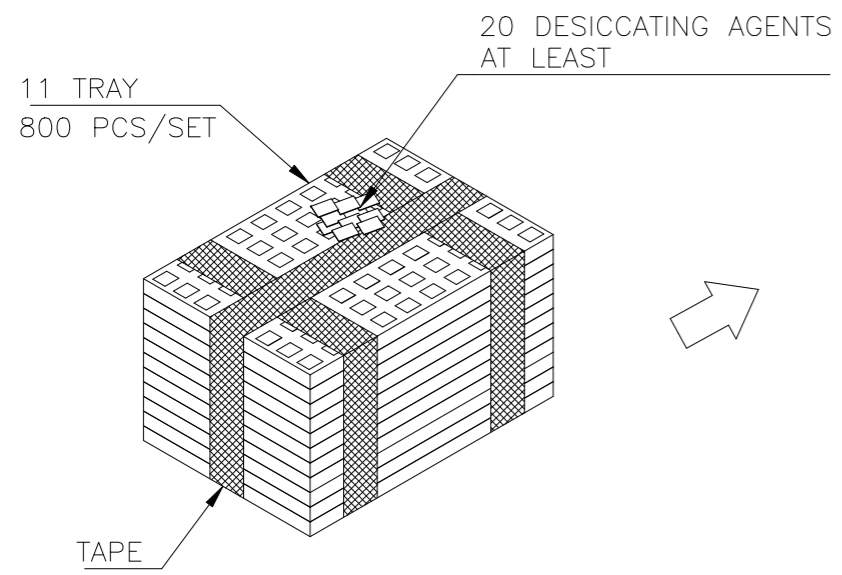
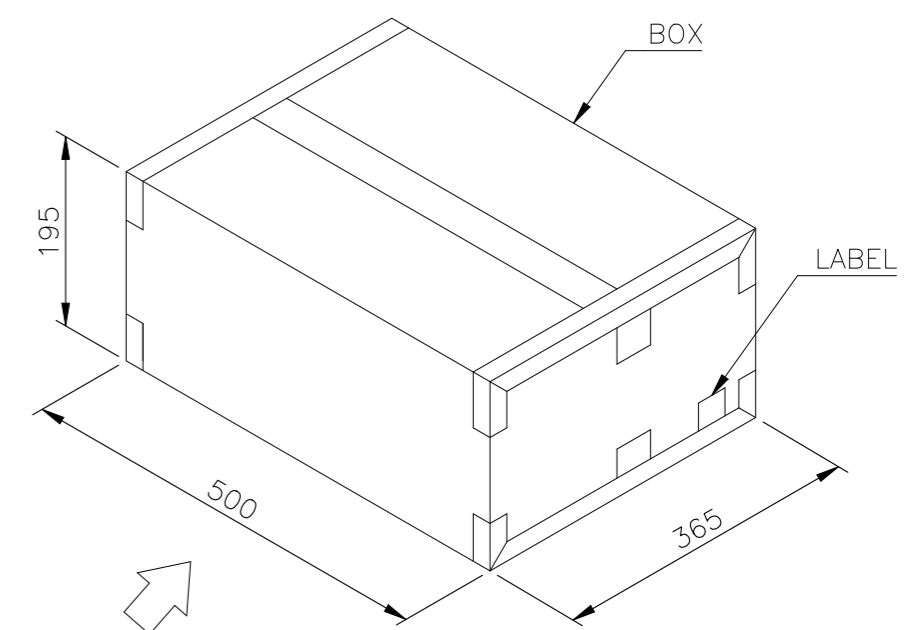
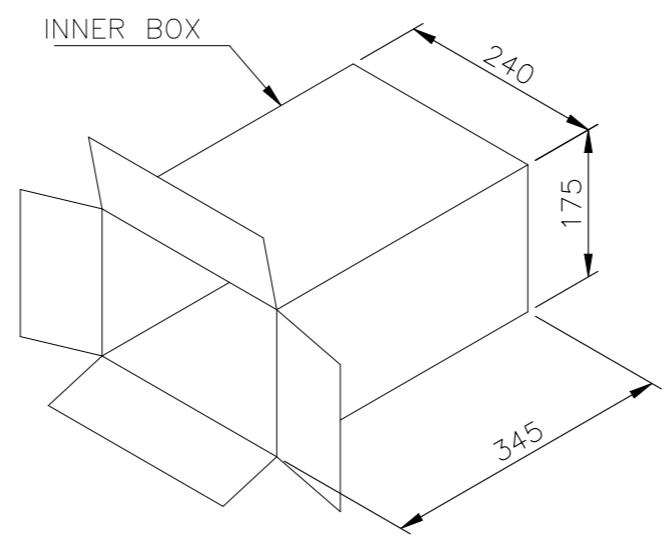
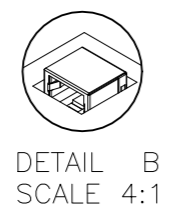
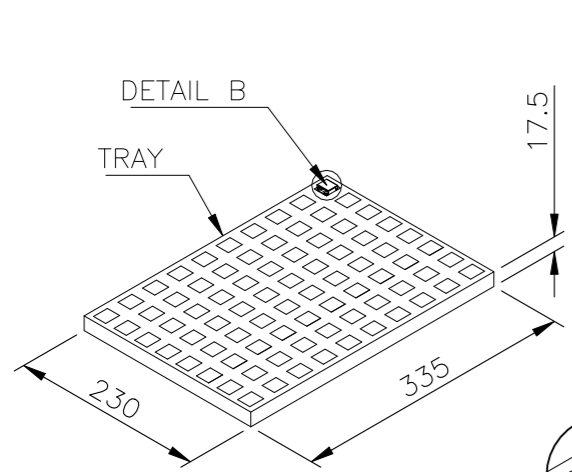


D1	1.27um [50u"]	1-1734579-7
	MIN. GOLD THICKNESS	PART NUMBER

THIS DRAWING IS A CONTROLLED DOCUMENT.		DWN B. HSING 270CT2006	TE Connectivity		
DIMENSIONS: mm		CHK S. CHIEN 270CT2006			
TOLERANCES UNLESS OTHERWISE SPECIFIED:		APVD W. KODAMA 270CT2006	NAME		
0 PLC ± -		PRODUCT SPEC		MODULAR JACK CONNECTOR	
1 PLC ± 0.25		APPLICATION SPEC		RJ45, 8P8C	
2 PLC ± 0.13		108-57527		SHIELDED, TAB DOWN, DIP TYPE	
3 PLC ± 0.05		SIZE	CAGE CODE	DRAWING NO	RESTRICTED TO
4 PLC ± -		-	-	A300779	-
ANGLES ± 3°		WEIGHT	G-1734579		-
FINISH		CUSTOMER DRAWING		SCALE 1:1	SHEET 4 OF 5
SEE NOTE		SEE NOTE		REV D1	

THIS DRAWING IS UNPUBLISHED. RELEASED FOR PUBLICATION
 © COPYRIGHT - By - ALL RIGHTS RESERVED.

REVISIONS					
P	LTR	DESCRIPTION	DATE	DWN	APVD
-	-	SEE SHEET 1	-	-	-



6.5 Kg	4.7 Kg	80	20	1600	1-1734579-7
6.5 Kg	4.5 Kg				2-1734579-4
7.6 Kg	5.6 Kg	80	20	1600	1-1734579-X
					1734579-X
					3-1734579-4
GROSS WEIGHT	NET WEIGHT	PCS/TRAY	TRAY/BOX	PCS/BOX	PART NUMBER

THIS DRAWING IS A CONTROLLED DOCUMENT.		DWN B. HSING 27OCT2006	STE TE Connectivity		
DIMENSIONS: mm		CHK S. CHIEN 27OCT2006			
TOLERANCES UNLESS OTHERWISE SPECIFIED:		APVD W. KODAMA 27OCT2006	NAME		
0 PLC ± -		PRODUCT SPEC	MODULAR JACK CONNECTOR		
1 PLC ± 0.3		108-57527	RJ45, 8P8C		
2 PLC ± 0.2		APPLICATION SPEC	SHIELDED, TAB DOWN, DIP TYPE		
3 PLC ± 0.15		—	SIZE	CAGE CODE	DRAWING NO
4 PLC ± -		WEIGHT	A3	00779	C-1734579
ANGLES ± 3°		CUSTOMER DRAWING	SCALE	SHEET	REV
MATERIAL SEE NOTE		FINISH SEE NOTE	1:1	5 of 5	D1

单击下面可查看定价，库存，交付和生命周期等信息

[>>TE Connectivity\(泰科\)](#)