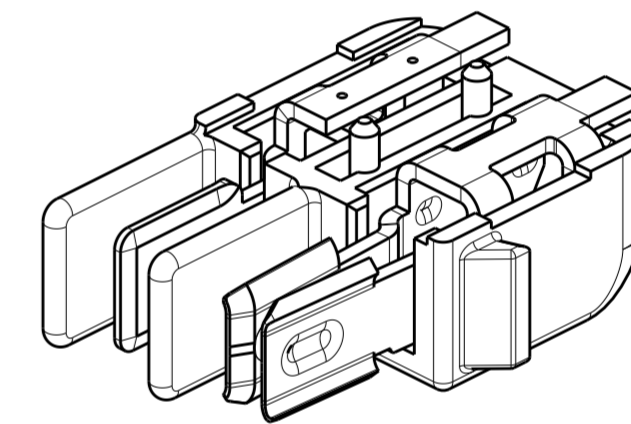
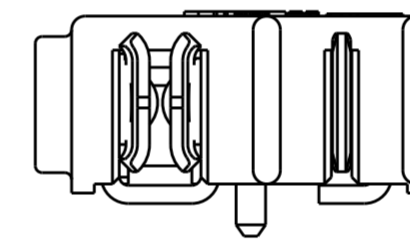
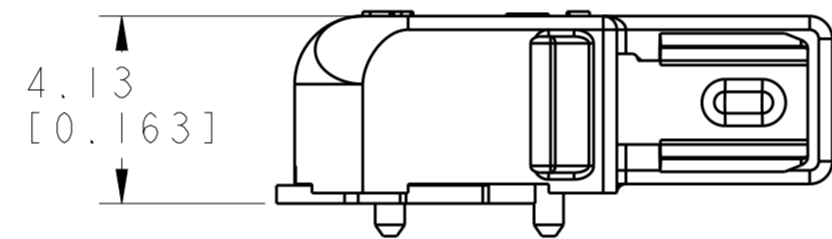
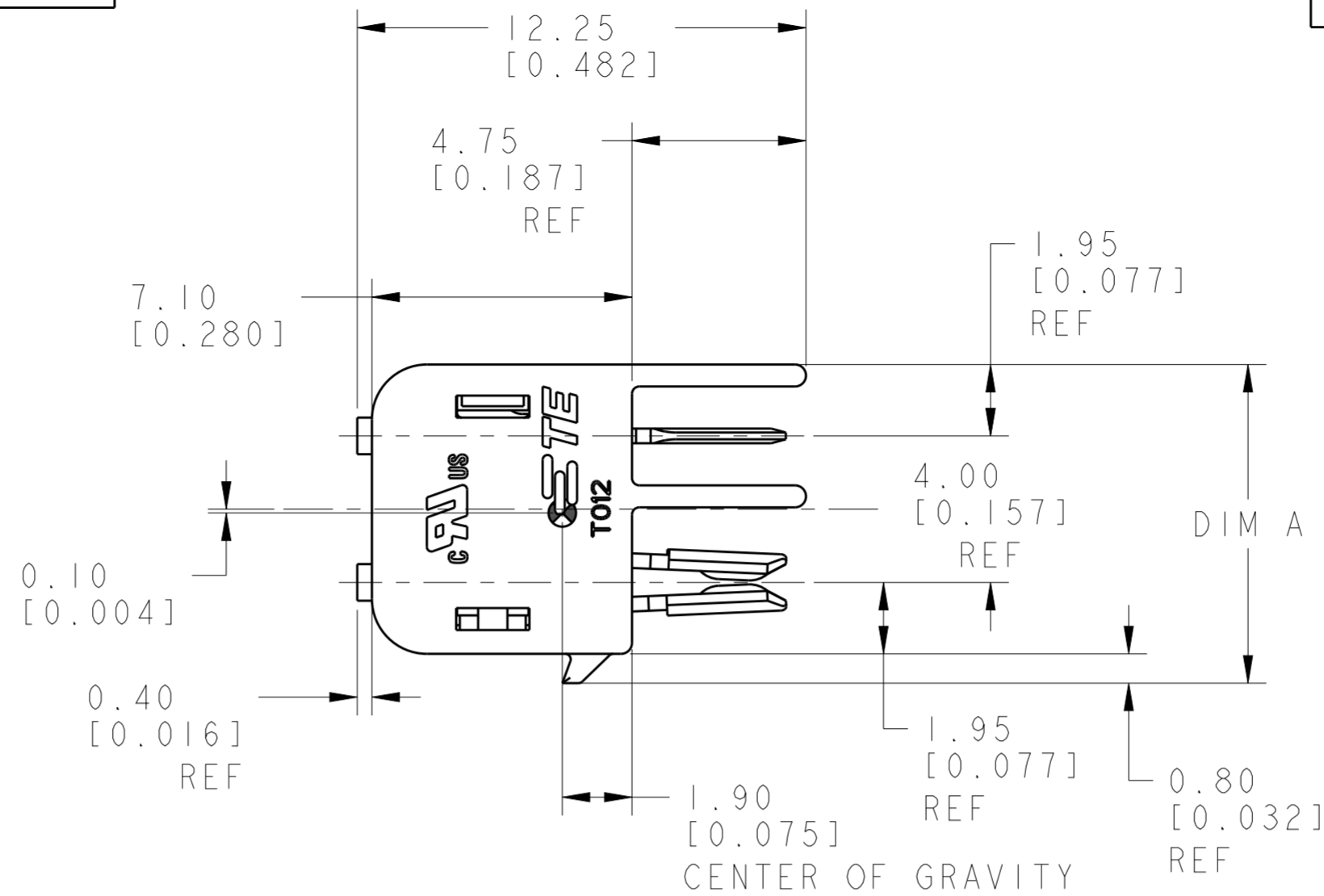


THIS DRAWING IS UNPUBLISHED. RELEASED FOR PUBLICATION 20
 © COPYRIGHT 20 BY - ALL RIGHTS RESERVED.

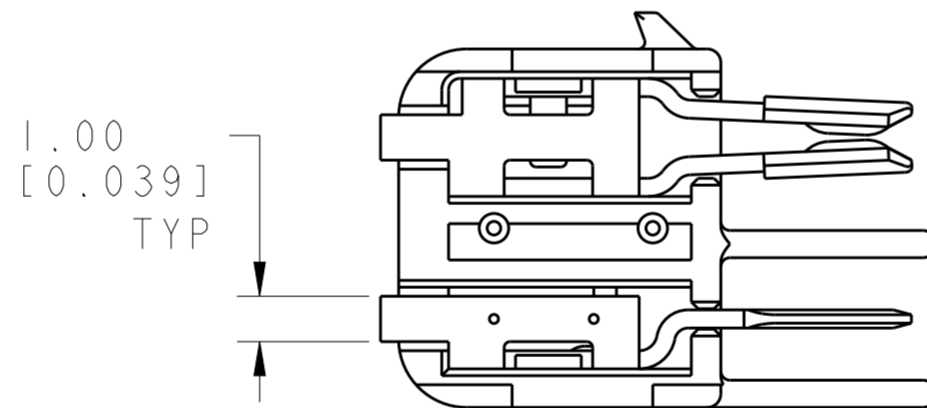
LOC	DIST	REVISIONS			
P	LTR	DESCRIPTION	DATE	DWN	APVD
	A	REVISED PER ECR-16-005567	19APR2016	RS	DD
	AI	REVISED PER ECR-16-010299	20JUL2016	RS	PO

NOTES:

- 1. MATERIALS AND FINISH
 - HOUSING: LCP
 - CONTACTS: COPPER ALLOY, FINISH: TIN AND SELECT GOLD
- 2. PRODUCT TO COMPLY WITH DIRECTIVE 2002/95/EC (ROHS)
- 3. PACKAGED IN TAPE AND REEL



2213617-1/
1-2213617-1
SHOWN

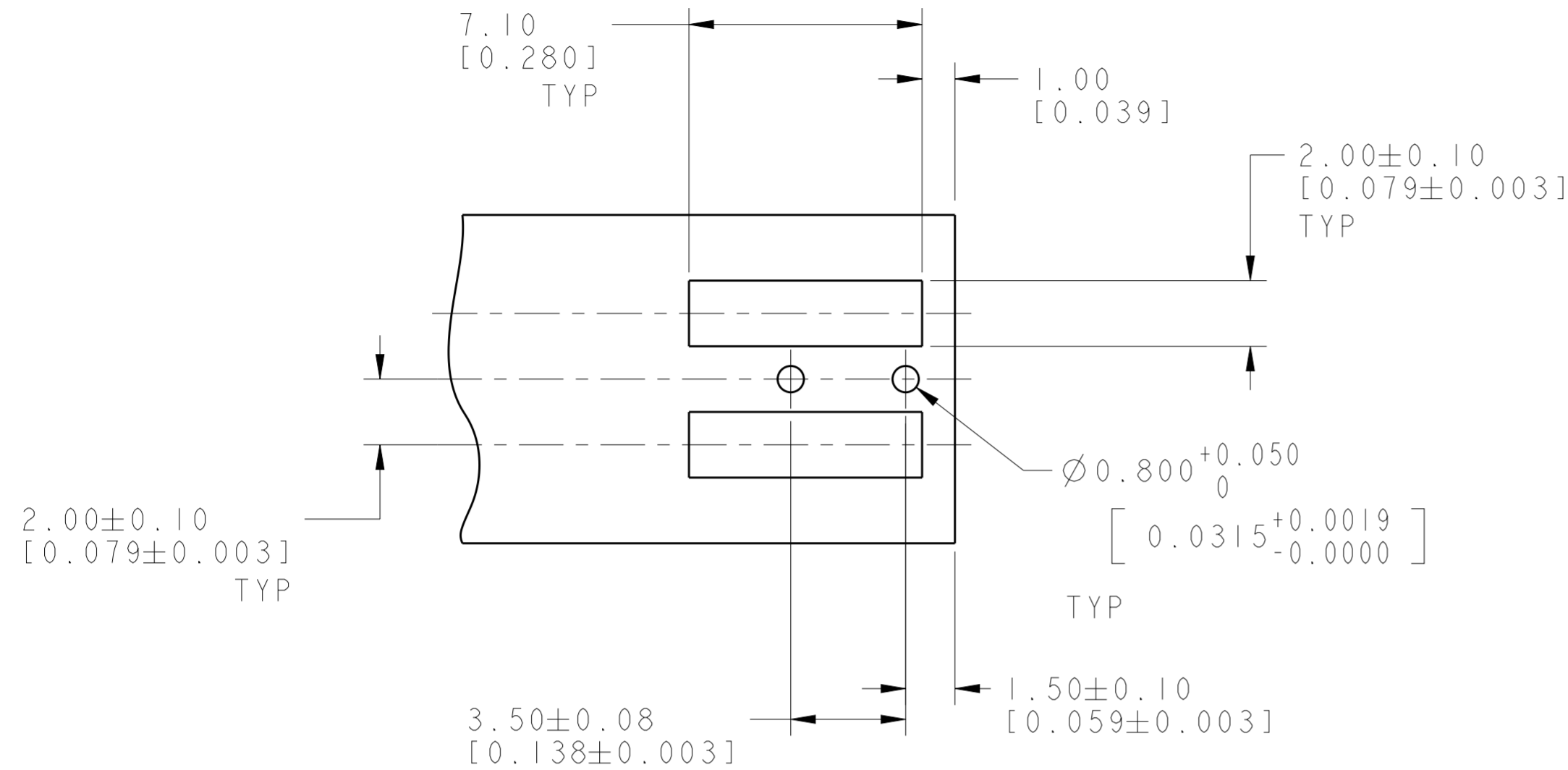


6	BLACK	24.70	1-2213617-3
4	BLACK	16.70	1-2213617-2
2	BLACK	8.70	1-2213617-1
6	NATURAL	24.70	2213617-3
4	NATURAL	16.70	2213617-2
2	NATURAL	8.70	2213617-1
POSITION	COLOR	DIM A	PART NO.

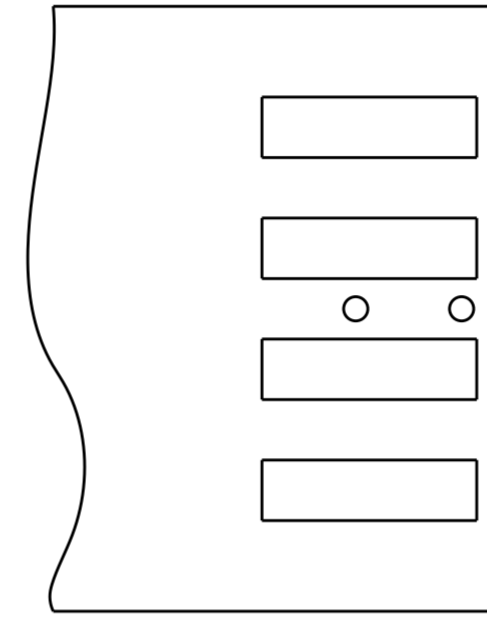
THIS DRAWING IS A CONTROLLED DOCUMENT.		DWN RAVLS 22 JAN 2015	TE Connectivity	
		CHK D. DECKER 22 JAN 2015		
		APVD D. DECKER 22 JAN 2015	NAME CONNECTOR ASSEMBLY, HERMAPHRODITIC BLADE AND RECEPTACLE, WITH LATCH AND BOSS	
DIMENSIONS: mm		PRODUCT SPEC 108-2342	SIZE A200779	CAGE CODE C-2213617
TOLERANCES UNLESS OTHERWISE SPECIFIED: 0 PLC ± 1 PLC ± 2 PLC ±0.13 3 PLC ±0.013 4 PLC ± ANGLES ±1° FINISH		APPLICATION SPEC 114-13225	DRAWING NO.	RESTRICTED TO
MATERIAL		WEIGHT	SCALE 6:1	SHEET 1 OF 2
		CUSTOMER DRAWING	REV A1	

THIS DRAWING IS UNPUBLISHED. RELEASED FOR PUBLICATION 20
 © COPYRIGHT 20 BY - ALL RIGHTS RESERVED.

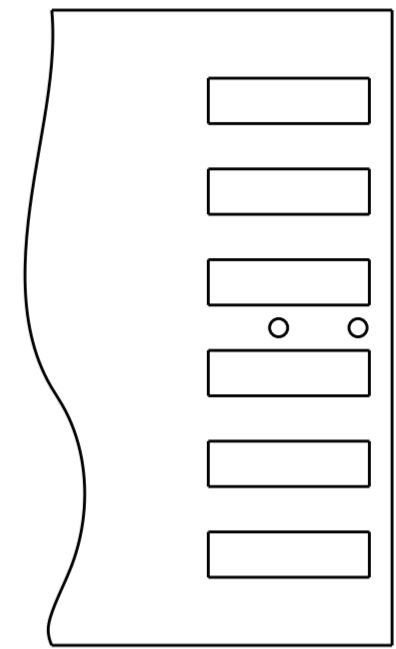
LOC		DIST		REVISIONS			
P	LTR	DESCRIPTION	DATE	DWN	APVD		
-	-	SEE SHEET 1	-	-	-		



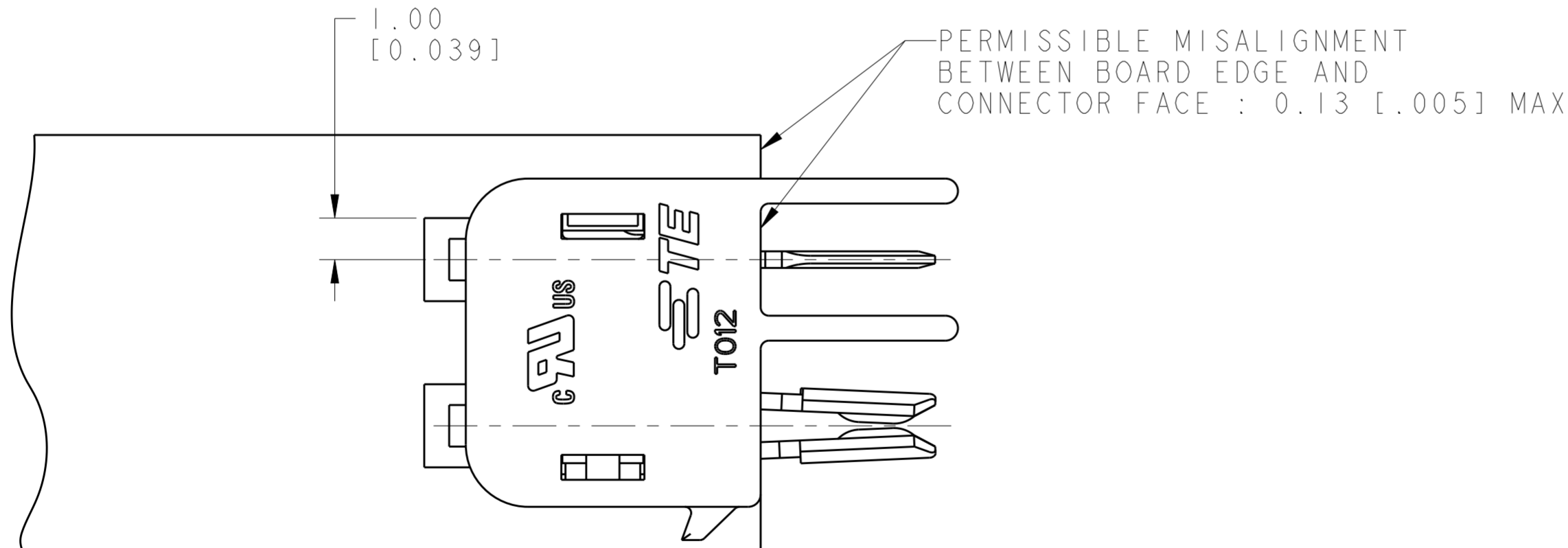
RECOMMENDED PCB LAYOUT FOR 2213617-1 & 1-2213617-1



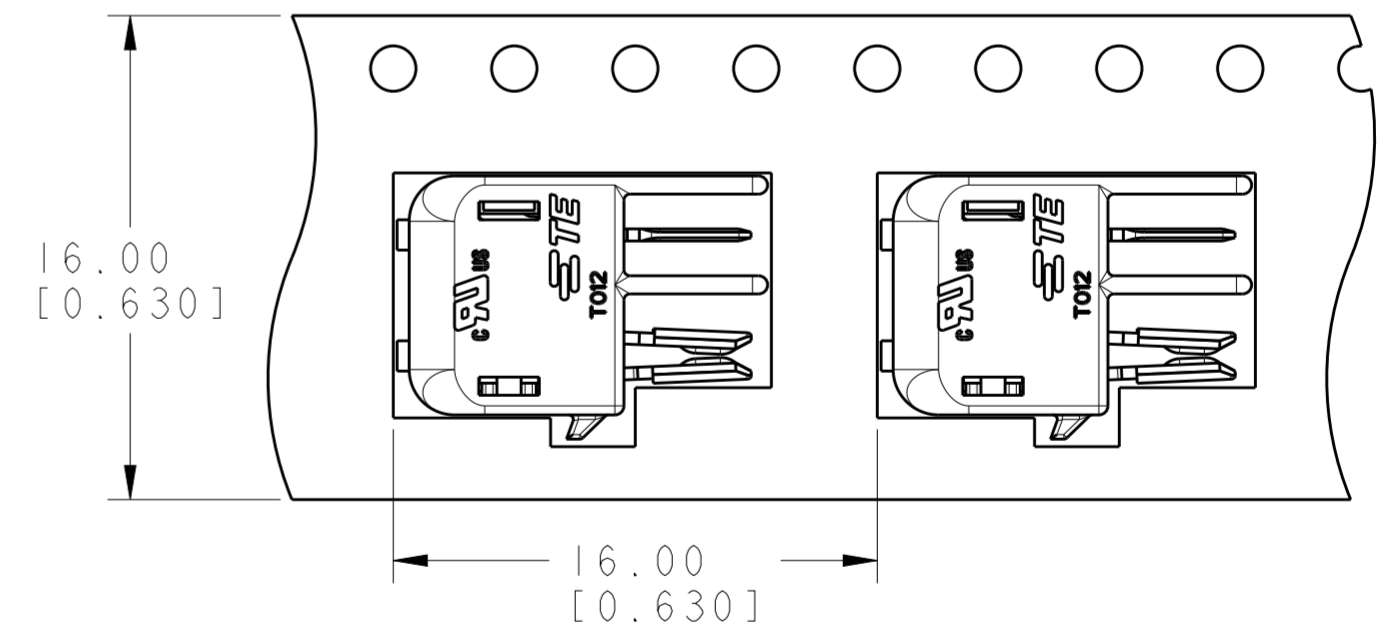
RECOMMENDED PCB LAYOUT FOR 2213617-2 & 1-2213617-2



RECOMMENDED PCB LAYOUT FOR 2213617-3 & 1-2213617-3



SCALE 8:1



TO BE PACKAGED AS SHOWN SCALE 4:1

THIS DRAWING IS A CONTROLLED DOCUMENT.		DWN RAVLS 22JAN2015	TE Connectivity	
DIMENSIONS: mm		CHK D. DECKER 22JAN2015		
TOLERANCES UNLESS OTHERWISE SPECIFIED:		APVD D. DECKER 22JAN2015	NAME CONNECTOR ASSEMBLY, HERMAPHRODITIC BLADE AND RECEPTACLE, WITH LATCH AND BOSS	
		PRODUCT SPEC 108-2342	SIZE A200779	
MATERIAL		APPLICATION SPEC 114-13225	DRAWING NO C-2213617	
		WEIGHT -	RESTRICTED TO -	
		CUSTOMER DRAWING	SCALE 6:1	SHEET 2 OF 2

单击下面可查看定价，库存，交付和生命周期等信息

[>>TE Connectivity\(泰科\)](#)