

4

3

2

1

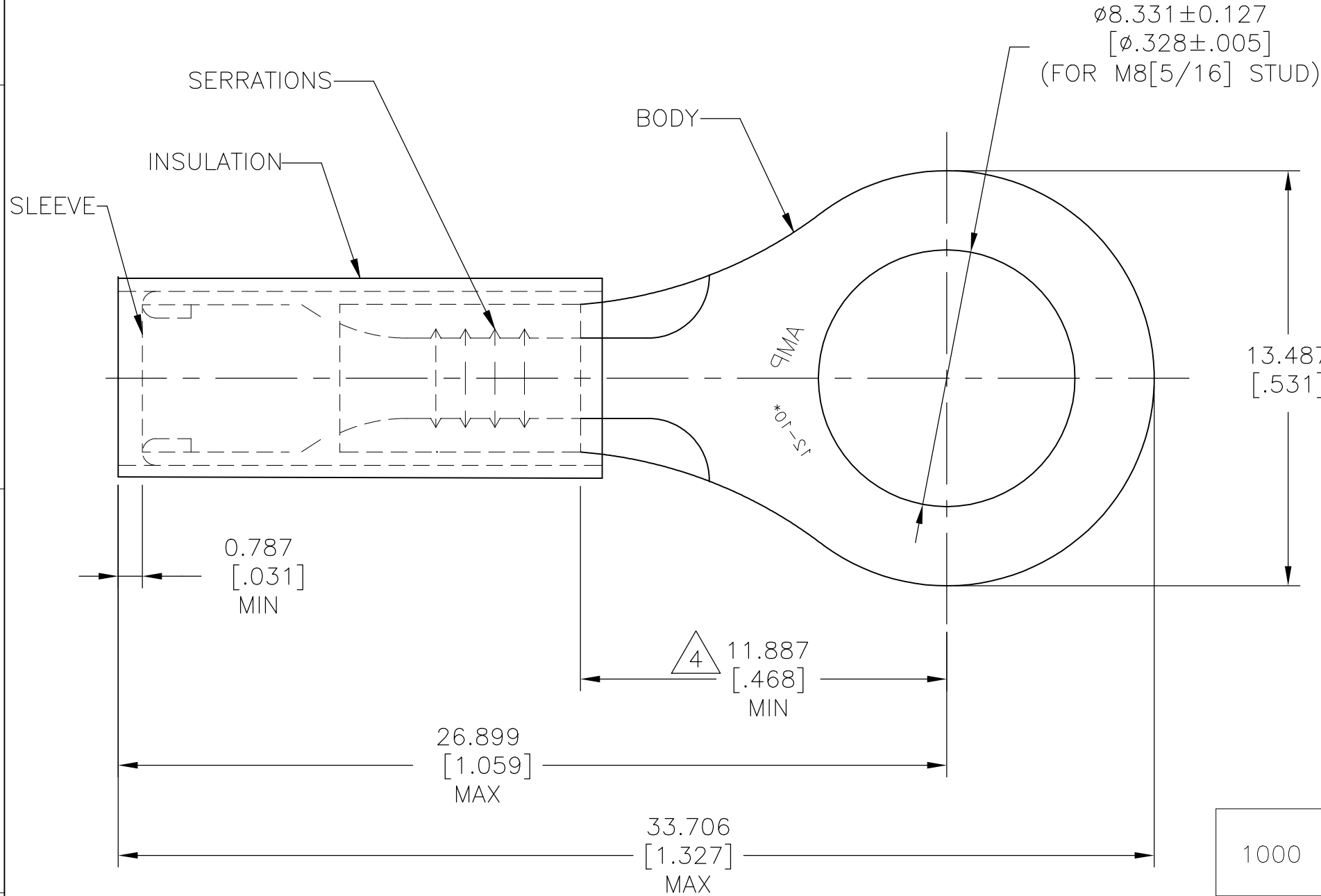
THIS DRAWING IS UNPUBLISHED.

RELEASED FOR PUBLICATION

REVISIONS

© COPYRIGHT - By - ALL RIGHTS RESERVED.

P	LTR	DESCRIPTION	DATE	DWN	APVD
	H3	REVISED PER ECO-15-016493	26NOV2015	NK	DR
	H4	REVISED PER ECO-17-016703	27MAR2018	RS	DR



- 1 BODY: COPPER ASTM B152
GOLD PL ASTM B488 TYPE I CODE C
0.0012[.00005] MIN EXT THK OVER
NICKEL PLATE SAE AMS QQ-N-290
0.00076 [.00003] AVG. THK
- SLEEVE: COPPER ASTM B152
NICKEL PL SAE AMS QQ-N-290
0.00076[.00003] AVG EXT. THK
- 2 FOR 2.591[.102] TO 5.436[.214]
WIRE INSULATION DIA.
- 3 BODY MATERIAL THK: 0.991±0.051[.039±.002]
- 4 DIMENSION APPLIES FROM EDGE OF
METAL WIRE BARREL TO CENTER OF
STUD HOLE

1000	LOOSE PIECE	50847	PTFE (ASTM D3295) COLOR: BLACK
QTY	PACKAGE TYPE	PART NO.	INSULATION MATERIAL

AMP INCORPORATED
CUSTOMER SERVICE SYSTEMS

MAX RECOMMENDED OPERATING
TEMPERATURE:
288°C [550°F]

THIS DRAWING IS A CONTROLLED DOCUMENT.

DWN 130CT2015
NAGALAKSHMI K

STE TE Connectivity Ltd.

FOR ADDITIONAL
PRODUCT INFORMATION OR
COPIES OF DRAWINGS
AND TECHNICAL DOCUMENTS

PRODUCT INFORMATION CENTER
1-800-522-6752

VOLTAGE RATING:
300V MAX

DIMENSIONS:
mm [INCHES]

TOLERANCES UNLESS
OTHERWISE SPECIFIED:
REMOVE BURRS, BREAK SHARPE
EDGES .015 R MAX

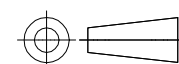
CHK 130CT2015
MERCURIO MAURIZIO

NAME
WIRE TERMINAL
PIDG™, STRATO-THERM, RING TONGUE
WIRE SIZE: 12-10 AWG

FOR APPLICATION
TOOLING INFORMATION

TOOLING ASSISTANCE CENTER
1-800-722-1111

CIRCULAR MIL AREA:
2.62-6.64mm²[5,180-13,100]
STRANDED WIRE ONLY



0 PLC ± -
1 PLC ± -
2 PLC ± -
3 PLC ± 0.127[.005]
4 PLC ± -
ANGLES ± 5°

APVD 130CT2015
MERCURIO MAURIZIO

SIZE CAGE CODE DRAWING NO RESTRICTED TO

FOR ORDER ENTRY
1-800-526-5142

MATERIAL
1
SEE TABLE

FINISH
1
SEE TABLE

PRODUCT SPEC

APPLICATION SPEC

WEIGHT

A3 00779 C-50847

CUSTOMER DRAWING SCALE NTS SHEET 1 OF 1 REV H4

单击下面可查看定价，库存，交付和生命周期等信息

[>>TE Connectivity\(泰科\)](#)