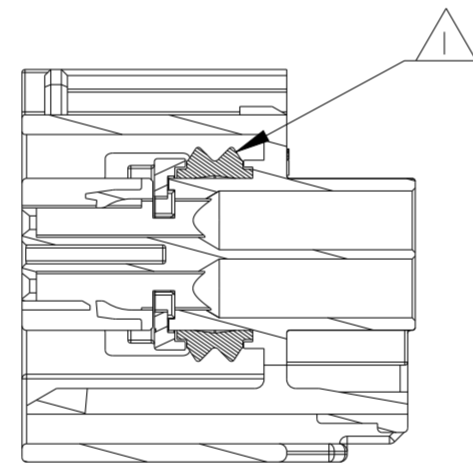
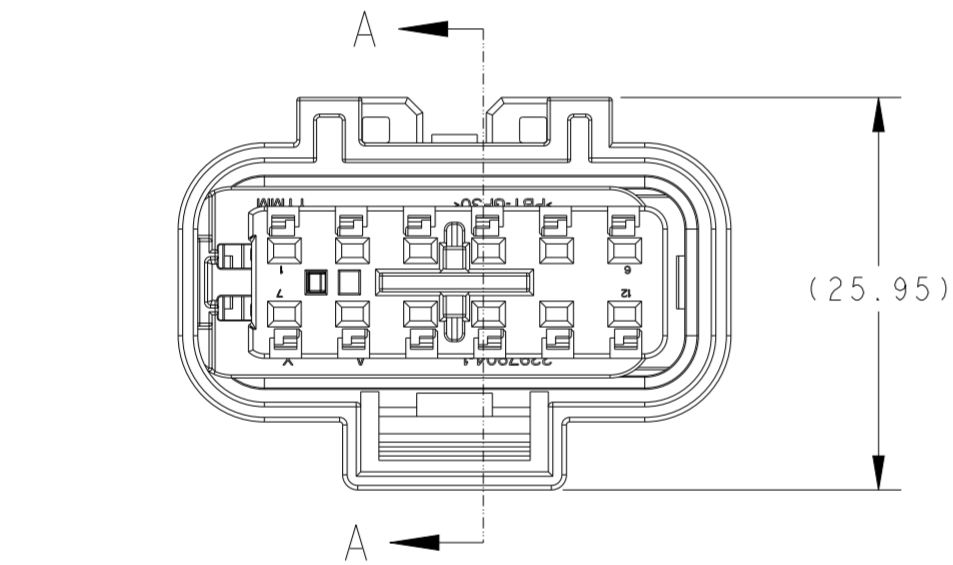
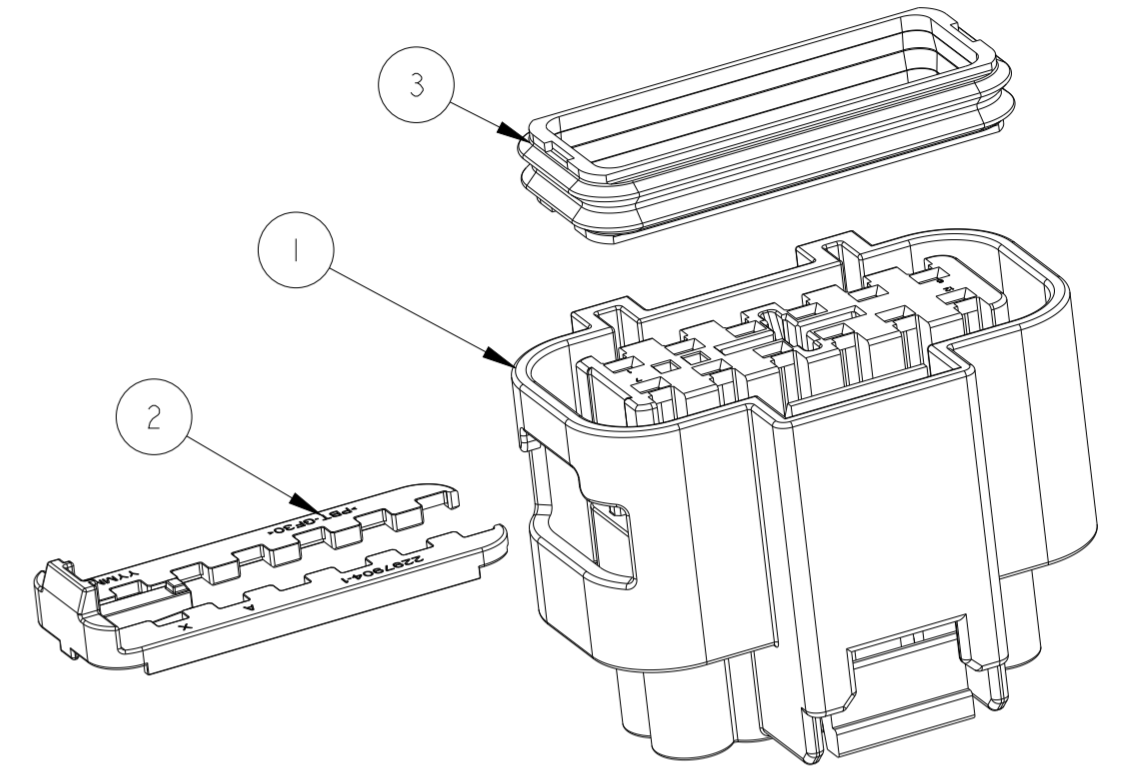
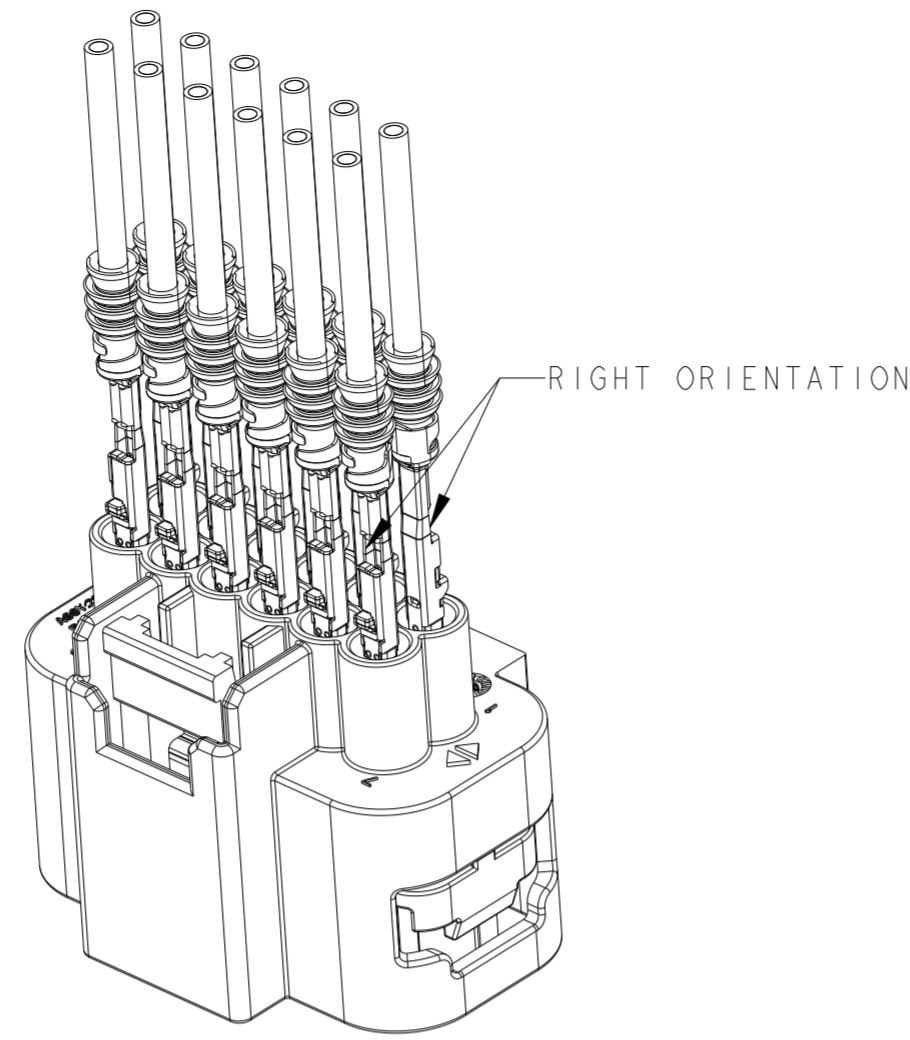
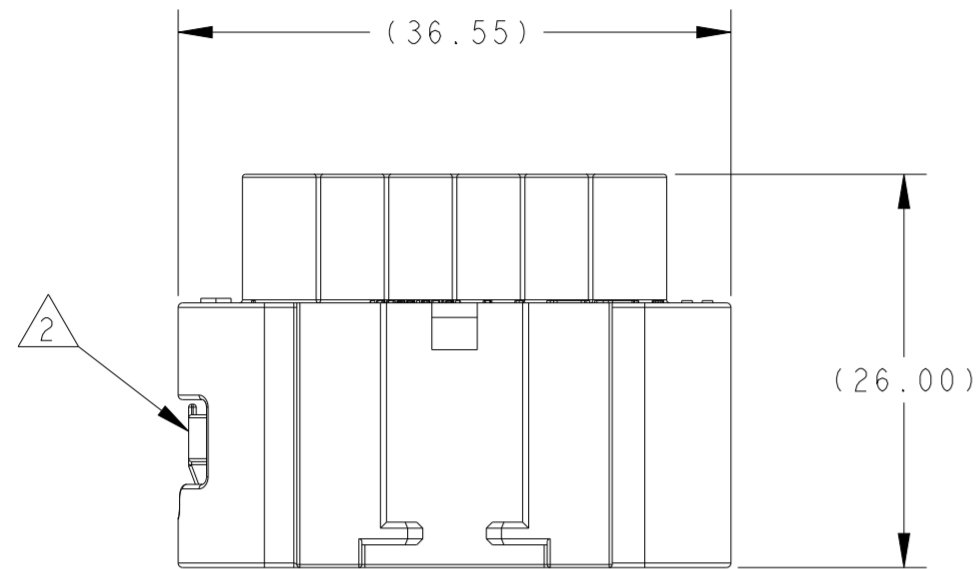


REVISIONS					
P	LTR	DESCRIPTION	DATE	DWN	APVD
A1		CHANGE SWS(ECR-17-004609)	31MAR2017	C.N	I.Y
A2		ADD COD 11(ECR-17-009877)	12JUL2017	C.N	I.Y
B1		ECR-20-015486	30OCT2020	J.L	J.Z
B2		ECN-21-117679	15SEP2021	J.L	J.Z

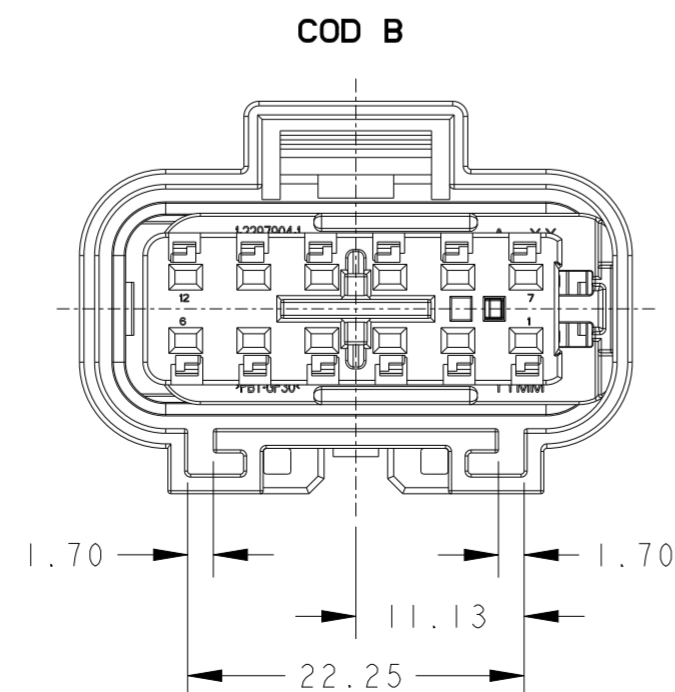
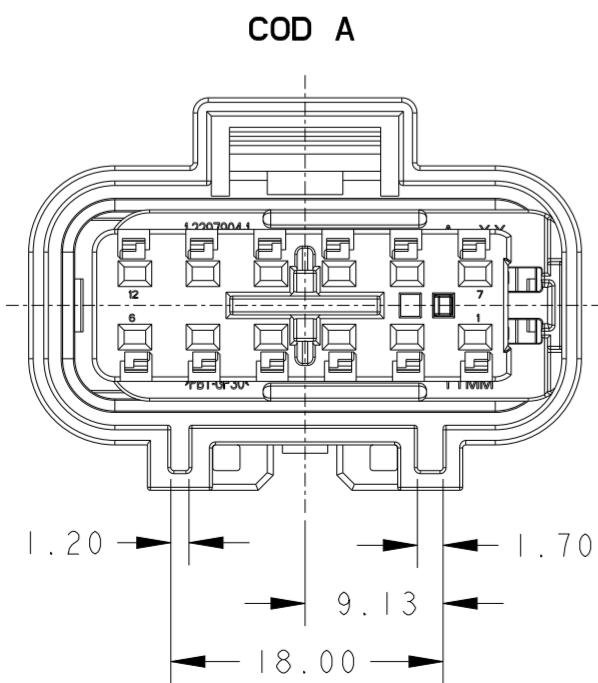


NOTES:

- 1 THE SEALING SHOULD BE FULLY INSERTED AND ALL RIBS OF THE SOCKET HOUSING SHOULD BE INSIDE OF THE CORRESPONDING POCKETS OF THE PERIPHERAL SEAL
- 2 ASSY DELIVERED WITH SECOND LOCK IN PRE-LOCK POSITION
- 3. PRODUCT SPEC: 108-101428
- 4. MATING CONNECTOR: 2297911
- 5. APPLICABLE TERMINAL PART NUMBERS AND WIRE SIZES :

TERMINAL	REFER TO DRAWING	WIRE SIZE (mm ²)	TERMINAL P/N	WIRE INSULATION (mm ²)	CAVITY DIAMETER (mm)	SWS PN/ SEALING PLUG
MCON 1.2	1534326	0.35	1418844	Ø 1.10~Ø 1.75	Ø 3.95	SEE 114-18464
		0.5~0.75	1670146	Ø 1.40~Ø 1.90		
		1.0~1.5	1418850	Ø 1.90~Ø 2.40		
MONO 1.2	2364199	0.35	2364199-3	Ø 1.10~Ø 1.40	Ø 3.95	SEE 114-32121
		0.5	2364199-2	Ø 1.40~Ø 1.70		
		0.75~1.0	2364199-1	Ø 1.45~Ø 2.10		

B2 CODING CONFIGURATION



B2						
1	1	1				
			O-RING	SILICONE	NATURAL	3
			TPA TYPE B	PBT-GF30	RED	2
			TPA TYPE A	PBT-GF30	RED	
			HOUSING, COD B	PA66-GF15	GRAY	1
			HOUSING, COD A	PA66-GF15	BLACK	
COD B	COD A	COD A	DESCRIPTION	MATERIAL	COLOR	ITEM
1-2297907-2	1-2297907-1	2297907-1				

THIS DRAWING IS A CONTROLLED DOCUMENT.

DWN: J. ZHU 30DEC2015
 CHK: A. DANG 30DEC2015
 APVD: SY. WANG 30DEC2015

STE TE Connectivity

NAME: 12WAY IN-LINE CONNECTOR, SEALING
 12 WAY MCON1.2

PRODUCT SPEC: 108-101428

APPLICATION SPEC: -

SIZE: A2 CAGE CODE: - DRAWING NO: C-2297907 RESTRICTED TO: -

MATERIAL: SEE TABLE TOLERANCES UNLESS OTHERWISE SPECIFIED: 0 PLC ±0.5, 1 PLC ±0.3, 2 PLC ±0.3, 3 PLC ±, 4 PLC ±, ANGLES ±, FINISH -

WEIGHT: -

CUSTOMER DRAWING SCALE: 2:1 SHEET: 1 OF 1 REV: B2

单击下面可查看定价，库存，交付和生命周期等信息

[>>TE Connectivity\(泰科\)](#)