

4

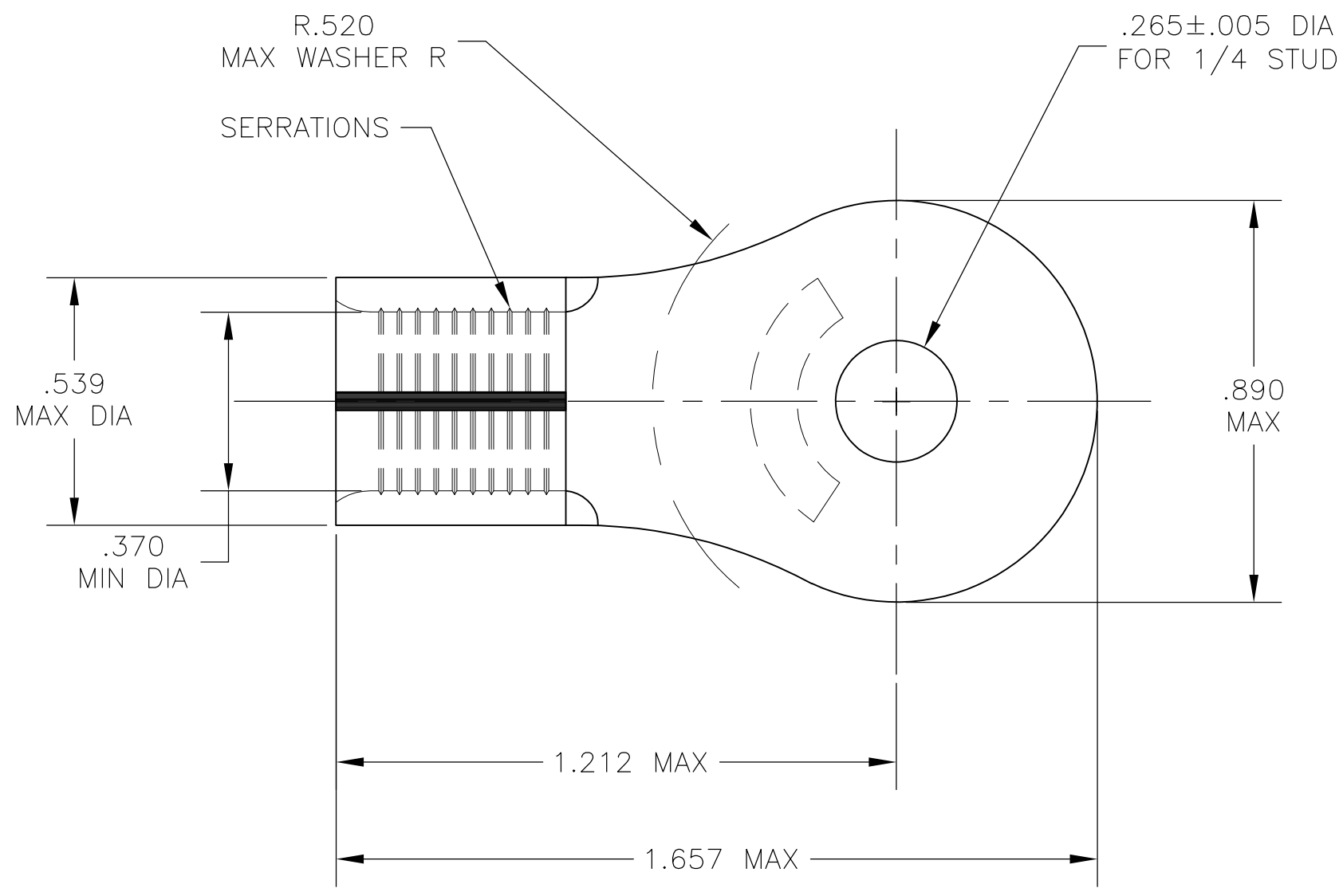
3

2

1

THIS DRAWING IS UNPUBLISHED. RELEASED FOR PUBLICATION
 © COPYRIGHT - By - ALL RIGHTS RESERVED.

LOC	DIST	REVISIONS					
		P	LTR	DESCRIPTION	DATE	DWN	APVD
G	14		F1	REVISED PER ECO-15-006978	08JUN2015	NK	MM



- 1 TONGUE MATERIAL THK IS .070±.003.
- △2 COPPER PER ASTM B152.
- △3 TIN PLATE PER ASTM B545, ANNEALED.

1	WIRE TERMINAL	320138
QTY	DESCRIPTION	PART NO
STE TE Connectivity		
NAME		WIRE TERMINAL SOLISTRAND - RING TONGUE WIRE SIZE: #2
SIZE	CAGE CODE	DRAWING NO
A3	00779	C-320138
RESTRICTED TO		—
SCALE		3:1
SHEET		1 OF 1
REV		F1

THIS DRAWING IS A CONTROLLED DOCUMENT.		DWN	jr_ruth	25MAY04
DIMENSIONS: INCHES		CHK	MJ SPICER	25MAY04
TOLERANCES UNLESS OTHERWISE SPECIFIED:		APVD	MJ SPICER	25MAY04
0 PLC	± -	PRODUCT SPEC		
1 PLC	± -	APPLICATION SPEC		
2 PLC	± -	WEIGHT		
3 PLC	± .008	—		
4 PLC	± -	CUSTOMER DRAWING		
ANGLES	± 5°	SCALE 3:1		
MATERIAL	FINISH	SHEET 1 OF 1		
△2	△3	REV F1		

单击下面可查看定价，库存，交付和生命周期等信息

[>>TE Connectivity\(泰科\)](#)