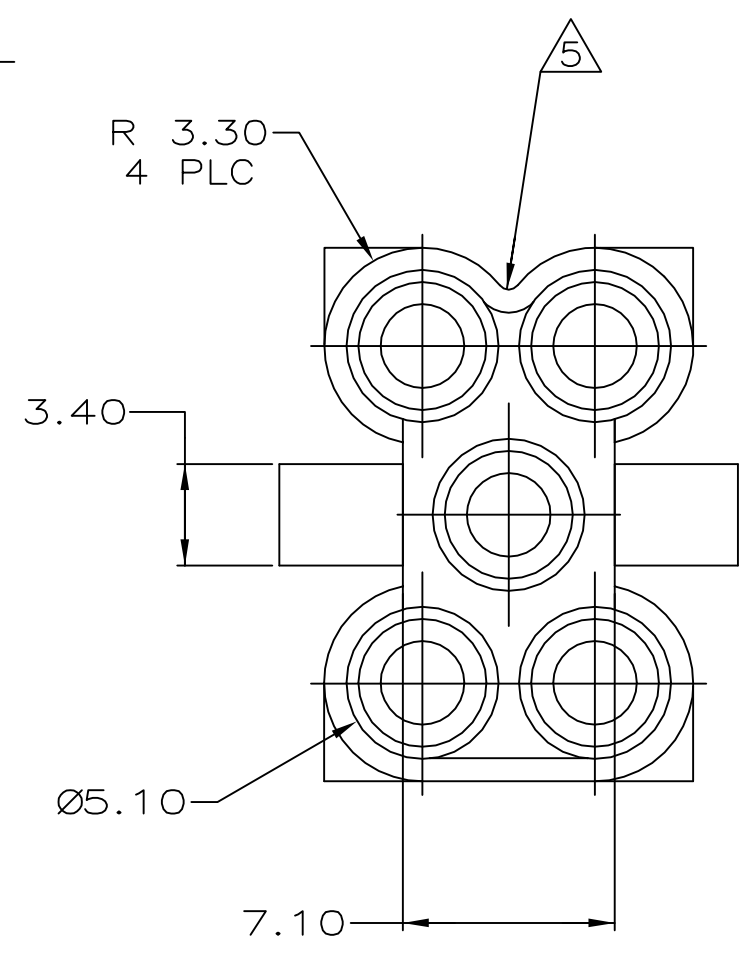
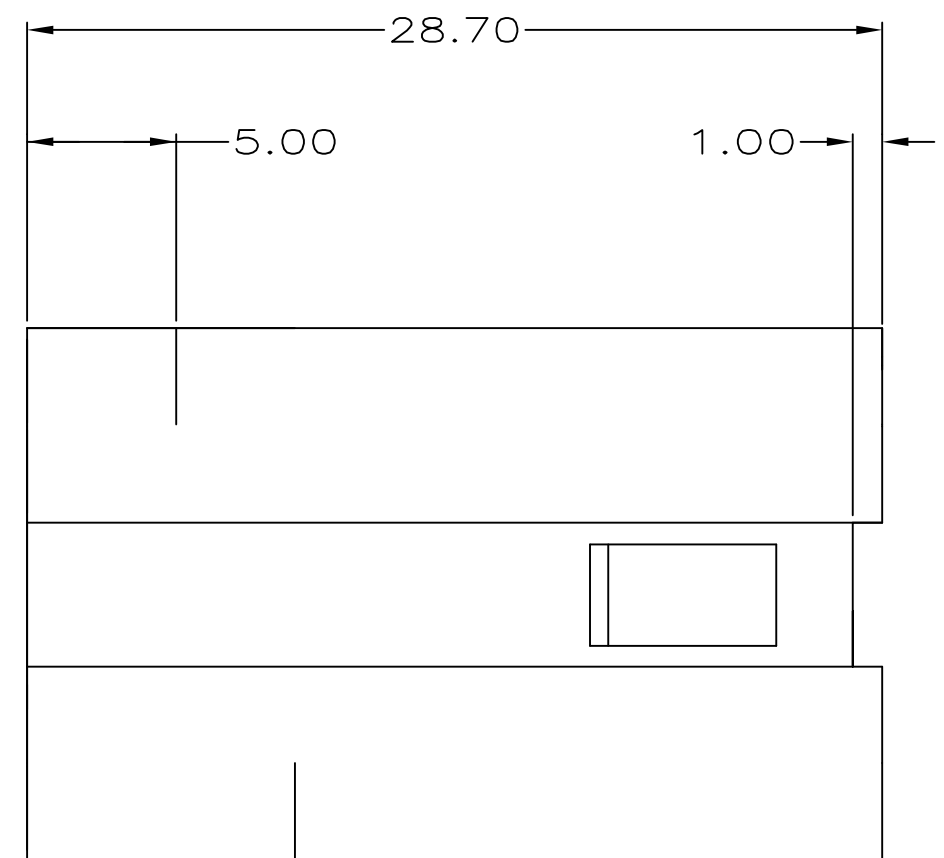
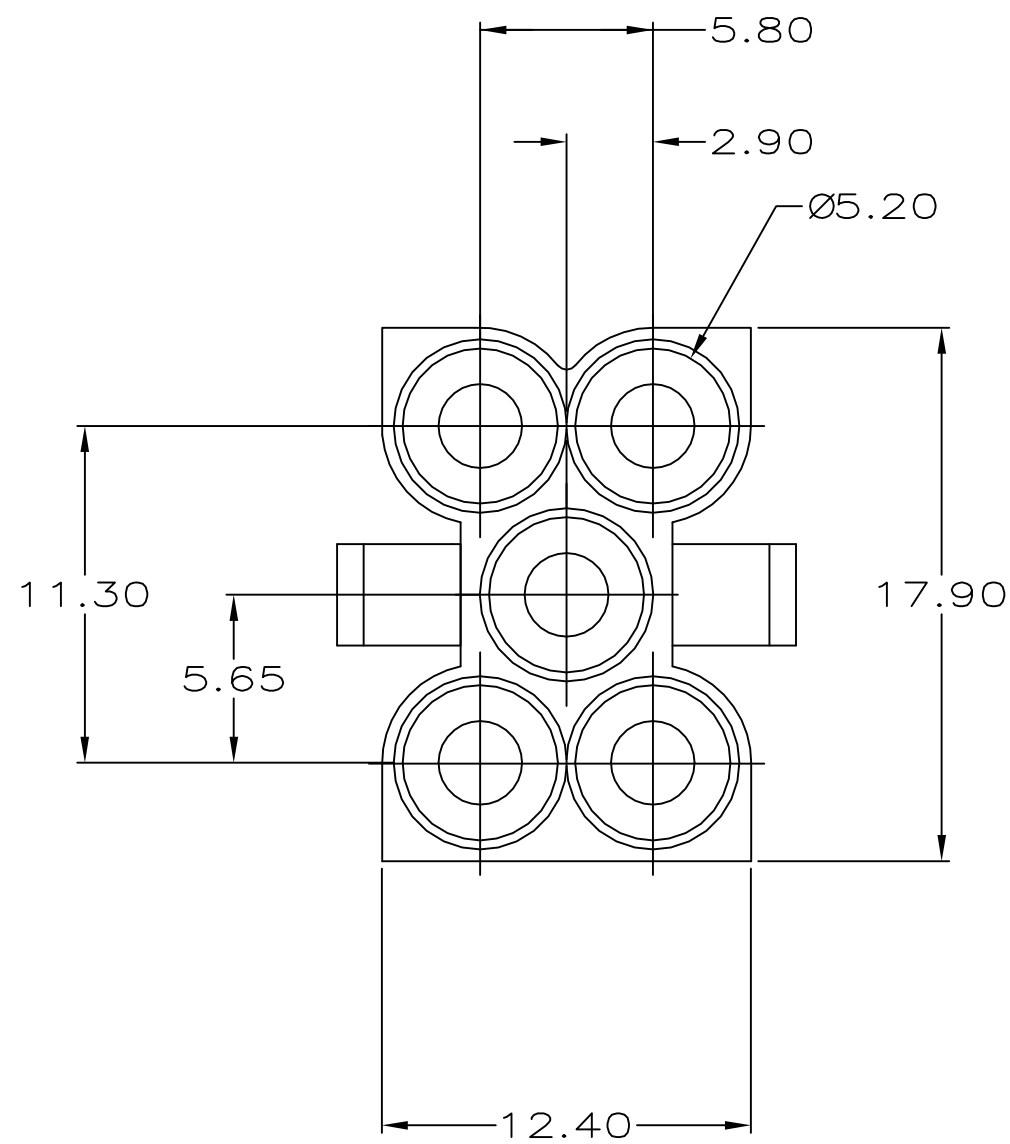


THIS DRAWING IS UNPUBLISHED. RELEASED FOR PUBLICATION  
 © COPYRIGHT - TE Connectivity ALL RIGHTS RESERVED.

REVISIONS					
P	LTR	DESCRIPTION	DATE	DWN	APVD
	E1	REVISED PER ECR-17-008392	29JUN2017	BW	KR



1. ACCEPTS MATE-N-LOK™ PIN 350218 IN CORNER CIRCUITS, AND GROUND PIN 350654 IN CENTER CIRCUIT.
2. CENTER GROUND PIN RECESSED 1.50 MIN AT MATING END; 3.10 MIN. AT BACK END. OTHER 4 PINS RECESSED 3.30 MIN AT MATING END; 3.80 MIN AT BACK END.
3. FOR SUB-BASES 1,2, OR 3 RADII TO BE 0.20 MAX. FOR SUB-BASES 4,5, OR 6 RADII TO BE 2.80±0.20.
4. CAUTION: THIS CONNECTOR IS NOT POLARIZED. IT HAS BEEN DESIGNED IN ACCORDANCE WITH THE INTERNATIONAL ORGANIZATION FOR STANDARDIZATION DESIGN DEPICTED IN DOCUMENT 5599/III DATED 4-27-77 UNDER RESOLUTION 59 OF ISO/TC 131/SC5/WG 3. INTENDED USE IS AS SHOWN IN FIGURE 1-1.
5. VISUAL POLARIZING FEATURE.
6. DIMENSIONS SHOWN REPRESENT PRODUCT IN DRY, AS MOLDED, CONDITION. ADDITIONAL 2% GROWTH DUE TO SUBSEQUENT MOISTURE ABSORPTION MAY OCCUR AND SHOULD BE ACCOUNTED FOR.

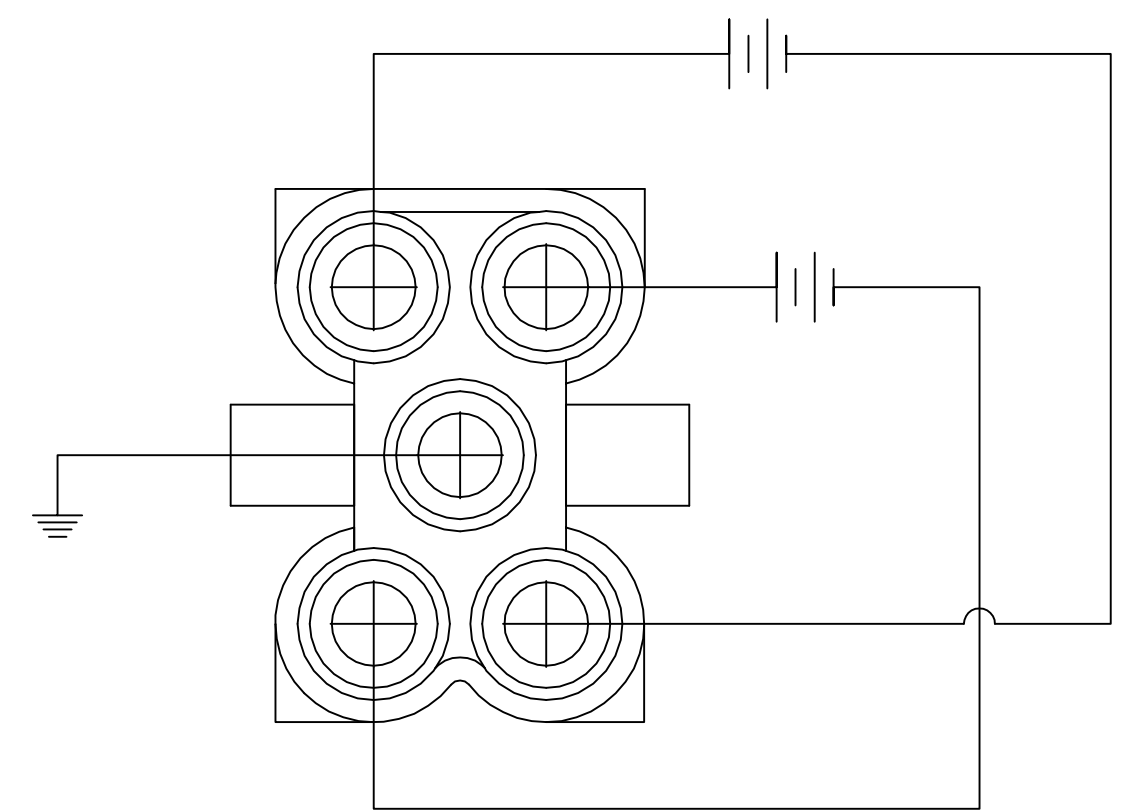
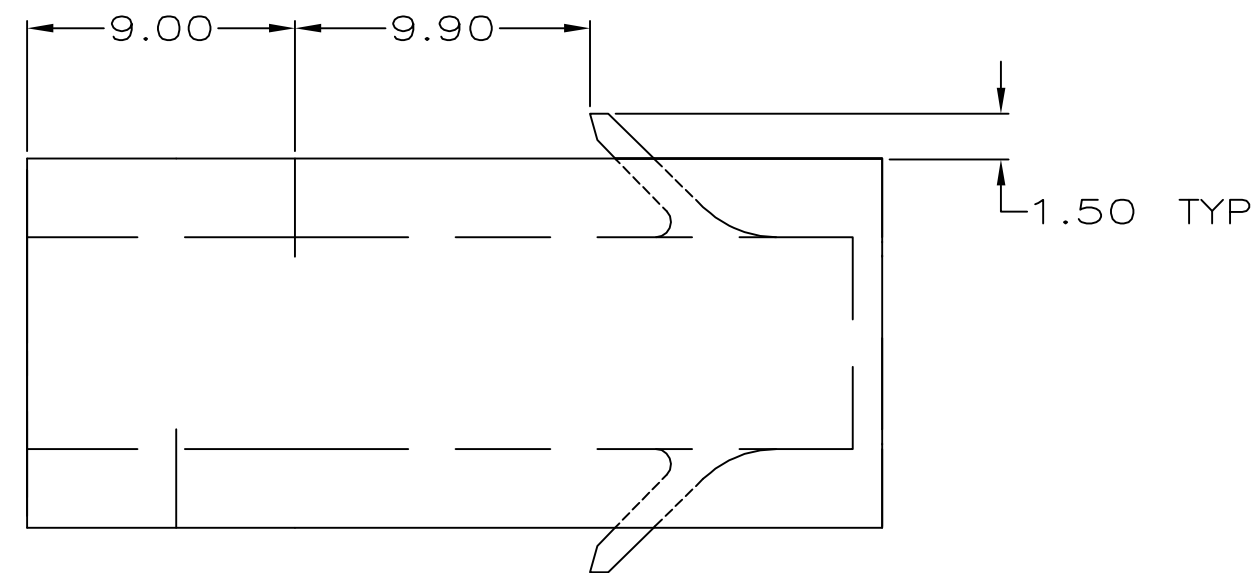
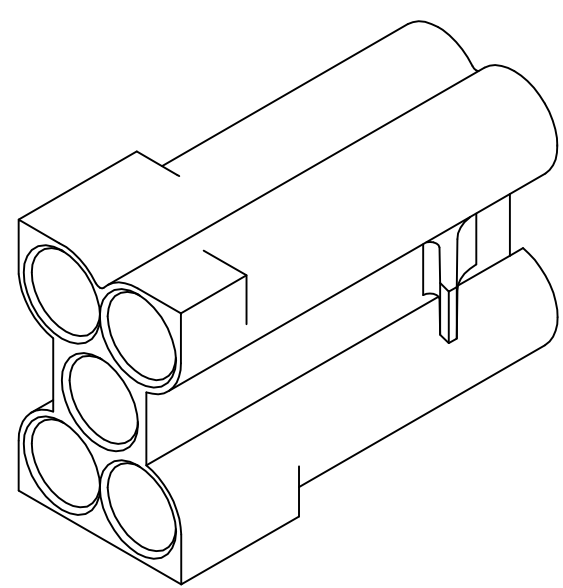
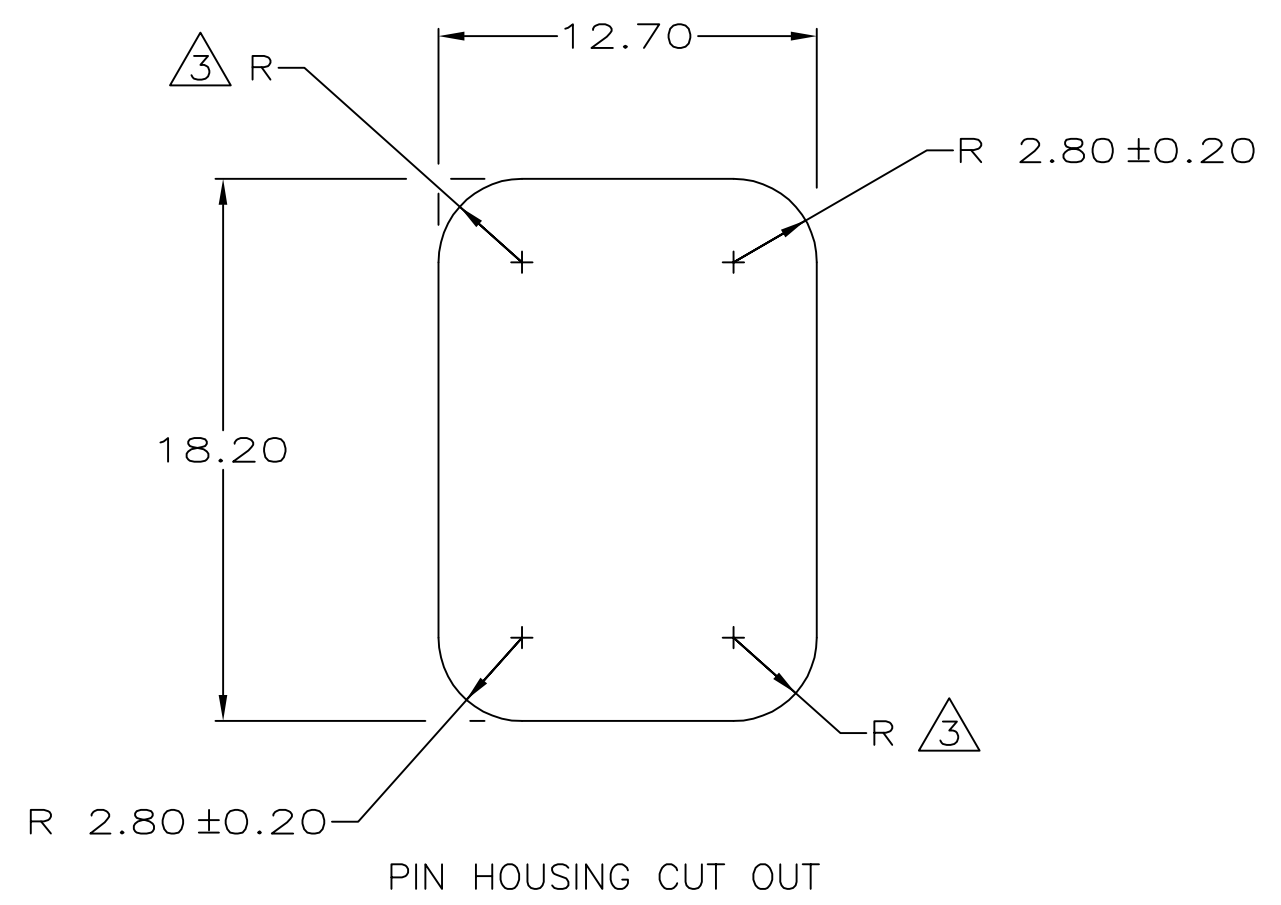


FIGURE 1-1



THIS HOUSING TO BE INSTALLED IN SUBBASE

1-640405-0  
PART NUMBER

THIS DRAWING IS A CONTROLLED DOCUMENT.		DWN K. WHITAKER 11-30-92			NAME	
DIMENSIONS: mm [INCHES]		CHK R. SWING 11-30-92			VALVE CONNECTOR, PIN HOUSING, 5 CIRCUIT, UNIVERSAL MATE-N-LOK™	
TOLERANCES UNLESS OTHERWISE SPECIFIED:		APVD D. SELF 12-11-92	APPLICATION SPEC		SIZE A2	CAGE CODE 00779
0 PLC ± -		WEIGHT 0.000000		DRAWING NO C-640405		RESTRICTED TO
1 PLC ± -		MATERIAL NYLON, UL 94V-2 NATURAL		SCALE 4:1		SHEET 1 of 1
2 PLC ± 0.10		FINISH		CUSTOMER DRAWING		REV E1
3 PLC ± -						
4 PLC ± -						
ANGLES ± -						

CUSTOMER DRAWING

单击下面可查看定价，库存，交付和生命周期等信息

[>>TE Connectivity\(泰科\)](#)