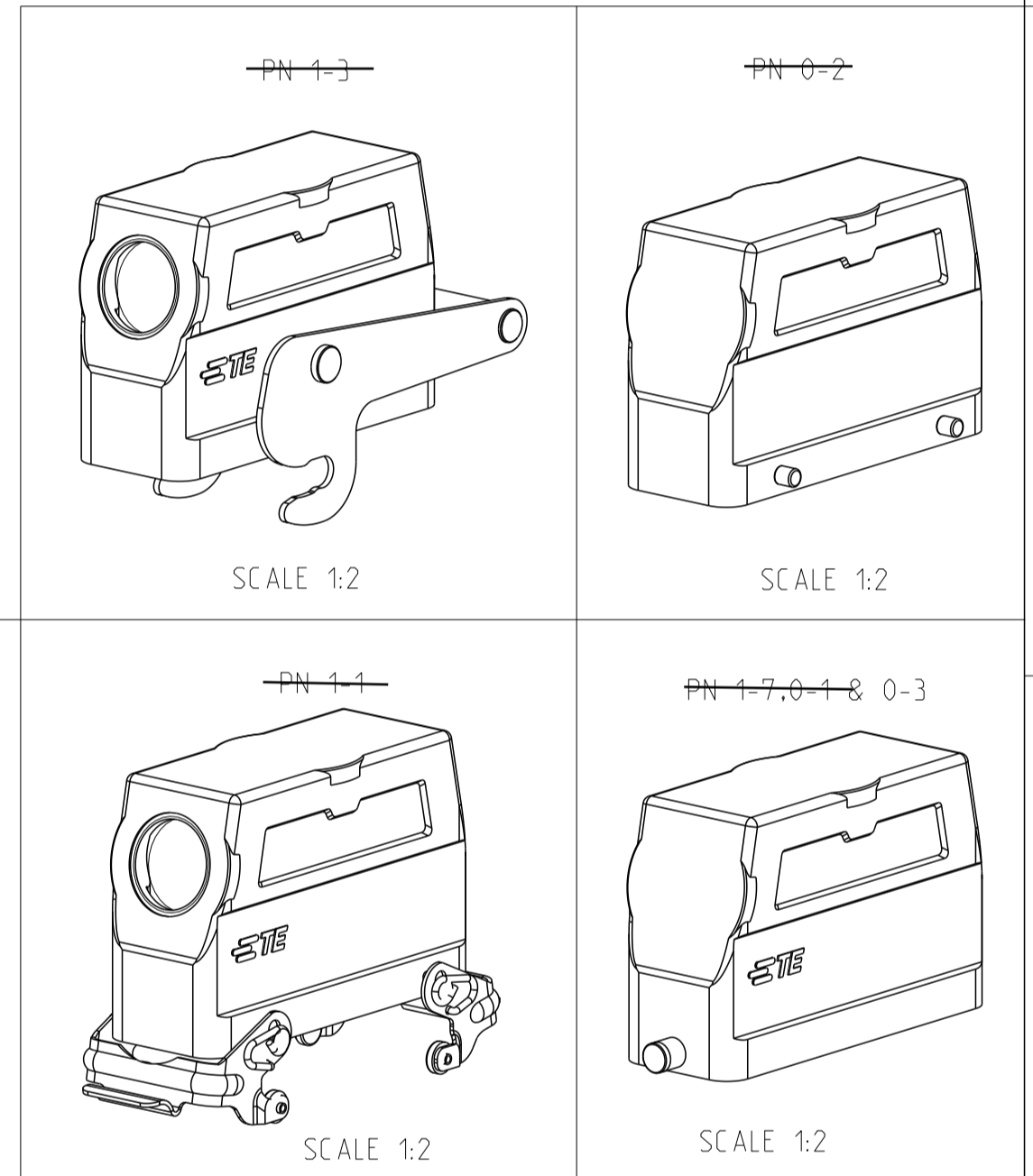


| REVISIONS |     |                           |           |          |
|-----------|-----|---------------------------|-----------|----------|
| P.        | LTH | DESCRIPTION               | DATE      | DMN APVD |
| A7        |     | ECR-16-015318             | 19SEP2017 | GR MKO   |
| A8        |     | REVISED PER ECR-16-016780 | 28JAN2018 | SRG MKO  |
| A9        |     | ECR-17-014011             | 28MAR18   | SG MKO   |

- NOTES.
- 1 Material:Housing:Aluminium Diecasting Alloy
  - 2 Surface-Varnish Grey  
-Aluminium Oxide +  
Varnish Black
  - 3 Varnish on the inside not necessary
  - 4 Packaging  
Quantity 5 Pieces in a box



| ITEM NO | DESCRIPTION     | MATERIAL        | SURFACE         | COLOR | ITEM NO | REMARKS                                     |
|---------|-----------------|-----------------|-----------------|-------|---------|---|
| 1       | HD Hood         | Aluminium       |                 | Grey  | 11      | Without Logo / Drilling                     |
| 1       | HD Hood         | Aluminium       |                 | Grey  | 10      | Without PG-Thread /W without HTS-indication |
| 1       | ZB-Central clip | Stainless steel | Blank           |       | 9       |   |
| 1       | ZB-Central clip | Steel           | Zinc plated     | Blue  | 8       |   |
| 2       | LB-Clip bolt    | Steel           | Zinc plated     | Blue  | 7       |   |
| 2       | VS-Side clip    | Steel           | Zinc plated     | Blue  | 6       |   |
| 4       | VS-Clip bolt    | Stainless steel | Blank           |       | 5       |   |
| 4       | VS-Clip bolt    | Steel           | Zinc plated     | Blue  | 4       |   |
| 1       | HD Hood         | Aluminium       |                 | Grey  | 3       | Without PG-Thread                           |
| 1       | HD-K Hood       | Aluminium       | Aluminium oxide | Black | 2       |   |
| 1       | HD Hood         | Aluminium       |                 | Grey  | 1       |   |

THIS DRAWING IS A CONTROLLED DOCUMENT. DWN: Schneider 12.06.2001  
 CHE: Schweiger 12.06.2001

**ETE** TE Connectivity

NAME: Hood  
 HD .64 .STS .1.21.G

PRODUCT SPEC: HD .64 .STS .1.21.G  
 APPLICATION SPEC: HD .64 .STS .1.21.G

SIZE: A1 CAGE CODE: 00779 DRAWING NO: 1103336 RESTRICTED TO: -

CUSTOMER DRAWING SCALE: 1:1 SHEET: 1 OF 1 REV: A9

单击下面可查看定价，库存，交付和生命周期等信息

[>>TE Connectivity\(泰科\)](#)