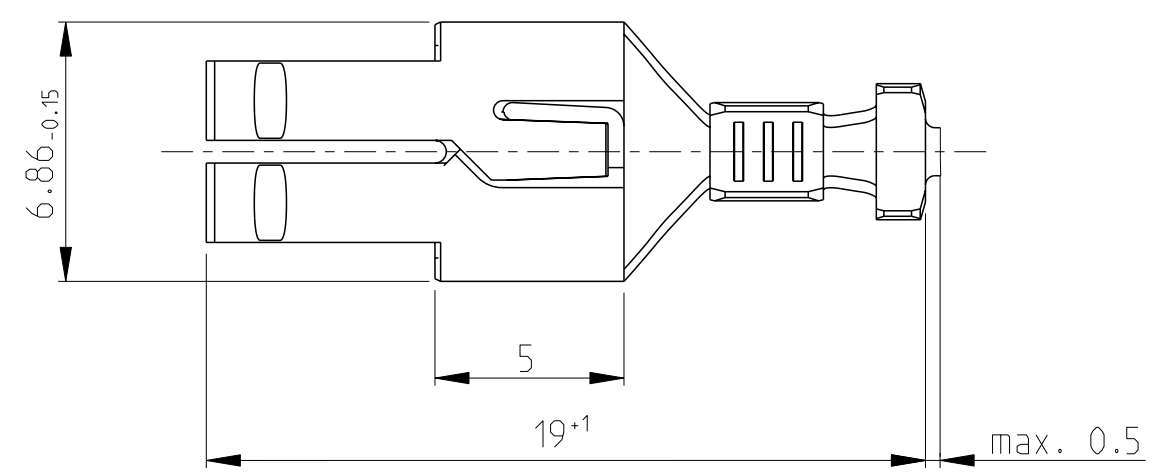
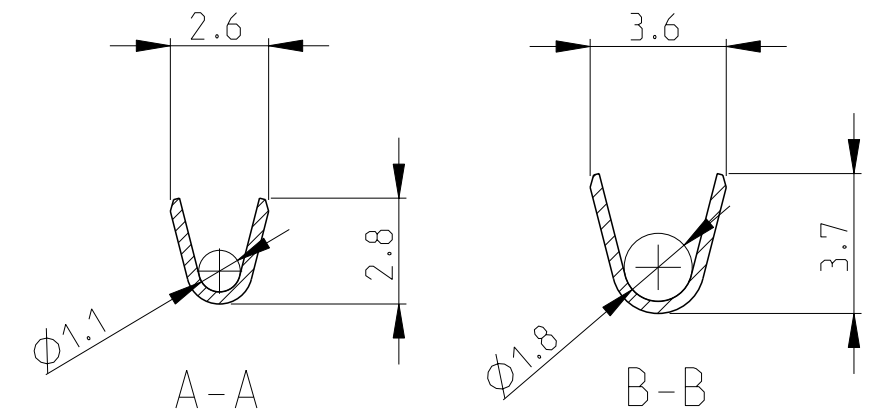
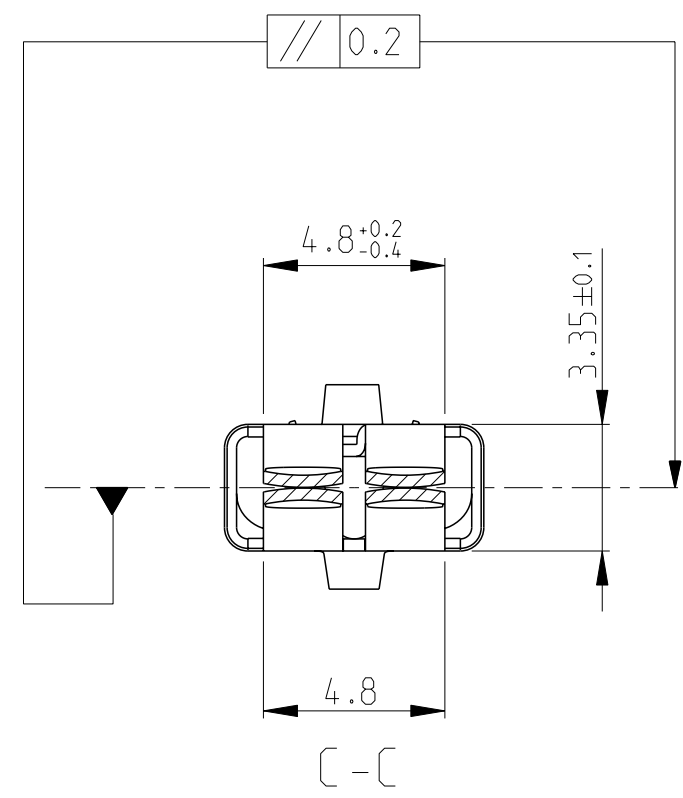
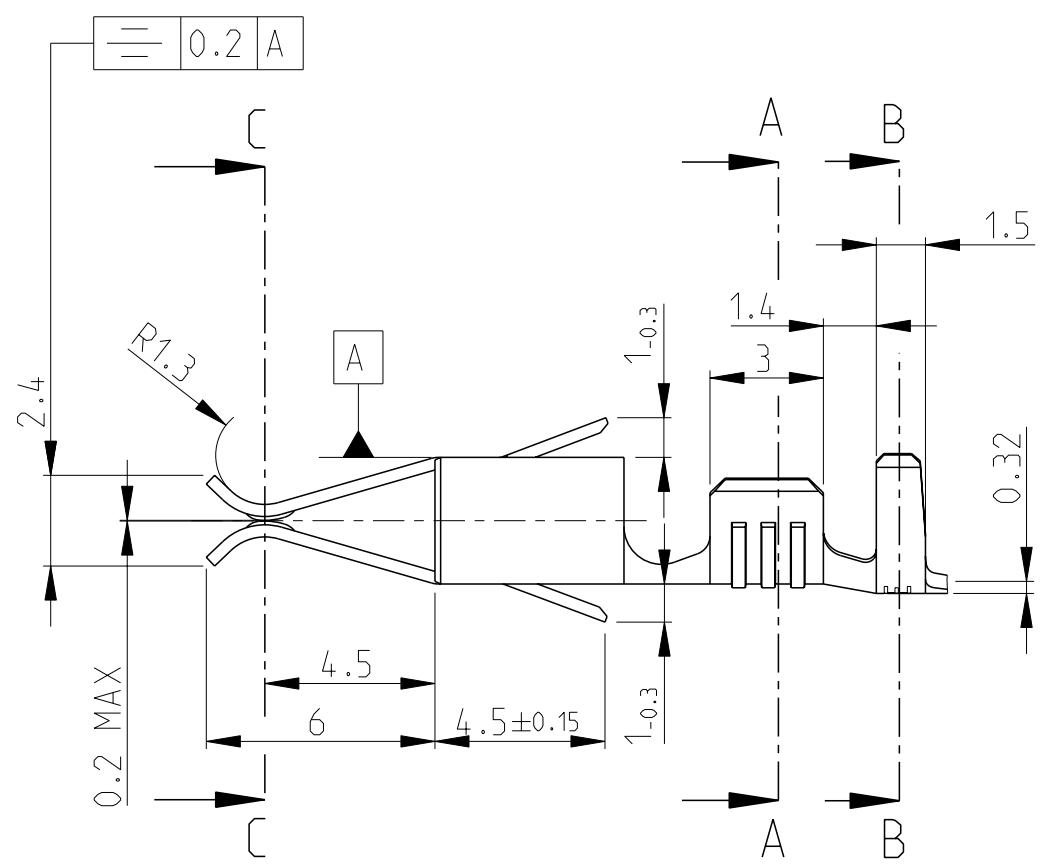


THIS DRAWING IS UNPUBLISHED. RELEASED FOR PUBLICATION 2011
 © COPYRIGHT 2011 ALL RIGHTS RESERVED.

LOC	DIST	REVISIONS				
P	LTR	DESCRIPTION	DATE	DWN	APVD	
		C3	ECR-15-016432	18NOV2015	KD	RR
		C4	ECR-15-018664	28DEC2015	KD	RR
		C5	ECR-17-005296	12APR2017	KD	RR
		C6	REVISED PER ECR-20-100299	10AUG2020	BDA	W W



WIRE CRIMP SELECTION TABLE
 WIRE: "F" CRIMP
 INSULATION: OVERLAPPING CRIMP

WIRE CROSS SECTION (mm ²)					
SINGLE WIRE	WIRE CROSS SECTION (mm ²)				
	0.35	0.50	0.75	1.00	
0.35	X	X			
0.50	X	X	X		
0.75	X				
1.00	X				

LOOSE PIECE	FINISH	MATERIAL	PART NO.	REV.
-	PRE-TIN	CuNiSi	964201-4	C
-	PRE-TIN	CuFe	964201-3	C
-	PRE-TIN	CuSn	964201-2	C
-	PRE-TIN	CuZn30	964201-1	C

THIS DRAWING IS A CONTROLLED DOCUMENT.

DIMENSIONS: mm	TOLERANCES UNLESS OTHERWISE SPECIFIED:	DWN J. Salo 20-AUG-10	
	0 PLC ±0.2	CHK R. Sole 25AUG2010	
	1 PLC ±0.2	APVD L. Batllo 25AUG2010	
	2 PLC ±0.2	PRODUCT SPEC	
MATERIAL -	3 PLC ±0.2	APPLICATION SPEC	NAME STANDARD TIMER CONTACT WITH TWO LOCKING LANCES
	4 PLC ±0.2	WEIGHT -	SIZE A3 CAGE CODE - DRAWING NO C-964201 RESTRICTED TO
	ANGLES ±1°	CUSTOMER DRAWING	SCALE 5:1 SHEET 1 OF 2 REV C6
	FINISH -		

SINGLE WIRE RANGE: 0.5 - 1.0 mm²
 INSULATION RANGE: Ø1.4 - 2.3 mm

THIS DRAWING IS UNPUBLISHED.

RELEASED FOR PUBLICATION

2011

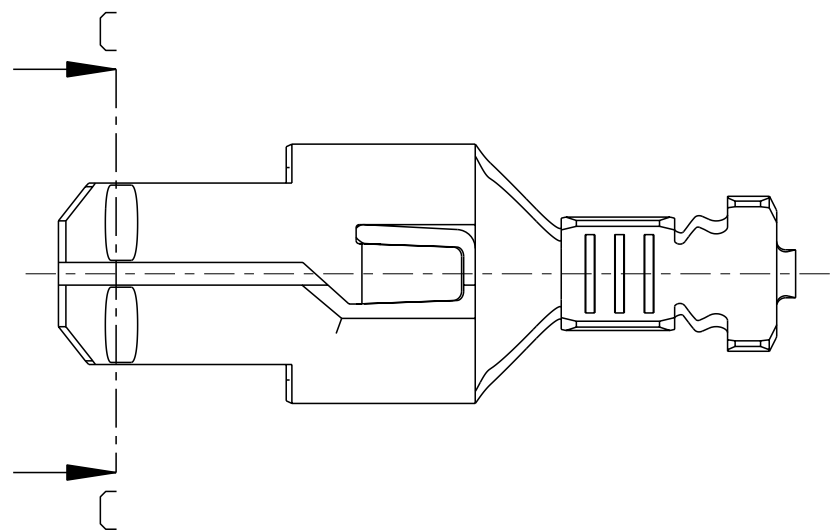
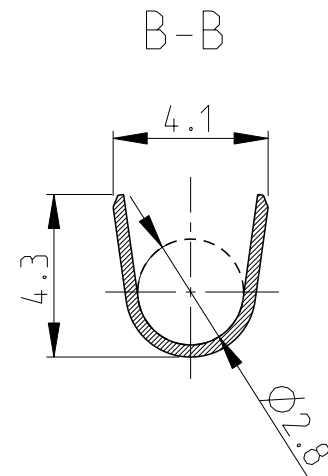
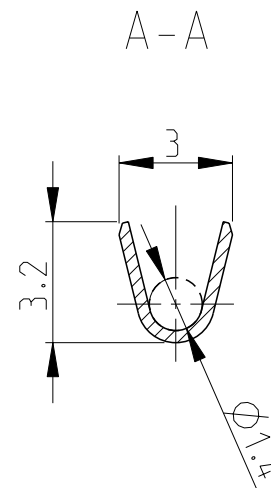
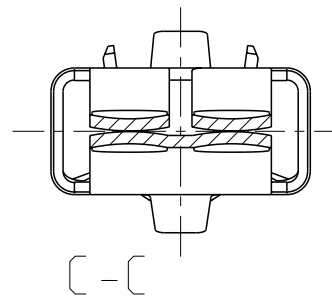
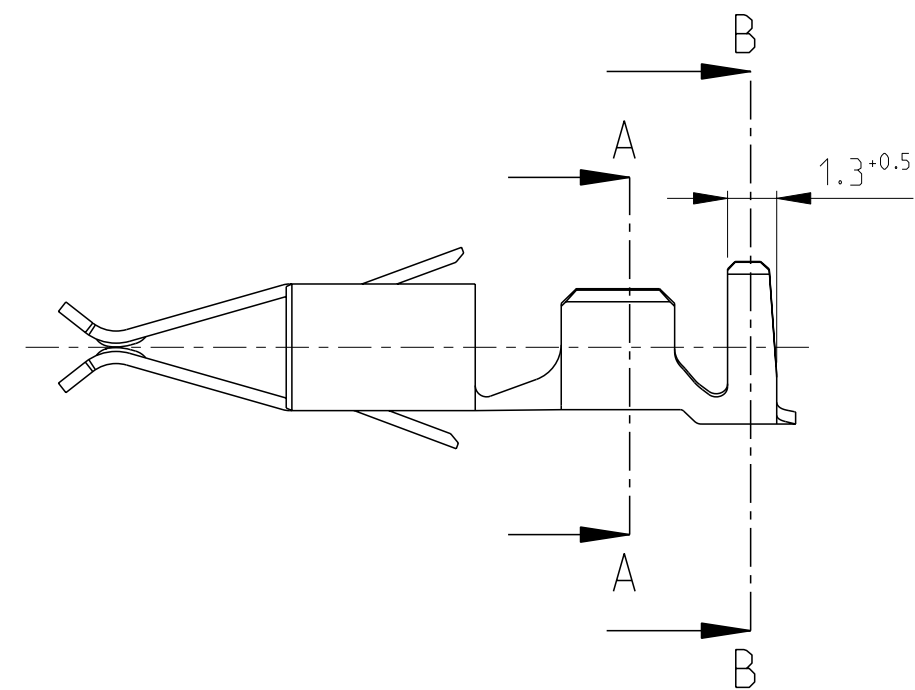
© COPYRIGHT 2011

ALL RIGHTS RESERVED.

LOC DIST

REVISIONS

P	LTR	DESCRIPTION	DATE	DWN	APVD
-	-	SEE SHEET 1	-	-	-



WIRE CROSS SECTION (mm²)

	SINGLE WIRE	0.50	0.75	1.00	1.50
0.50	X	X			
0.75	X				
1.00	X				
1.50	X				

ATTENTION!
 ONLY FOR 3-969036-4
 OTHER DIMENSION SEE SHEET 1

-	PRE-TIN	CuNiSi	3-969036-4	A
LOOSE PIECE	FINISH	MATERIAL	PART NO.	REV.

THIS DRAWING IS A CONTROLLED DOCUMENT.

DWN J. Salo 20-AUG-10
 CHK R. Sole 25AUG2010
 APVD L. Batllo 25AUG2010
 PRODUCT SPEC
 APPLICATION SPEC
 WEIGHT -



NAME STANDARD TIMER CONTACT WITH TWO LOCKING LANCES
 -

DIMENSIONS:	TOLERANCES UNLESS OTHERWISE SPECIFIED:
mm	
	0 PLC ±0.2
	1 PLC ±0.2
	2 PLC ±0.2
	3 PLC ±0.2
	4 PLC ±0.2
	ANGLES ±1°
MATERIAL -	FINISH -

SIZE	CAGE CODE	DRAWING NO	RESTRICTED TO
A3	-	C-964201	-

WIRE RANGE: 0.5 - 1.5 mm²
 INSULATION RANGE: Ø2.0 - 3.0 mm

CUSTOMER DRAWING SCALE 5:1 SHEET 2 OF 2 REV C6

单击下面可查看定价，库存，交付和生命周期等信息

[>>TE Connectivity\(泰科\)](#)