

THIS DRAWING IS UNPUBLISHED.

RELEASED FOR PUBLICATION

20

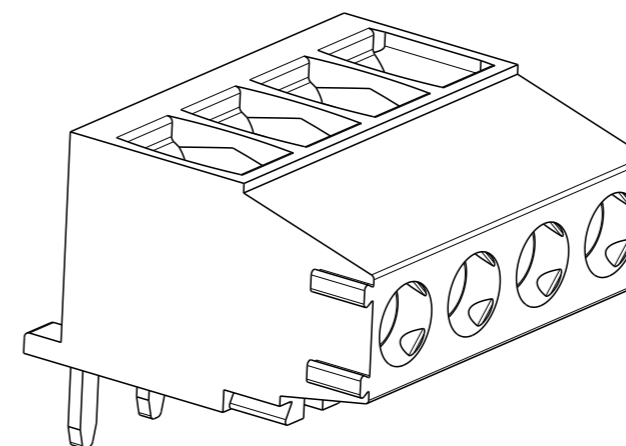
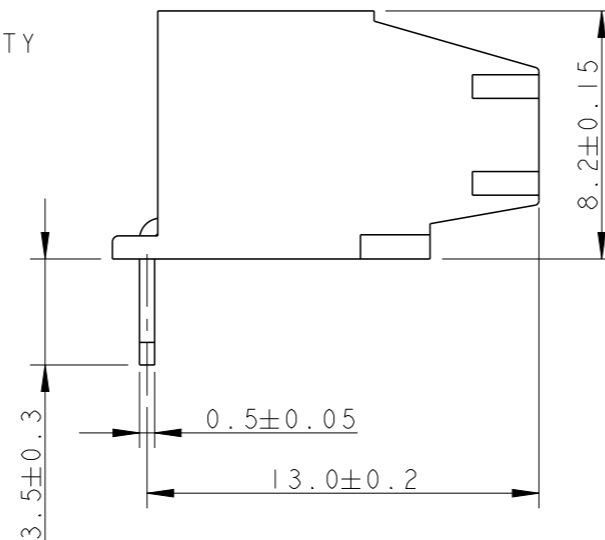
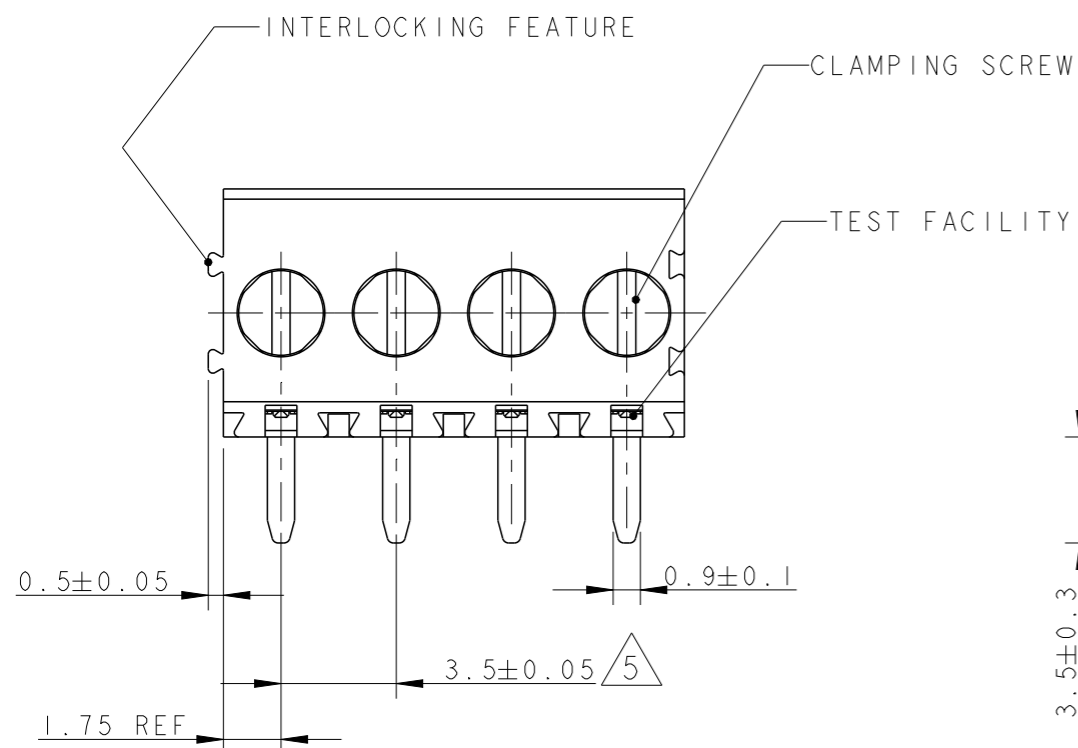
© COPYRIGHT 20

ALL RIGHTS RESERVED.

|     |      |
|-----|------|
| LOC | DIST |
| FT  | 0    |

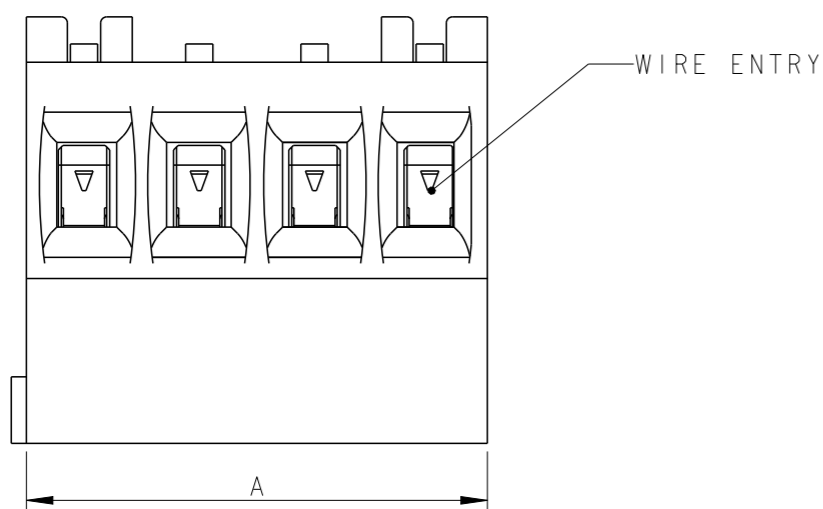
REVISIONS

| P | LTR | DESCRIPTION                       | DATE      | DWN | APVD |
|---|-----|-----------------------------------|-----------|-----|------|
|   | B1  | REVISED PER ECO-12-001398         | 23JAN12   | KH  | MS   |
|   | C   | PACKAGING CHANGE FROM BOX TO TRAY | 08SEP2017 | FP  | FP   |



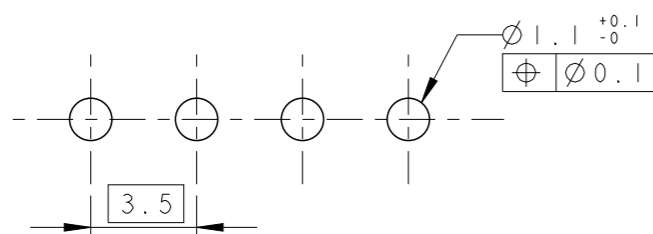
284414-4 AS SHOWN

|         |           |             |
|---------|-----------|-------------|
| 87.5    | 25        | 2-284414-5  |
| 84.0    | 24        | 2-284414-4  |
| 80.5    | 23        | 2-284414-3  |
| 77.0    | 22        | 2-284414-2  |
| 73.5    | 21        | 2-284414-1  |
| 70.0    | 20        | 2-284414-0  |
| 66.5    | 19        | 1-284414-9  |
| 63.0    | 18        | 1-284414-8  |
| 59.5    | 17        | 1-284414-7  |
| 56.0    | 16        | 1-284414-6  |
| 52.5    | 15        | 1-284414-5  |
| 49.0    | 14        | 1-284414-4  |
| 45.5    | 13        | 1-284414-3  |
| 42.0    | 12        | 1-284414-2  |
| 38.5    | 11        | 1-284414-1  |
| 35.0    | 10        | 1-284414-0  |
| 31.5    | 9         | 284414-9    |
| 28.0    | 8         | 284414-8    |
| 24.5    | 7         | 284414-7    |
| 21.0    | 6         | 284414-6    |
| 17.5    | 5         | 284414-5    |
| 14.0    | 4         | 284414-4    |
| 10.5    | 3         | 284414-3    |
| 7.0     | 2         | 284414-2    |
| DIM "A" | NO OF POS | PART NUMBER |



- 1 MATERIALS AND FINISH  
HOUSING : PA 6.6, UL 94-V0, COLOR GREEN.  
CLAMP : BRASS, NICKEL PLATED  
TERMINAL : BRASS, TIN PLATED  
CLAMPING SCREW : M2, BRASS, NICKEL PLATED
- 2 SUITABLE FOR 1.6-2.4 mm. PC BOARD THICKNESS.
- 3 END-TO-END STACKABLE W/INTERLOCK WITHOUT LOSS OF CENTERLINE SPACING
- 4 WIRE SIZE RANGE  
12 - 30 AWG
- 5 NOT CUMULATIVE TOLERANCE

RECOMMENDED PCB BOARD LAYOUT



THIS DRAWING IS A CONTROLLED DOCUMENT.

DIMENSIONS: mm



MATERIAL

TOLERANCES UNLESS OTHERWISE SPECIFIED:

|        |      |
|--------|------|
| 0 PLC  | ±-   |
| 1 PLC  | ±.3  |
| 2 PLC  | ±.25 |
| 3 PLC  | ±-   |
| 4 PLC  | ±-   |
| ANGLES | ±2   |

FINISH

DWN 01FEB2002

E. ZANOLINI

CHK 01FEB2002

E. ZANOLINI

APVD 01FEB2002

D. BIEVENOUR

PRODUCT SPEC

108-20166

APPLICATION SPEC

114-20079

WEIGHT

-

CUSTOMER DRAWING



NAME  
TERMINAL BLOCK PCB MOUNT, 90 Deg  
TOP ENTRY WIRE, STACKING  
W/INTERLOCK, 3.5mm PITCH

|      |           |            |               |
|------|-----------|------------|---------------|
| SIZE | CAGE CODE | DRAWING NO | RESTRICTED TO |
|------|-----------|------------|---------------|

A300779 C-284414

|       |       |    |     |
|-------|-------|----|-----|
| SCALE | SHEET | OF | REV |
| 4:1   | 1     | 1  | C   |

单击下面可查看定价，库存，交付和生命周期等信息

[>>TE Connectivity\(泰科\)](#)