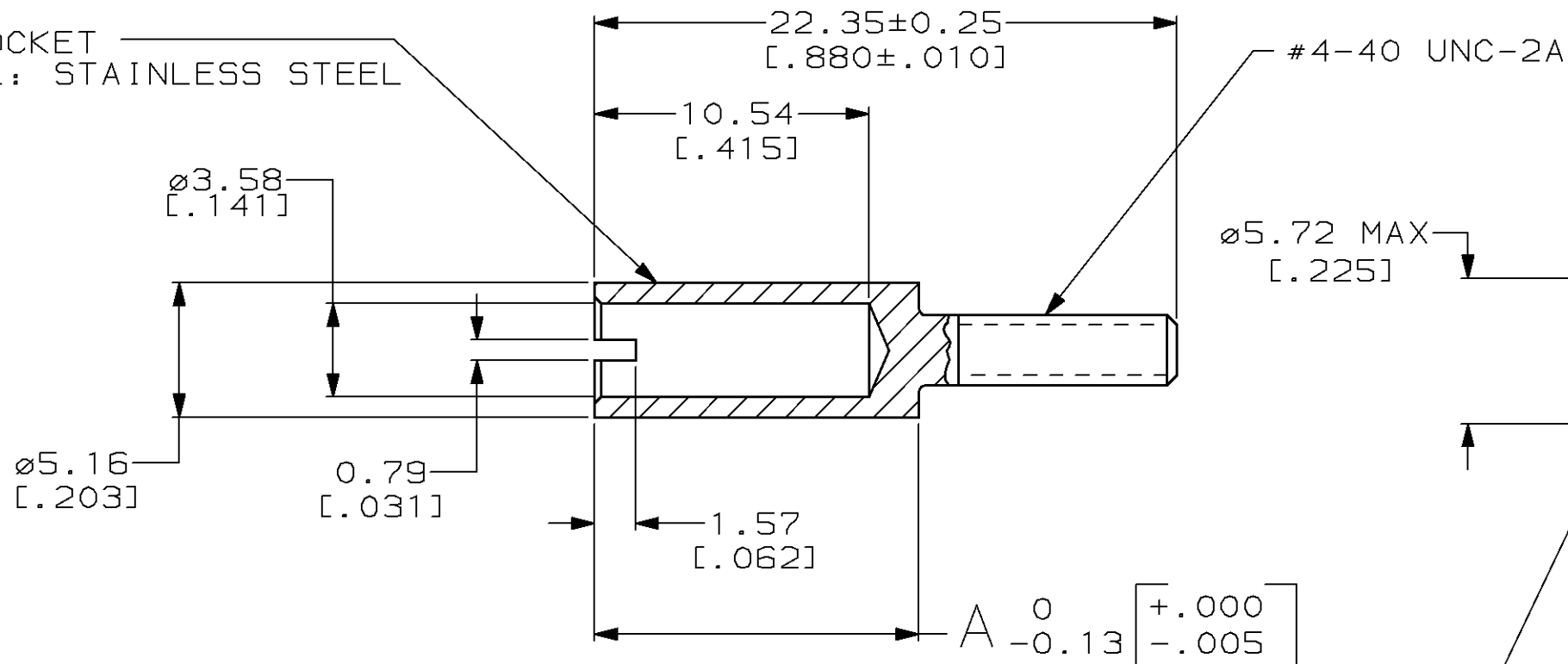


THIS DRAWING IS UNPUBLISHED. RELEASED FOR PUBLICATION, 19 .
 © COPYRIGHT 19 BY AMP INCORPORATED. ALL RIGHTS RESERVED.

LOC	DIST	REVISIONS			
P	LTR	DESCRIPTION	DATE	DWN	APVD
BD	36	M	REDRAWN ON CAD W/O CHANGE PER EC 0020-1343-95	15 FEB 96	BC GS

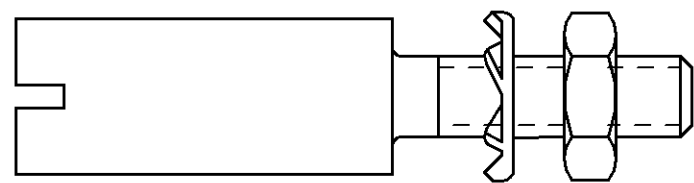
GUIDE SOCKET
 MATERIAL: STAINLESS STEEL



LOCKWASHER
 MATERIAL: STAINLESS STEEL
 FINISH: PASSIVATED

NUT #4-40 UNC-2B
 × 4.75 [.187] ACROSS FLATS
 MATERIAL: CARBON STEEL
 FINISH: ZINC PLATED

11.94 [.470]	203964-5
12.45 [.490]	203964-1
A	PART NUMBER



ASSEMBLED VIEW

THIS DRAWING IS A CONTROLLED DOCUMENT FOR AMP INCORPORATED.
 IT IS SUBJECT TO CHANGE AND THE CONTROLLING ENGINEERING
 ORGANIZATION SHOULD BE CONTACTED FOR THE LATEST REVISION.

DIMENSIONS:	TOLERANCES UNLESS OTHERWISE SPECIFIED:
mm [INCHES]	
0 PLC	±-
1 PLC	±-
2 PLC	±0.38 [.015]
3 PLC	±-
4 PLC	±-
ANGLES	±-
MATERIAL	FINISH
SEE CALLOUTS	SEE CALLOUTS

DWN	B. CARBO	15 FEB 96
CHK	R. STONE	20 FEB 96
APVD	G. STEINHAUER	17 APR 96
PRODUCT SPEC	-	-
APPLICATION SPEC	-	-
WEIGHT	-	-
CUSTOMER DRAWING		

AMP Incorporated Harrisburg, PA 17105-3608		
NAME GUIDE SOCKET KIT, CORNER, UNASSEMBLED, MINIATURE RECTANGULAR M SERIES		
SIZE	CAGE CODE	DRAWING NO
A3	00779	C-203964
SCALE	SHEET	REV
4:1	1 OF 1	M

单击下面可查看定价，库存，交付和生命周期等信息

[>>TE Connectivity\(泰科\)](#)