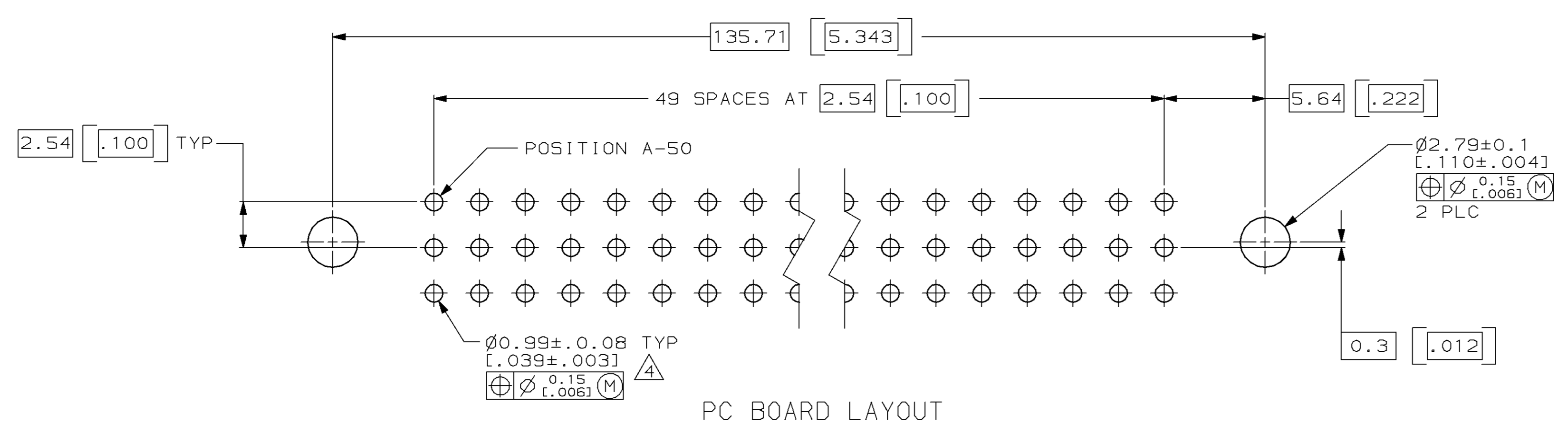
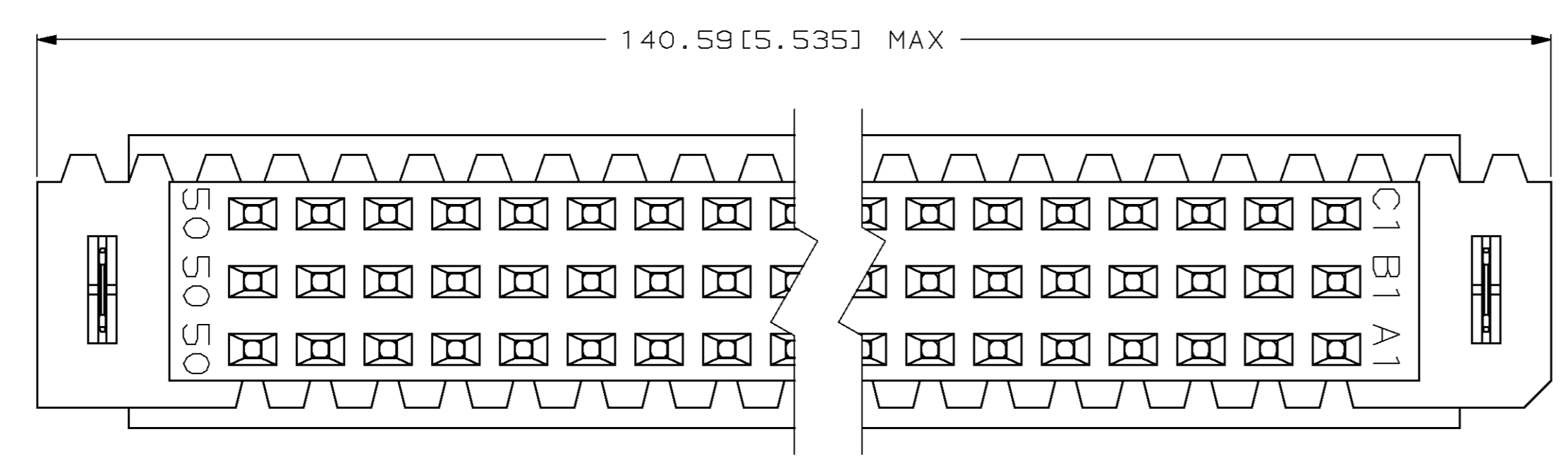
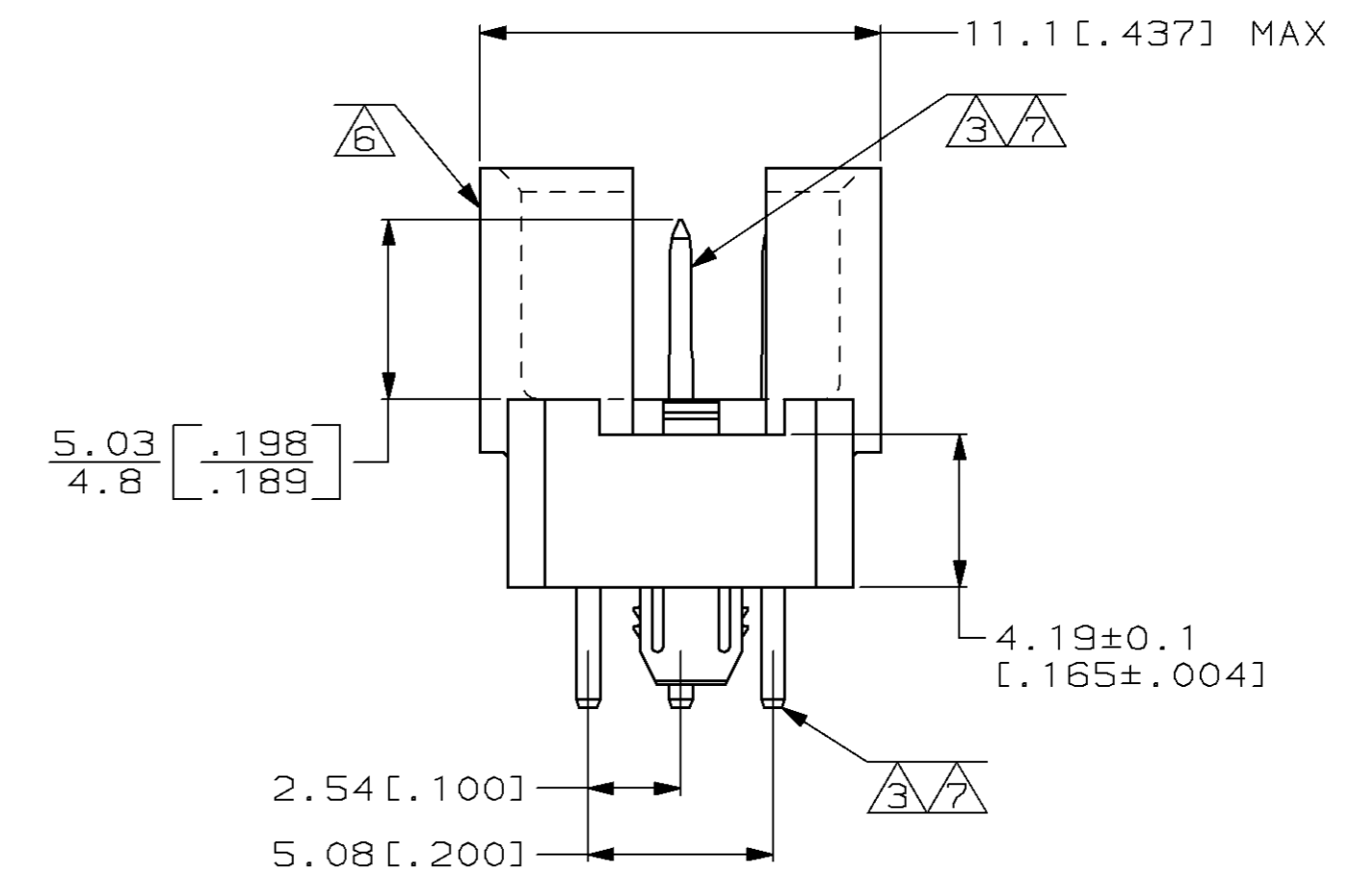
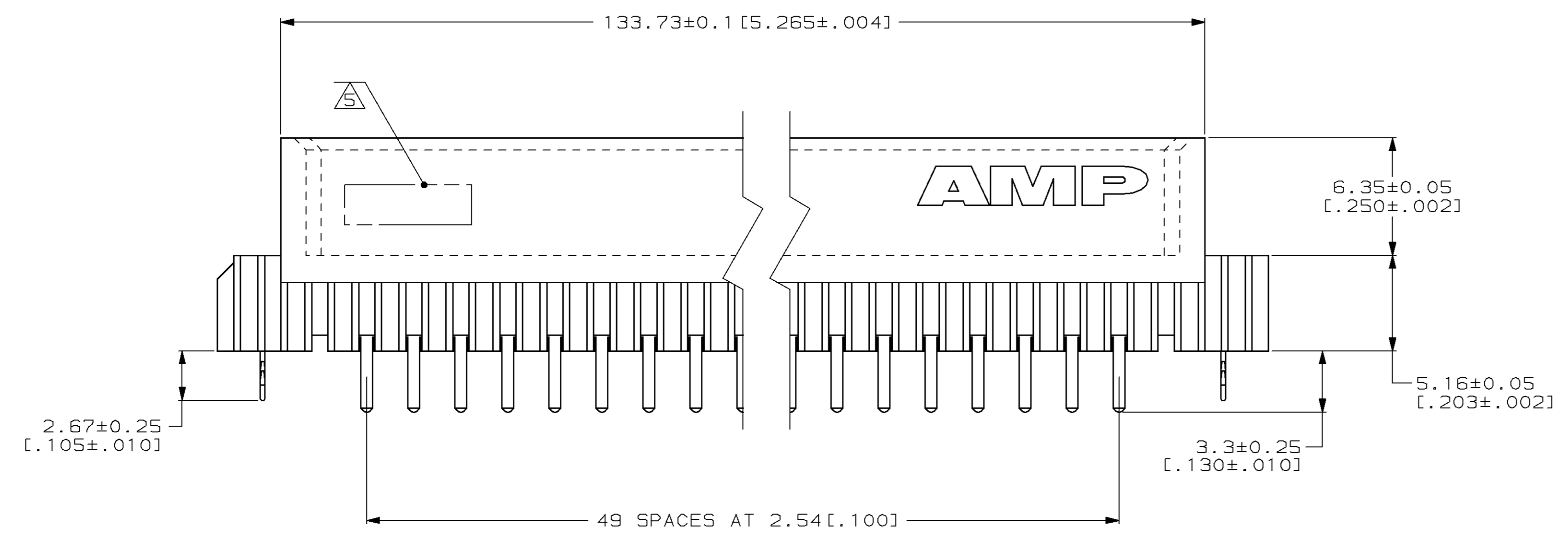
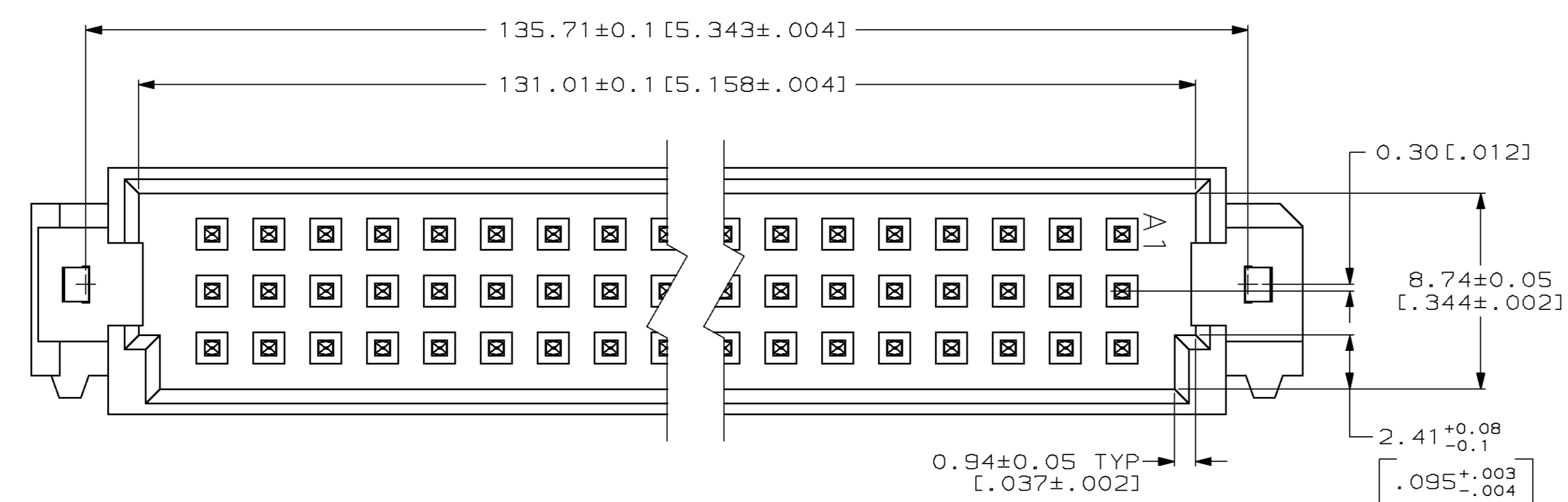


LOC		DIST		P		F		ZONE		LTR		REVISIONS			
AD	25											DESCRIPTION	DATE	APPD	
												A	EC 0504-0087-96	11/18/96	CR

- ① HOUSING MATERIAL: GLASS-FILLED POLYESTER. COLOR: GRAY.
- ② POST MATERIAL: BRASS.
- ③ POST FINISH: DIN 41612 CLASS 2 IN CONTACT AREA. TIN-LEAD PLATE ON POSTS.
- ④ RECOMMENDED HOLE SIZE FOR MANUAL APPLICATION OF CONNECTOR ONTO PC BOARD.
- ⑤ [PART NUMBER, DATE CODE] MARKED THIS APPROXIMATE AREA.
- ⑥ MARKING ON THIS SIDE.
- ⑦ POST FINISH: DIN 41612 CLASS 3 IN CONTACT AREA. TIN-LEAD PLATE ON POSTS.



SUPERSEDED BY 536427-5

REV	DESCRIPTION	DATE	BY	CHK	APPD	NO. OF LOADED POSITION	ASSY PART NUMBER
1		11/21/92	L. BRINER	R. PATTERSON	D.C. RUBENDALL	150	536427-9
2		12/11/92	R. PATTERSON	R. PATTERSON	D.C. RUBENDALL	150	536427-5

DO NOT SCALE PRINT. UNLESS SPECIFIED DIMENSIONS IN mm [INCHES]		PART NO	
DR	L. BRINER 11/21/92	AMP Incorporated Harrisburg, PA 17105-3608	
CHK	R. PATTERSON 12/11/92	NAME	
APPD	D.C. RUBENDALL 12/11/92	PIN ASSEMBLY, EUROCARD, TYPE "R" WITH BOARD-LOCKS	
MATERIAL	HSG: ① - POST: ② - FINISH: ③④ -	APPLICATION SPEC	PRODUCT SPEC
SIZE	D 00779	CAGE CODE	DRAWING NO
SCALE	5:1		⑤-536427
WEIGHT	-	SHEET	1 OF 1

THIS DRAWING IS A CONTROLLED DOCUMENT FOR AMP INCORPORATED. IT IS SUBJECT TO CHANGE AND THE CONTROLLING ENGINEERING ORGANIZATION SHOULD BE CONTACTED FOR THE LATEST REVISION.

单击下面可查看定价，库存，交付和生命周期等信息

[>>TE Connectivity\(泰科\)](#)