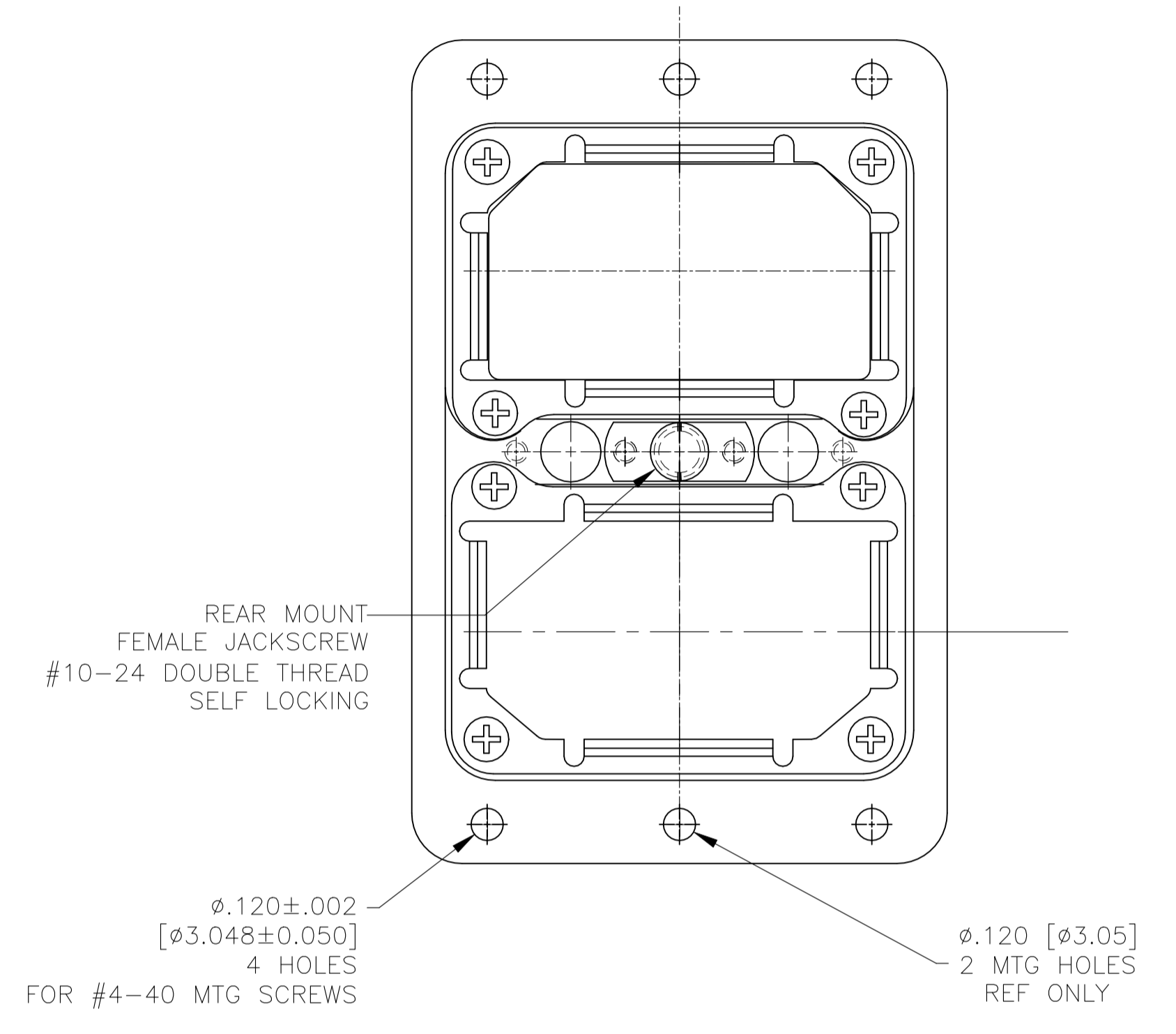
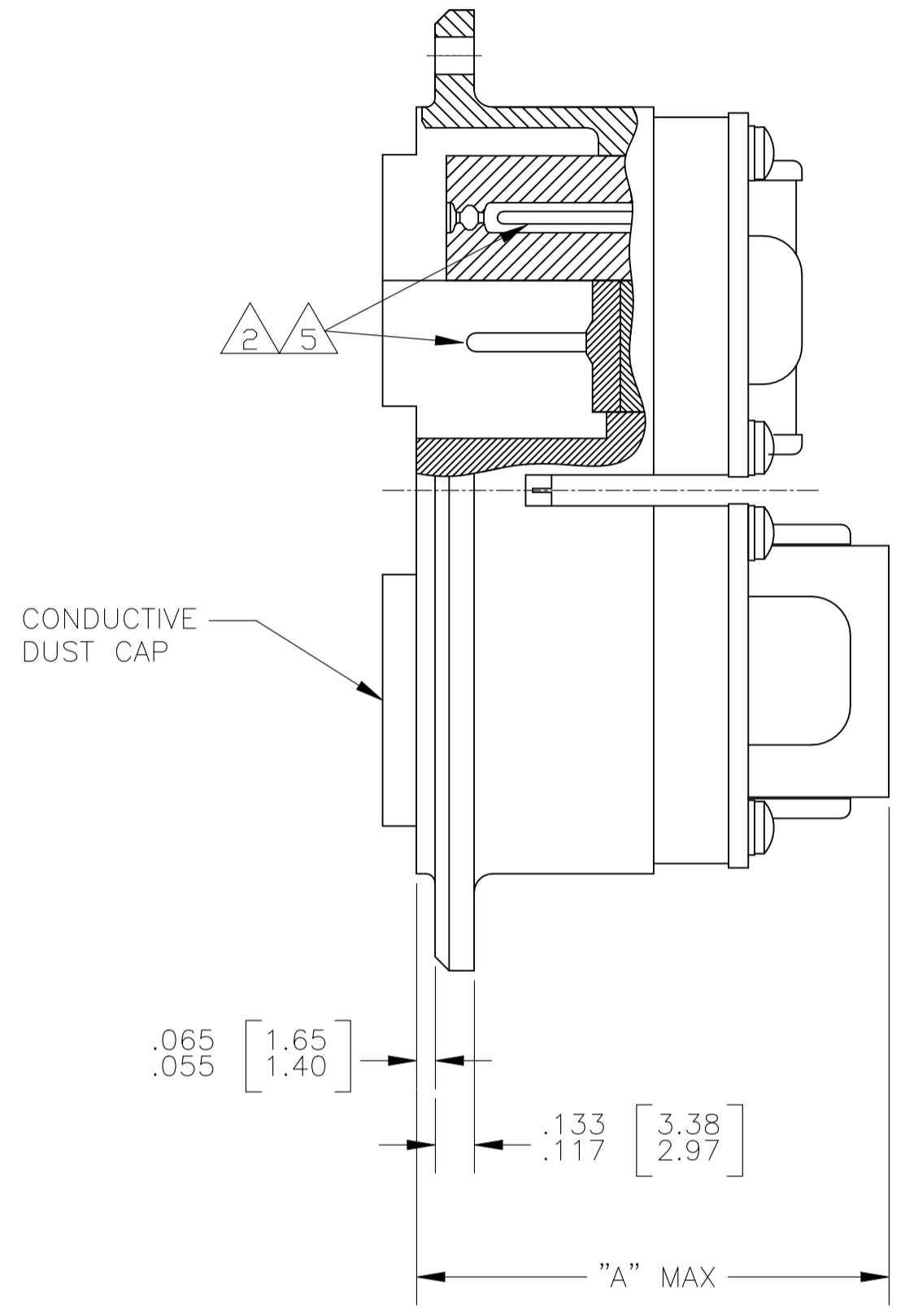
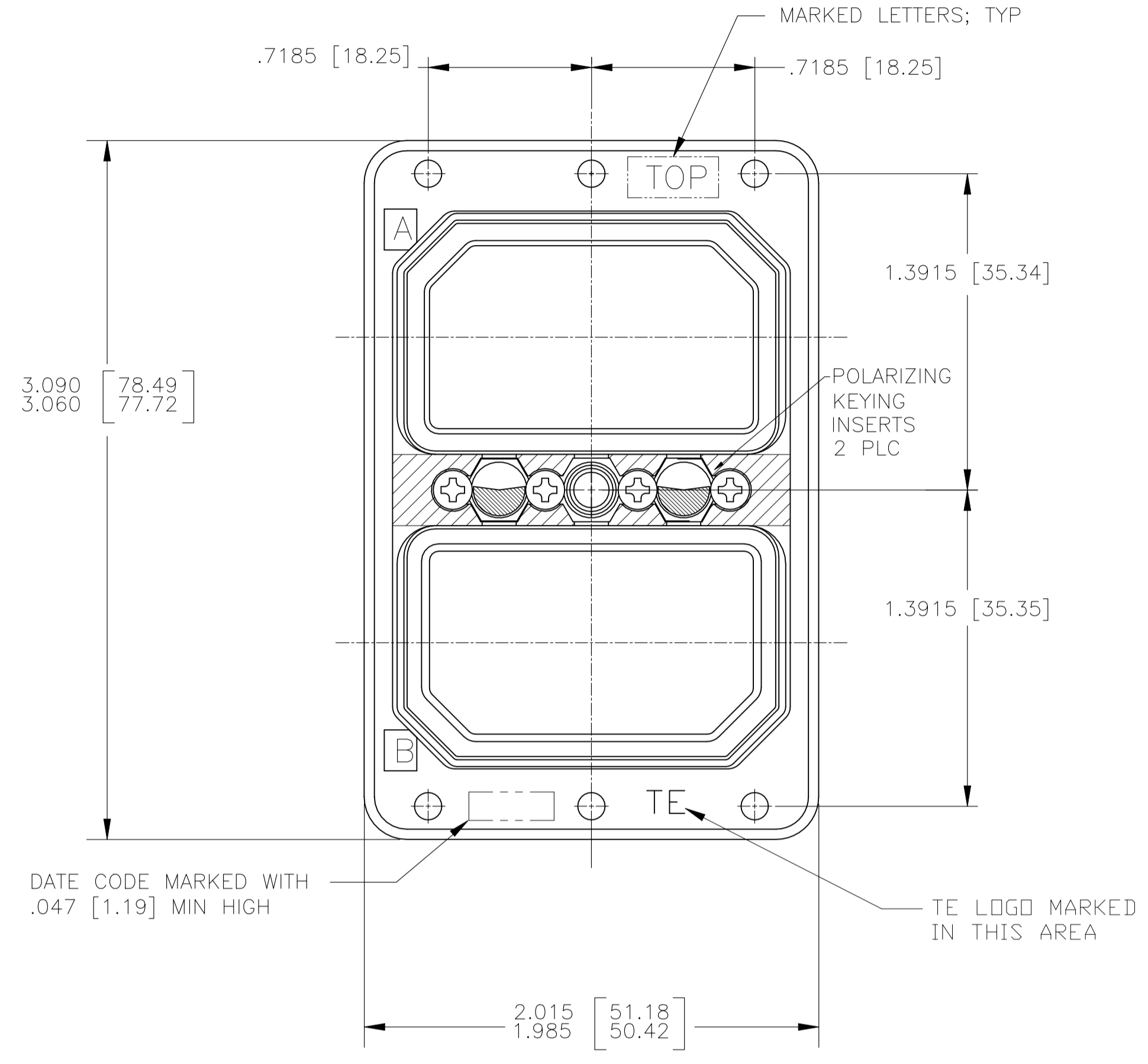
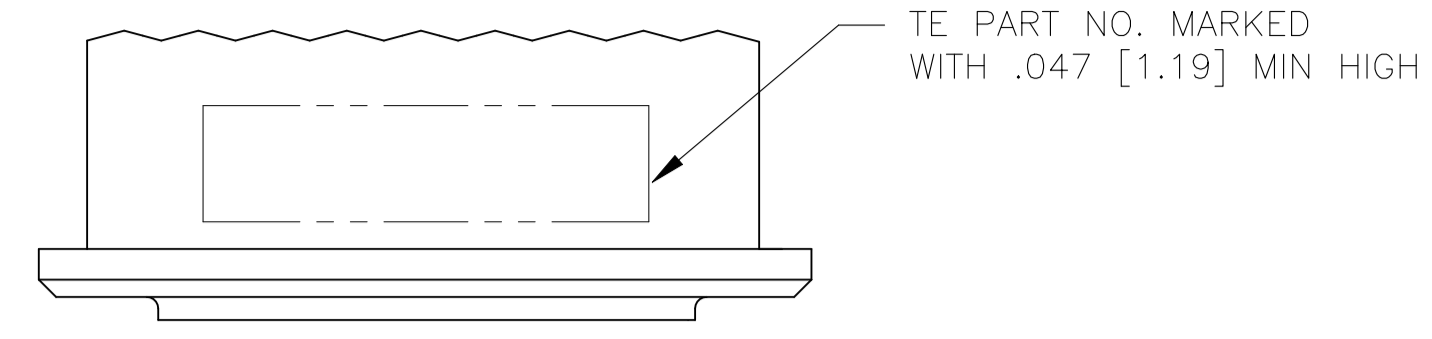


REVISIONS					
P	LTR	DESCRIPTION	DATE	DN	APVD
Y		REVISED PER ECO-21-006554	6-14-21	CT	RL



- MATERIAL AND FINISH
SHELL: DIE CAST ALUM. ALLOY PER FED SPEC QQ-A-591 OR ASTM B211 6061/6511 OR ASTM B209 2024-T4/T351.
FINISH: TYPE II CADMIUM PLATE (YELLOW) PER QQ-P-416
INSULATOR HARD: EPOXY PER MIL-M-24325; SOFT: SILICONE RUBBER
GROMMET PROTECTORS: ALUM. ALLOY, FINISH: BLUE EPOXY
POLARIZING KEYING INSERTS & SCREWS: STAINLESS STEEL
FEMALE JACKSCREW: STAINLESS STEEL
SCREWS & WASHERS: STEEL. FINISH: CAD, PLATED PER QQ-P-416
DUST CAPS: CONDUCTIVE BLACK THERMOPLASTIC

- CONTACTS SHOWN IN POSITION FOR ILLUSTRATION ONLY, ARE INCLUDED IN A CONTAINER WITHIN CONNECTOR PACKAGE FOR SHIPMENT, EXCEPT P/N'S 1-207595-2 THRU 2-207595-1
- CONNECTOR MEETS AMP PRODUCT SPEC 108-10, 019
- COAX CONTACTS & SEALING BOOTS MUST BE ORDERED SEPARATELY

- ALL METRIC DIMENSIONS ARE SHOWN IN PARENTHESIS
- FOR MATING CONNECTOR SEE 207596
- CONNECTORS ORDERED LESS CONTACTS WILL BE MARKED WITH SAME P/N AS CONNECTORS ORDERED WITH CONTACTS

	INSERT ARRANGEMENT			
	26	32C2	67	106
"A" MAX	1.525 [38.74]	1.700 [43.18]	1.525 [38.74]	1.279 [32.49]

PART NO.	ARRANGEMENT		PART NO. ⁸ LESS CONTACTS		
	MODULE A	MODULE B			
207595-1	106P	67S	1-207595-2	OBSOLETE	
207595-2	106P	26S	1-207595-3	OBSOLETE	
OBSOLETE	207595-3	106P	106P	1-207595-4	OBSOLETE
OBSOLETE	207595-4	106P	106S	1-207595-5	OBSOLETE
	207595-5	106S	106S	1-207595-6	OBSOLETE
OBSOLETE	207595-6	106S	26P	1-207595-7	OBSOLETE
OBSOLETE	207595-7	106S	67P	1-207595-8	OBSOLETE
OBSOLETE	207595-8	67S	67S	1-207595-9	OBSOLETE
	207595-9	106S	32C2P	2-207595-0	OBSOLETE
OBSOLETE	1-207595-0	106P	32C2S	2-207595-1	OBSOLETE
OBSOLETE	1-207595-1	NO INSERT	NO INSERT	-	

THIS DRAWING IS A CONTROLLED DOCUMENT.

DIN C.C.THOMAS 21MAR02
CHK J.MARKEY 3-25-02
APVD J.MARKEY 3-29-02

TE Connectivity

RECEPTACLE CONNECTOR INSTALLATION (WITH CENTER FEMALE JACKSCREW)

SIZE: A1 CAGE CODE: 00779 DRAWING NO: 207595
WEIGHT: 0.000000

CUSTOMER DRAWING SCALE: 2:1 SHEET: 1 of 1 REV: Y

单击下面可查看定价，库存，交付和生命周期等信息

[>>TE Connectivity\(泰科\)](#)