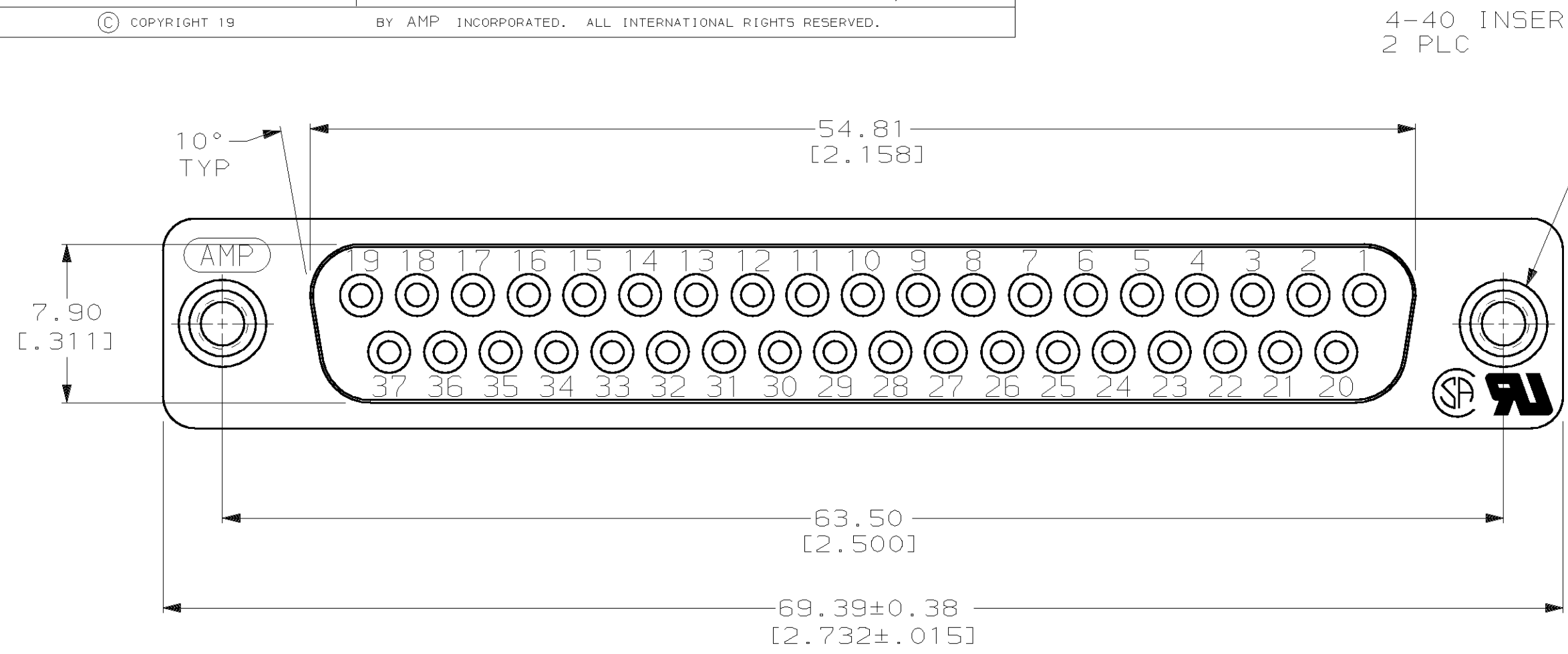
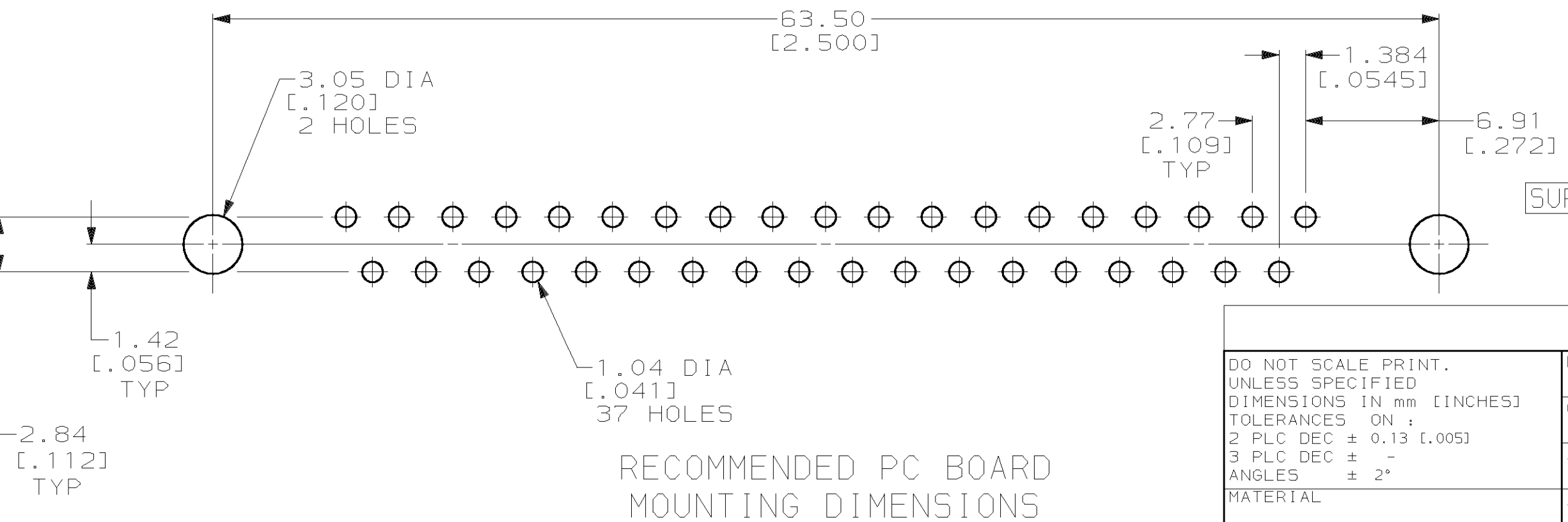
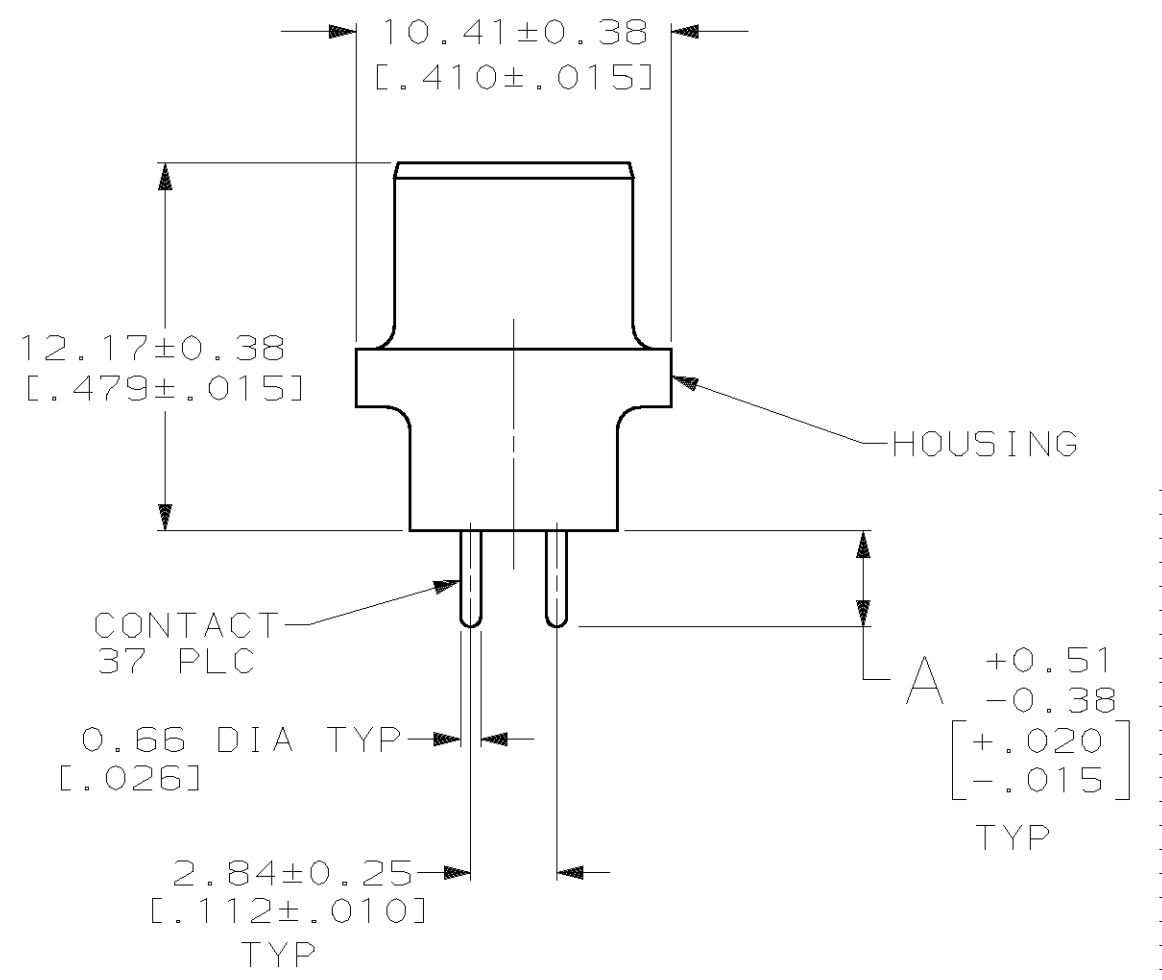
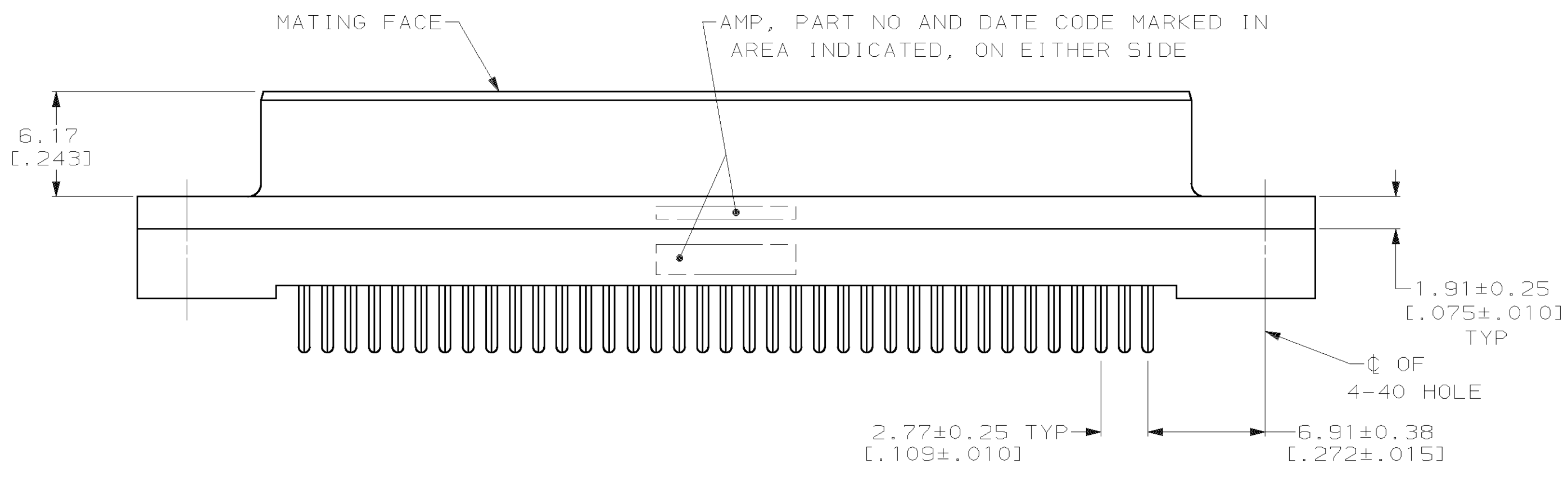


THIS DRAWING IS UNPUBLISHED. RELEASED FOR PUBLICATION .19
 © COPYRIGHT 19 BY AMP INCORPORATED. ALL INTERNATIONAL RIGHTS RESERVED.

LOC		DIST		P		F		REVISIONS			
ZONE	LTR	DESCRIPTION	DATE	APPD							
BD	77							C	REDRAWN & REVISED, ECN BD3361	11-89	SS
								D	OBS 745059-1 BD6038	06/09/92	CR
								E	SUPSD-5 & OBS-7 PER EC 0020-964-93	04/11/94	CR
								F	OBS -3, -6 AND REV PER OU1D-0126-00	01 NOV 00	RF



- ① HOUSING: BLACK POLYESTER, UL 94V-0 RATED; CONTACTS: PHOSPHOR BRONZE PER QQ-B-750; INSERTS: BRASS PER QQ-B-626.
- ② GOLD PLATING PER MIL-G-45204, TIN PLATING PER MIL-T-10727, NICKEL PLATING PER QQ-N-290.
- ③ GOLD FLASH FOR A LENGTH OF 2.54[.100] MIN FROM MATING END, 2.54µm[.000100] MIN TIN OR TIN-LEAD FOR A LENGTH OF DIMENSION A FROM OPPOSITE END, ALL OVER 1.27µm[.000050] MIN NICKEL.
- ④ 0.76µm[.000030] MIN GOLD FOR A LENGTH OF 2.54[.100] MIN FROM MATING END, 2.54µm[.000100] MIN TIN OR TIN-LEAD FOR A LENGTH OF DIMENSION A FROM OPPOSITE END, ALL OVER 1.27µm[.000050] MIN NICKEL.



STATUS	DATE	DESCRIPTION	APPD	PART NO
OBSOLETE	6.35 [0.250]	④		745059-8
OBSOLETE	6.35 [0.250]	③		745059-7
OBSOLETE	4.32 [0.170]	④		745059-6
SUPERSEDED BY 745059-6	4.32 [0.170]	③		745059-5
	3.18 [0.125]	④		745059-4
OBSOLETE	3.18 [0.125]	③		745059-3
OBSOLETE	3.56 [0.140]	③		745059-1

DO NOT SCALE PRINT. UNLESS SPECIFIED DIMENSIONS IN mm [INCHES] TOLERANCES ON: 2 PLC DEC ± 0.13 [0.005] 3 PLC DEC ± - ANGLES ± 2°		DR 11-15-89 J McCLINTON		AMP INCORPORATED Harrisburg, Pa. 17105	
MATERIAL		CHK 2-1-90 R. STONE			
FINISH ② CONTACT: SEE TABLE		APPD 2-2-90 S. SCHIEFERLY		NAME RECEPTACLE ASSEMBLY, SIZE 4, 37 POSN, VERTICAL, AMPLIMITE® HD-20	
①		APPD 2-2-90 C. ROHDE		SIZE C 00779	
		PRODUCT SPEC 108-40025		DRAWING NO 745059	
		APPLICATION SPEC -		CAGE CODE 00779	
		WEIGHT -		SCALE 4:1	
				SHEET 1 OF 1	

单击下面可查看定价，库存，交付和生命周期等信息

[>>TE Connectivity\(泰科\)](#)