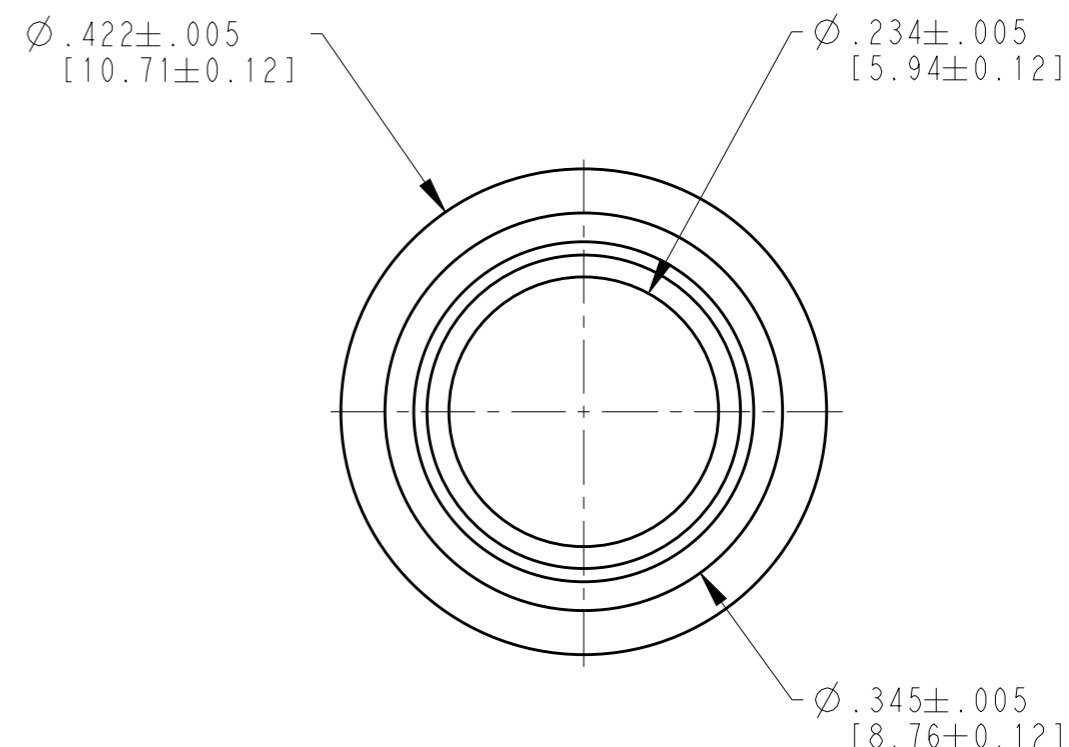
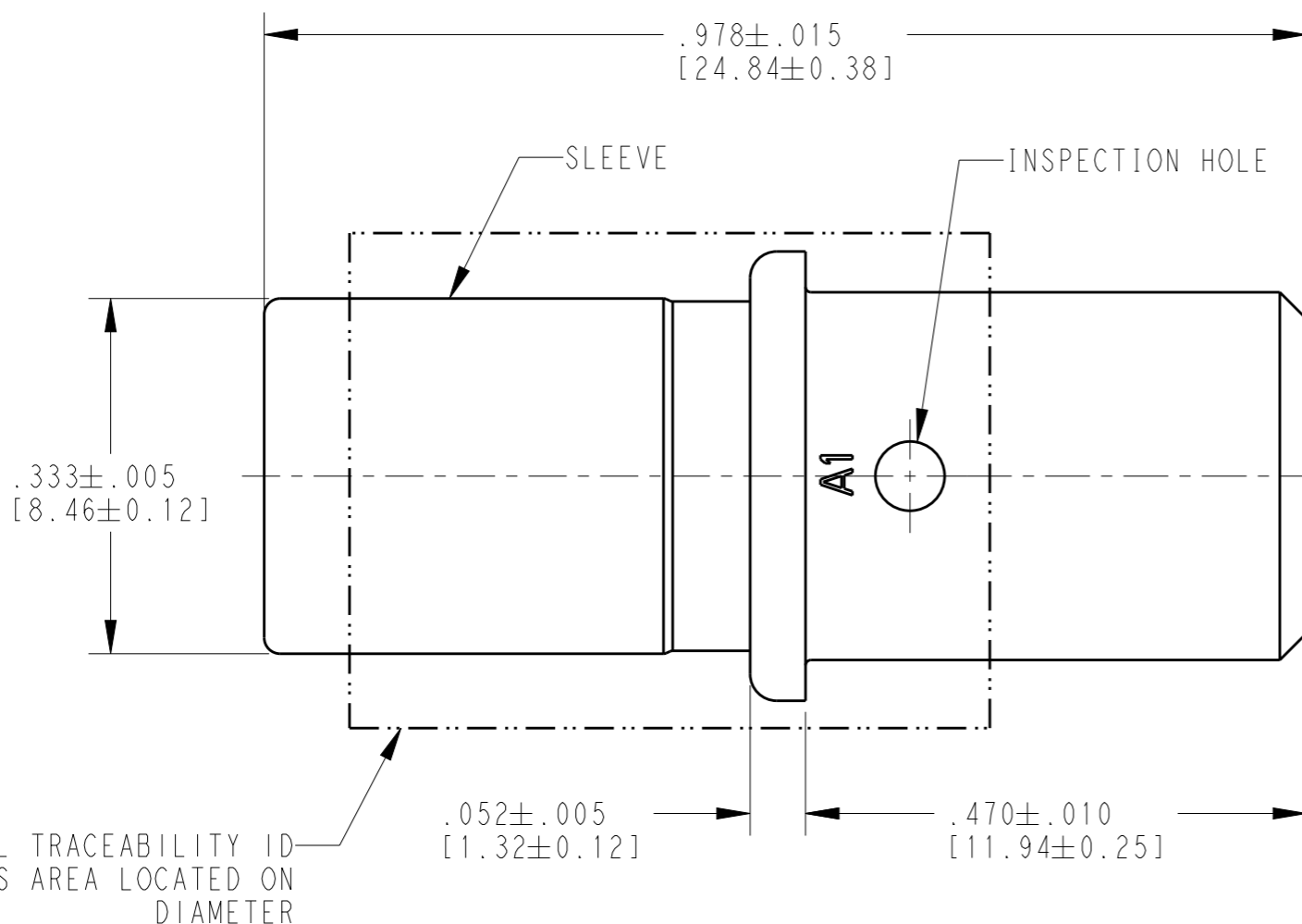


REVISIONS

P	LTR	DESCRIPTION	DATE	DWN	APVD
	NC	NEW RELEASE PER E.O. P17008	19DEC2000	DM	RDR
	A	REVISED PER PCN E-18-012207	31JUL2018	JA	DM
	A1	REVISED PER PCN E-19-018080	19NOV2019	MK	DM



OPTIONAL TRACEABILITY ID IN THIS AREA LOCATED ON DIAMETER

TE INTERNAL PN	DEUTSCH PN	PLATING
0462-203-04141	0462-203-04141	NICKEL

- (A1) 2. SEE APPLICATION SPECIFICATION 114-151004 FOR CRIMP TOOLS AND WIRE RANGE
- (A1) 1. DELETED.

NOTES: UNLESS OTHERWISE SPECIFIED

THIS DRAWING IS A CONTROLLED DOCUMENT.		DWN D. MEYER 29NOV2000	<b>STE</b> TE Connectivity	
DIMENSIONS: INCHES [mm]		CHK B. BYFORD 18DEC2000		
TOLERANCES UNLESS OTHERWISE SPECIFIED:		APVD D. MEYER 09JAN2001	NAME SOCKET, SOLID SIZE 4, 6 AWG	
0 PLC ±		PRODUCT SPEC 108-151004	SIZE A3	
1 PLC ±		APPLICATION SPEC 114-151004	CAGE CODE 4AFU8	DRAWING NO 0462-203-04XX
2 PLC ±		WEIGHT 7.48g	RESTRICTED TO -	
3 PLC ±		CUSTOMER DRAWING	SCALE 6:1	SHEET 1 OF 1
4 PLC ±			REV A1	
ANGLES ±				
FINISH				
MATERIAL				

单击下面可查看定价，库存，交付和生命周期等信息

[>>TE Connectivity\(泰科\)](#)