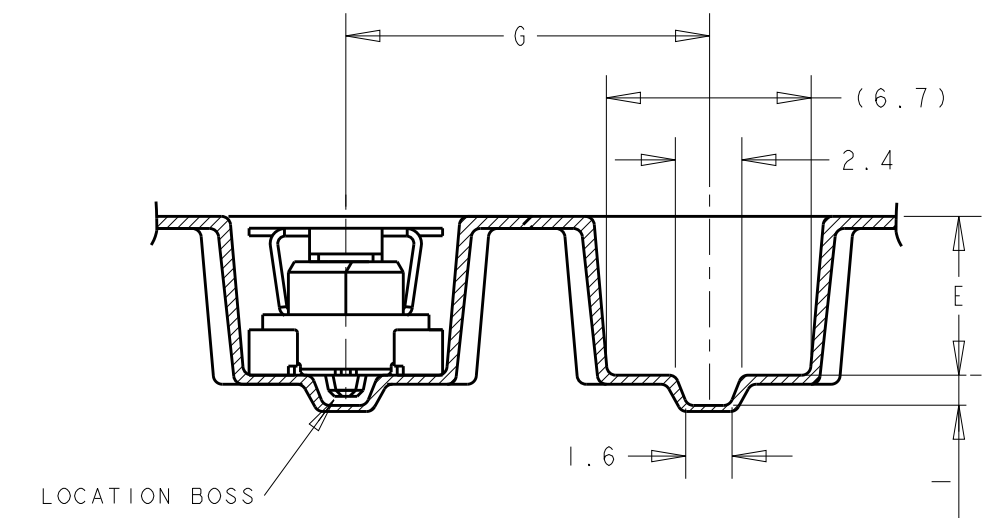
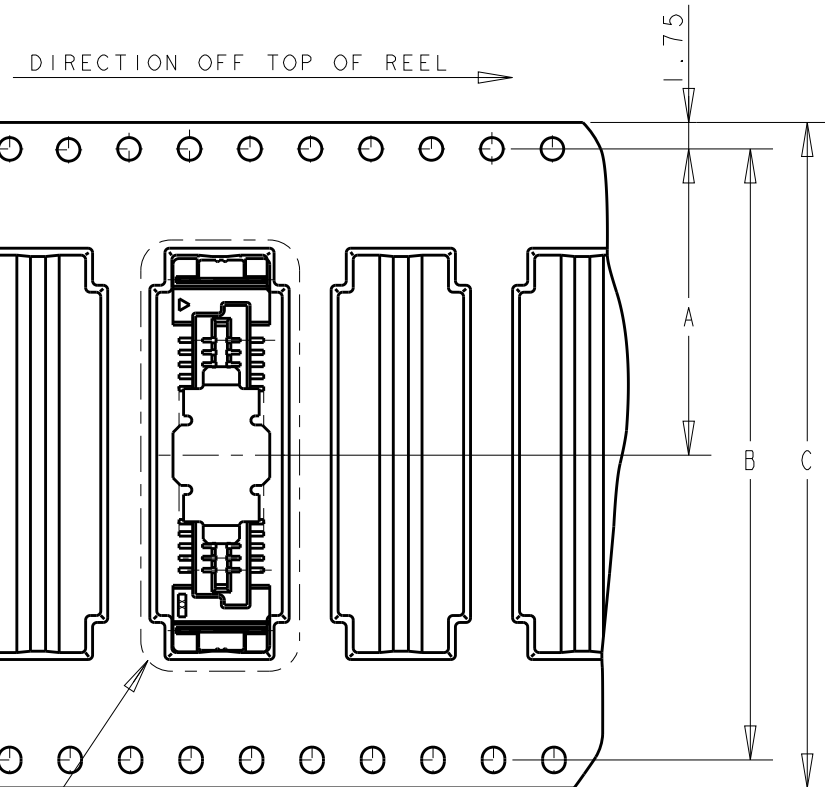


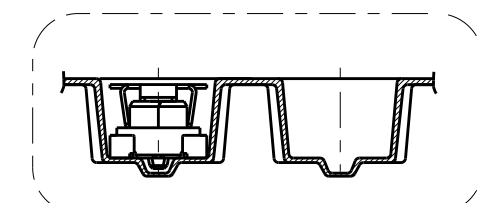
THIS DRAWING IS UNPUBLISHED. RELEASED FOR PUBLICATION .19
 © COPYRIGHT 19 BY AMP INCORPORATED. ALL RIGHTS RESERVED.

LOC	DIST	REVISIONS					
		P	LTR	DESCRIPTION	DATE	DWN	APVD
DY	-		A	REVISED PER ECO-17-018857	25DEC2017	R.L	H.L

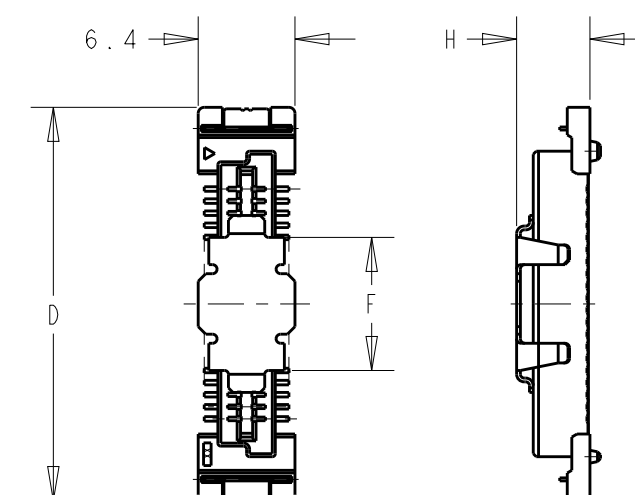


DETAIL A
(SCALE 4-1)

DETAIL B

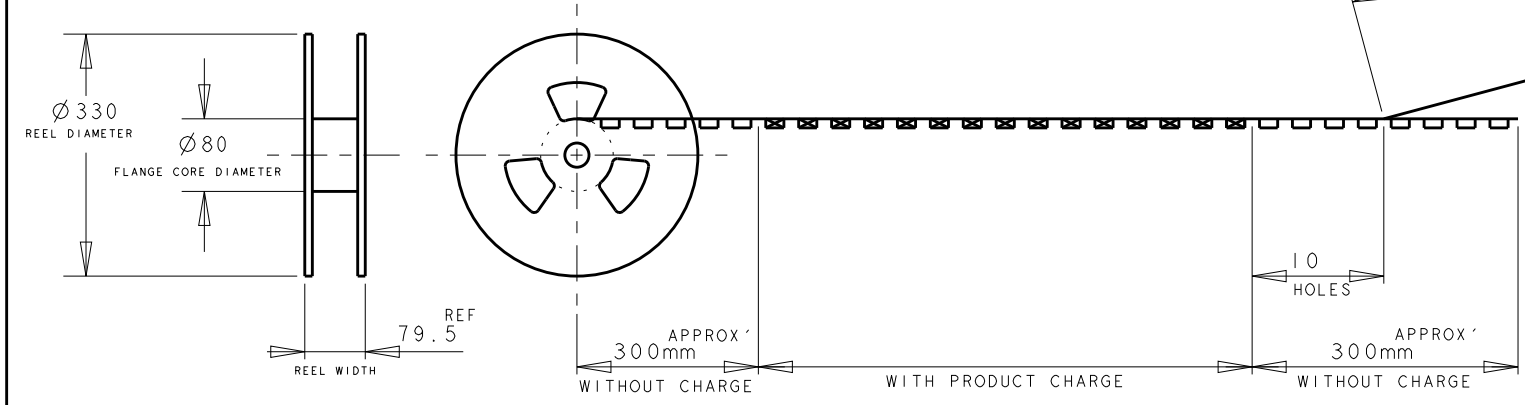


DETAIL A



DETAIL B

WEEDING THE COVER TAPE AROUND THE OUTER PERIPHERY IN A TURN.

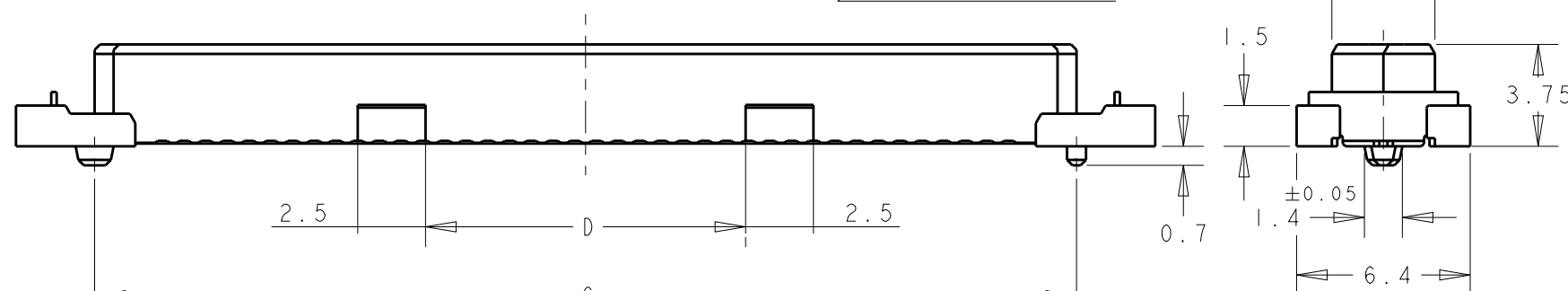
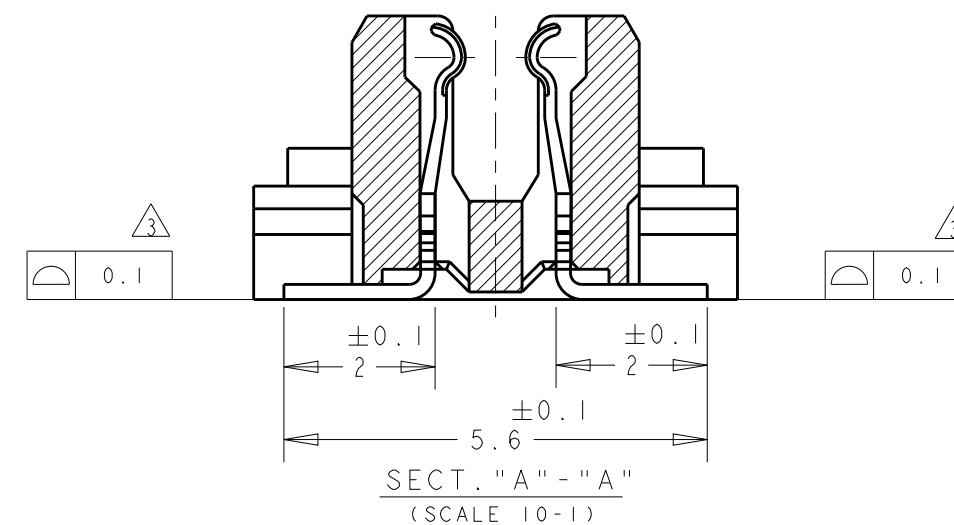
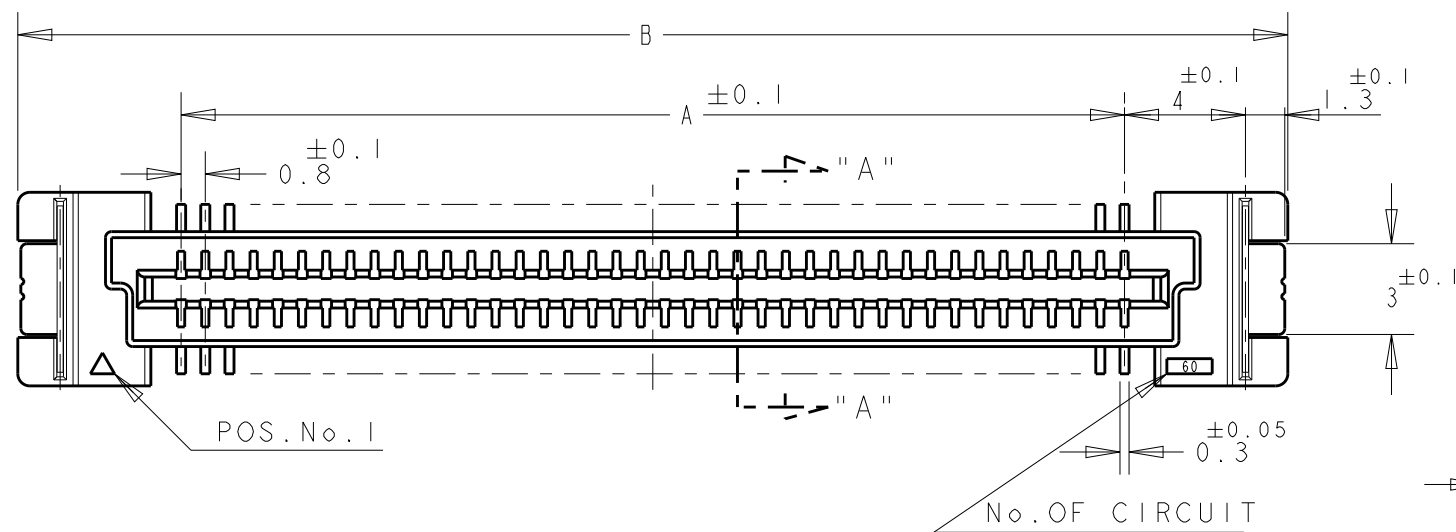


700	4	16	17	4.4	50	72	68.4	34.2	120	-5
4.85	12	8.8	5.25	42	56	52.4	26.2	80	-4	
4.85	12	8.8	5.25	26	44	40.4	20.2	60	-3	
900	4.85	12	8.8	5.25	26	44	40.4	20.2	40	-2
										5179160-1
QYT	H	G	F	E	D	C	B	A	POS	PART NO.

NOTE:
 1. THIS ITEM IS PRELIMINARY.
 2. THIS PRODUCT WAS COATED BY FLUX-PENETRATION -INHIBITING AGENT.

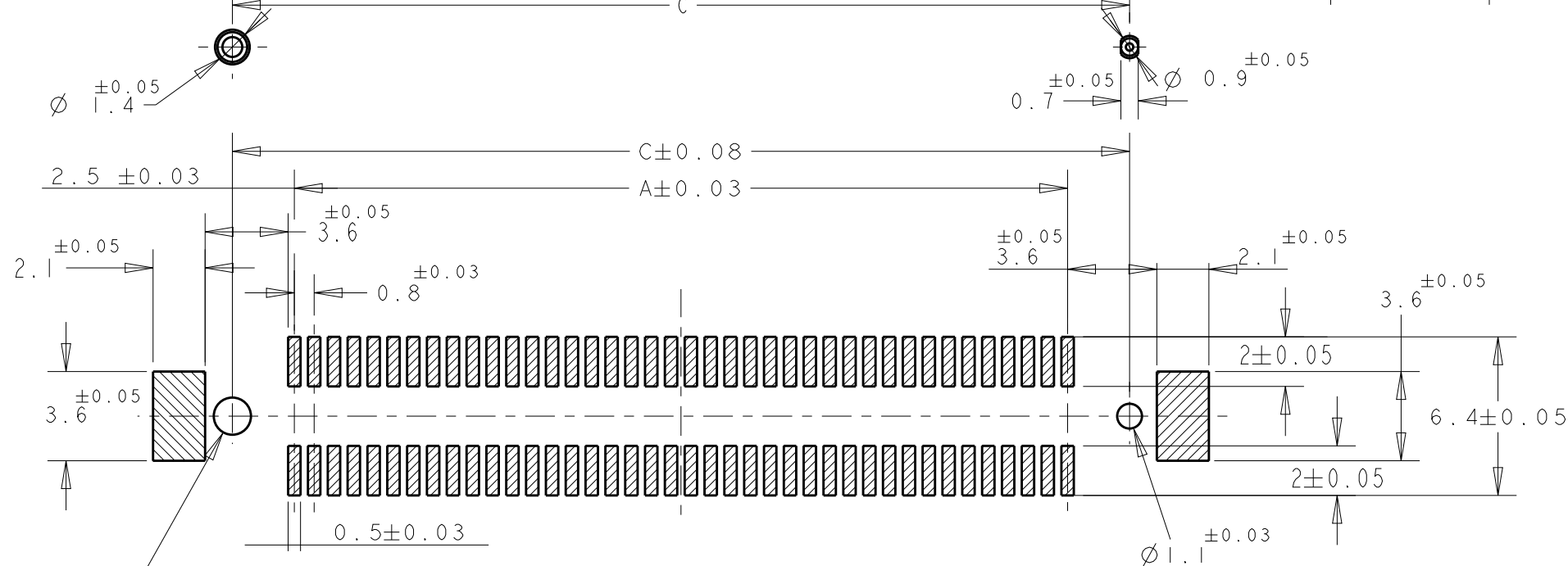
Ⓐ ADD CONNECTOR INFORMATION SHEET

THIS DRAWING IS A CONTROLLED DOCUMENT FOR AMP INCORPORATED. IT IS SUBJECT TO CHANGE AND THE CONTROLLING ENGINEERING ORGANIZATION SHOULD BE CONTACTED FOR THE LATEST REVISION.		DWN WYLEE 01NOV2004	AMP Tyco Electronics Singapore Pte. Ltd.
DIMENSIONS: mm		CHK VINCENT TAN	
TOLERANCES UNLESS OTHERWISE SPECIFIED: 0 PLC ±.3 1 PLC ±0.3 2 PLC ±0.25 3 PLC ±0.2 4 PLC ±.3 ANGLES ±3°		APVD ERIC ING	NAME REC ASS'Y WITH SOLDER PEG FH 0.8mm B-T-B CONN.
MATERIAL	FINISH	PRODUCT SPEC	SIZE A3
		APPLICATION SPEC	CAGE CODE 00779
		WEIGHT	DRAWING NO 5179160
CUSTOMER DRAWING			SCALE - SHEET 1 OF 2 REV A



NOTES:

- ① MATERIAL; HOUSING: L.C.P. (HIGH TEMP THERMO PLASTIC)
UL 94V-0, NATURAL.
CONTACT : BERYLIUM COPPER.
SOLDER PEG: BRASS.
- ② FINISH: CONTACT AREA: 0.0002 MIN GOLD ON
0.0013 MIN ALL OVER NICKEL.
SOLDERING AREA: 0.001 MIN MATTE-TIN.
- ③ TINE AND MOUNT METAL HEIGHT SHALL BE 0.1 MAX.
- 4 PRODUCT SPEC: 108-5390



RECOMMENDED P.C. BOARD LAYOUT

12	52.2	58.0	47.2	120	-5
12	44.2	50.0	39.2	100	-4
5	36.2	42.0	31.2	80	-3
5	28.2	34.0	23.2	60	-2
5	20.2	26.0	15.2	40	5179160-1
D	C	B	A	POS.	P/N

THIS DRAWING IS A CONTROLLED DOCUMENT FOR AMP INCORPORATED. IT IS SUBJECT TO CHANGE AND THE CONTROLLING ENGINEERING ORGANIZATION SHOULD BE CONTACTED FOR THE LATEST REVISION.		DWN WYLEE 01NOV2004	AMP Tyco Electronics Singapore Pte. Ltd.
DIMENSIONS: mm		CHK VINCENT TAN	
TOLERANCES UNLESS OTHERWISE SPECIFIED: 0 PLC ±.3 1 PLC ±0.3 2 PLC ±0.25 3 PLC ±0.2 4 PLC ±.2 ANGLES ±3°		APVD ERIC ING	NAME REC ASS'Y WITH SOLDER PEG FH 0.8mm B-T-B CONN.
MATERIAL -		PRODUCT SPEC -	SIZE A3
FINISH -		APPLICATION SPEC -	CAGE CODE 00779
CUSTOMER DRAWING		WEIGHT -	DRAWING NO 5179160
		SCALE -	SHEET 2 OF 2 REV A

单击下面可查看定价，库存，交付和生命周期等信息

[>>TE Connectivity\(泰科\)](#)