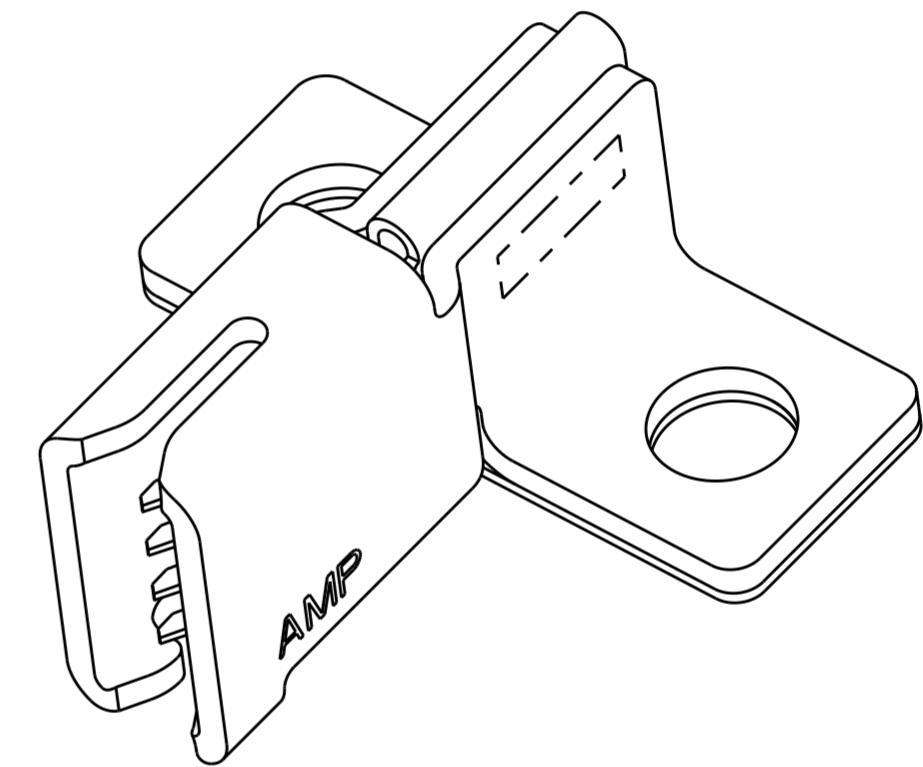
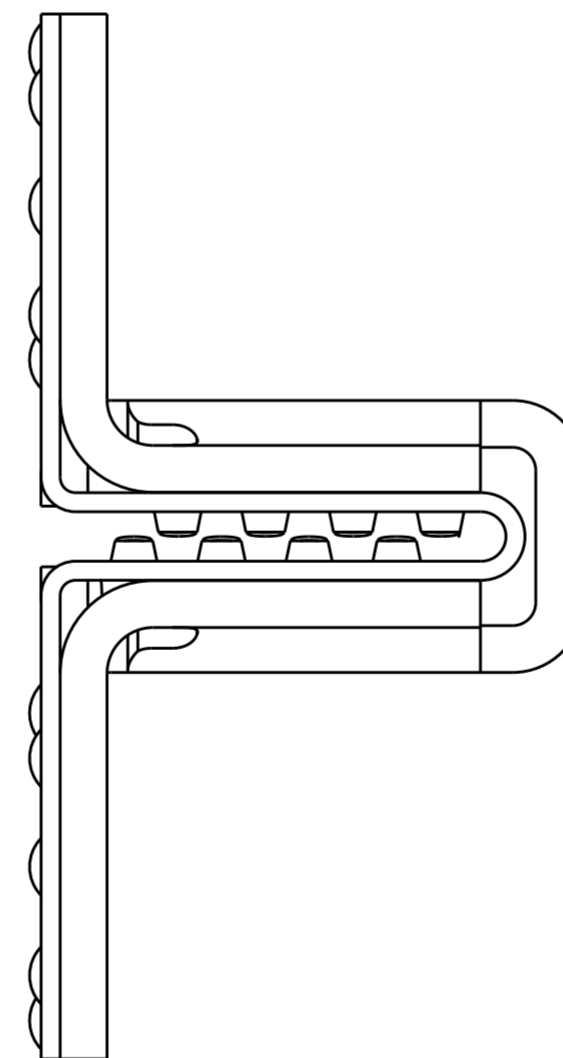
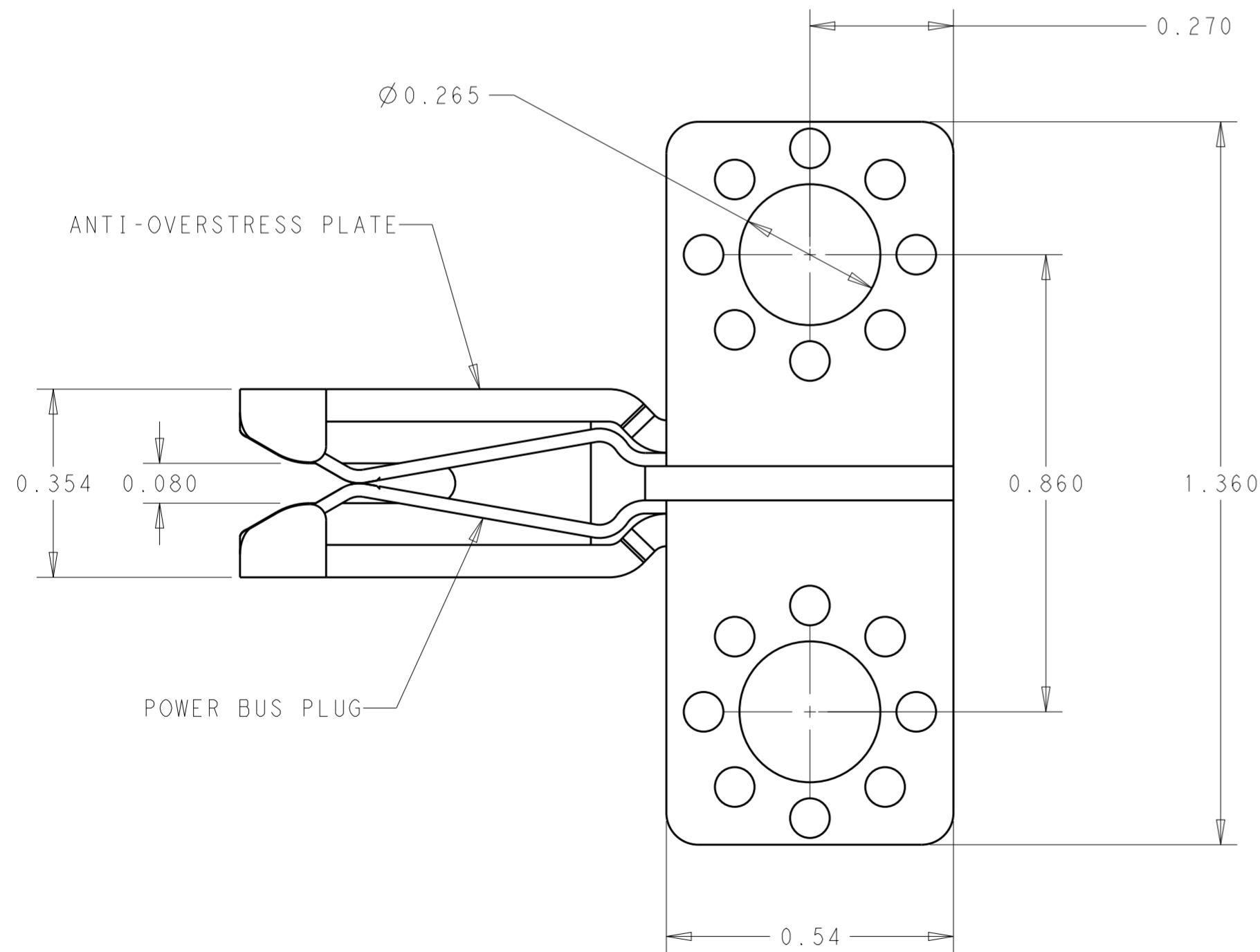
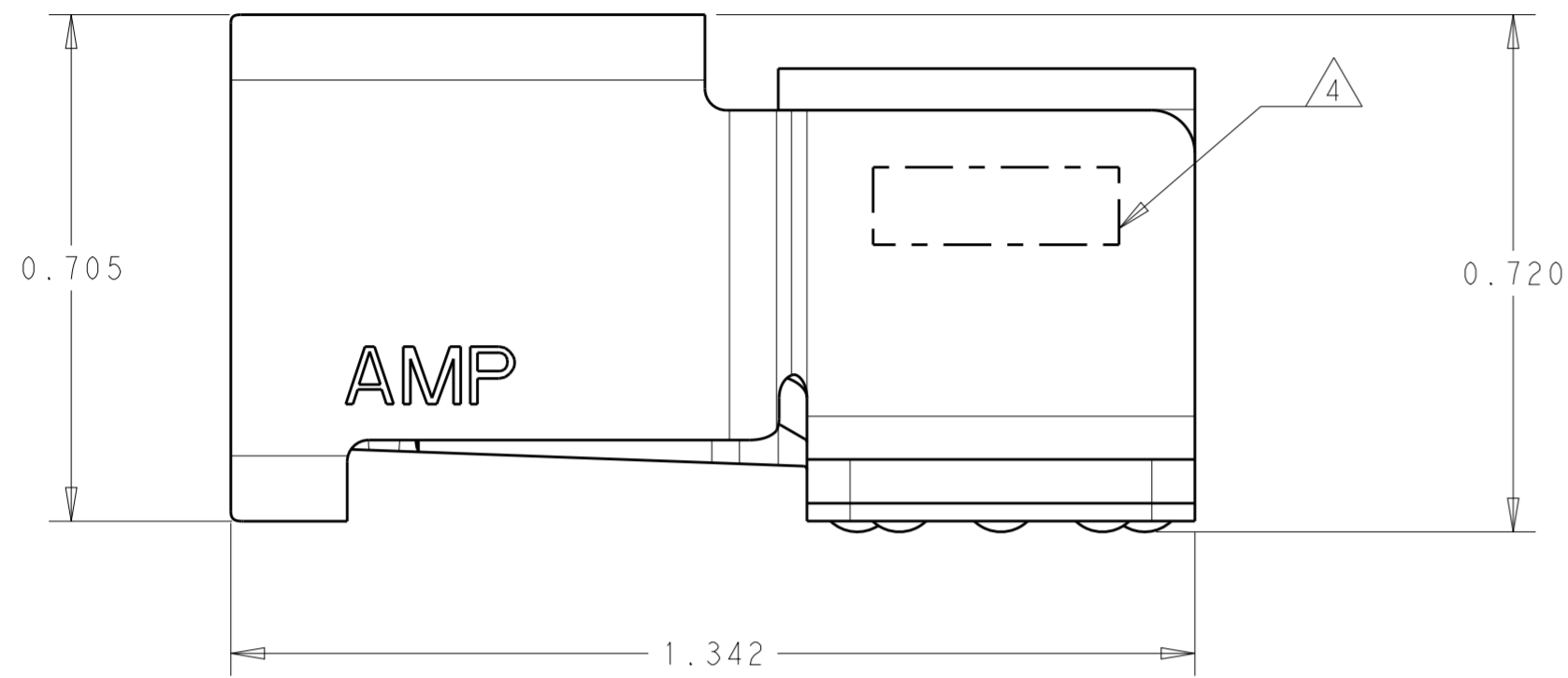


THIS DRAWING IS UNPUBLISHED. RELEASED FOR PUBLICATION 20
 © COPYRIGHT 20 BY - TE CONNECTIVITY ALL RIGHTS RESERVED.

REVISIONS					
P	LTR	DESCRIPTION	DATE	DWN	APVD
	F	REVISION PER B6648	APRIL1992	MX	MX
	F1	REV PER ECR-14-004488	25MAR2014	ML	SZ
	F2	REV PER ECR-14-012367	16AUG2014	ML	SZ

NOTES:

- PARTS SHOWN ASSEMBLED FOR REFERENCE ONLY.
- MATERIAL:
POWER CONTACT: COPPER ALLOY
ANTI-OVERSTRESS PLATE: STAINLESS STEEL.
- PLATING: SILVER PLATING OVER NICKEL UNDERPLATED THE POWER CONTACT.
- PRODUCT NUMBER AND DATE CODE
- ALL THE DIMENSIONS REFERENCE ONLY.



SCALE 4:1

THIS DRAWING IS A CONTROLLED DOCUMENT.		DWN MAC LIU 12NOV2013	104729-1		PLUGGABLE BUS BAR, 062 F SERIES		
DIMENSIONS: INCHES		CHK SUNY ZHAO 12NOV2013	PART NO		DESCRIPTION		
TOLERANCES UNLESS OTHERWISE SPECIFIED:		APVD -	-		-		
0 PLC ±		PRODUCT SPEC	-		-		
1 PLC ±0.1		108-1380	-		-		
2 PLC ±0.02		APPLICATION SPEC	-		-		
3 PLC ±0.005		114-2130	-		-		
4 PLC ±		WEIGHT	-		-		
ANGLES ±2°		Customer Drawing	-		-		
FINISH		SCALE 4:1	SHEET 1 OF 1		REV F2		
MATERIAL		-		-		-	

单击下面可查看定价，库存，交付和生命周期等信息

[>>TE Connectivity\(泰科\)](#)