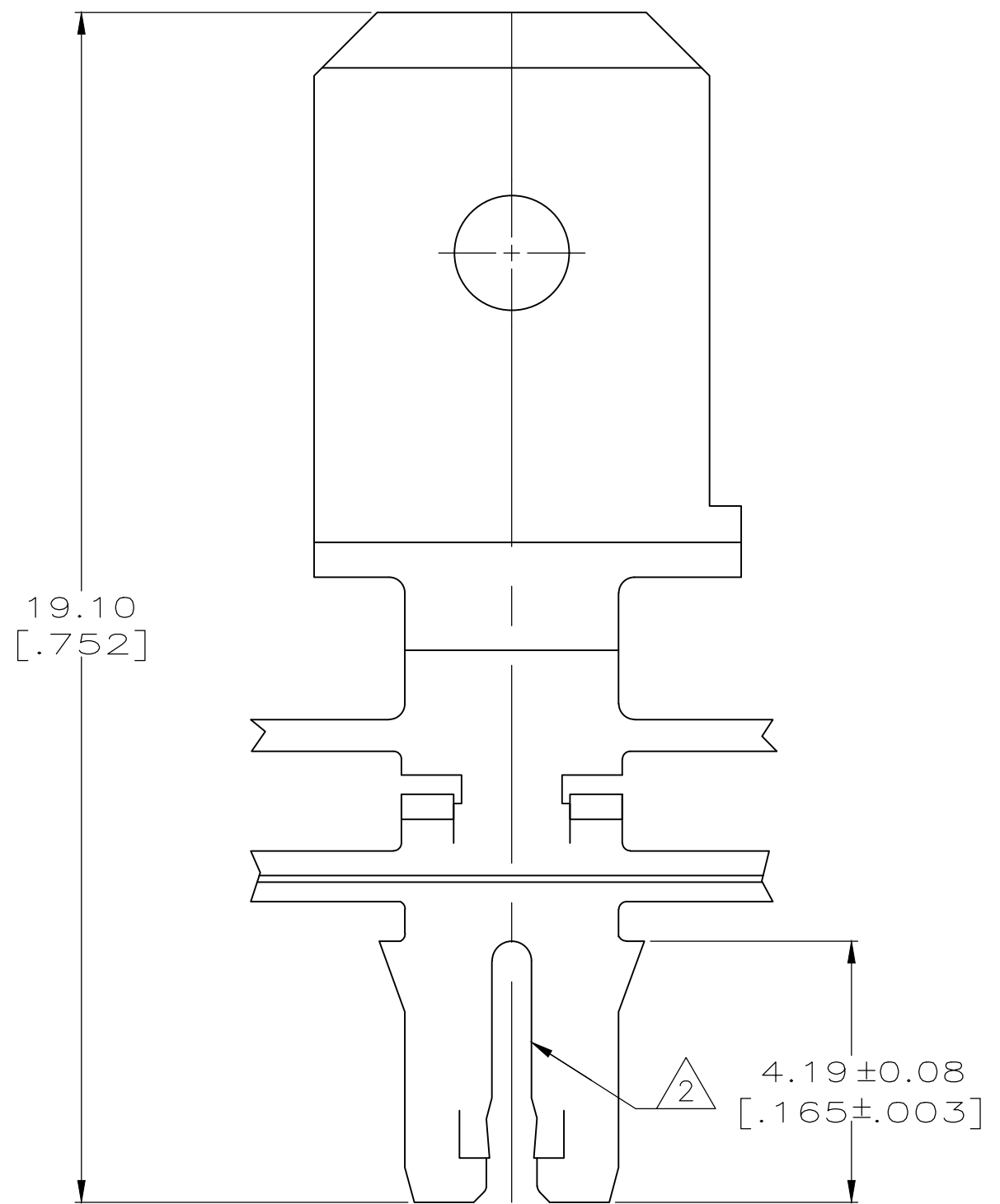
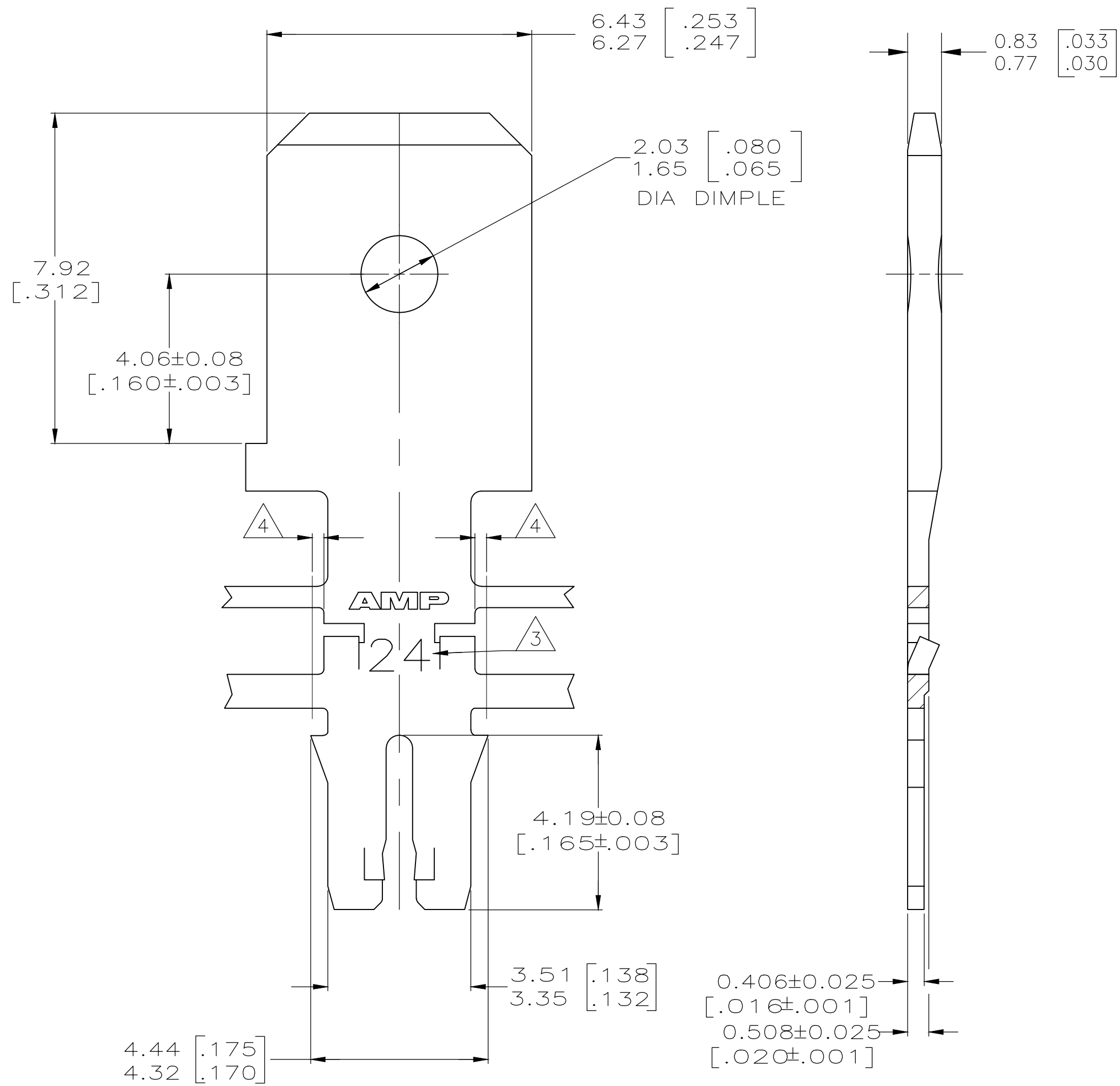


THIS DRAWING IS UNPUBLISHED. RELEASED FOR PUBLICATION  
 © COPYRIGHT - By - ALL RIGHTS RESERVED.

LOC	DIST	REVISIONS			
P	LTR	DESCRIPTION	DATE	DWN	APVD
AF	50	G3	REVISED PER ECR-18-014081	21SEP2018	BDA SV

- 1 CONTINUOUS STRIP ON REELS WITH TERMINALS  
LOCATED ON 8.38±0.08 [.330±.003] CENTERS
- 2 SLOT ACCEPTS 0.91-1.15mm [#19-#17] AWG COPPER MAGNET WIRE.  
ONE WIRE MAX PER SLOT
- 3 IDENTIFICATION NUMBER 24 FOR THE MAGNET WIRE SLOT SIZE
- 4 0.25[.010] MAX CARRIER CUT-OFF TABS



OBSOLETE	082 PRE-MILLED BRASS	63740-2
	<del>4M PRE-MILLED BRASS</del>	<del>63740-1</del>
MATERIAL		PART NUMBER

THIS DRAWING IS A CONTROLLED DOCUMENT.		DWN L.A.MAYER 9-1-93	<b>TE</b> TE Connectivity	
DIMENSIONS: INCHES		CHK M.S. FEHER 9-1-93		
TOLERANCES UNLESS OTHERWISE SPECIFIED:		APVD A.HUNT III 9-1-93	NAME	
0 PLC ± -	1 PLC ± -	PRODUCT SPEC	TAB, 6.35 [.250] FASTON,™	
2 PLC ± 0.13 [.005]	3 PLC ± -	APPLICATION SPEC	MAG-MATE™ Slim Line	
4 PLC ± -	ANGLES ± -	108-1484	SIZE	CAGE CODE
MATERIAL SEE TABLE	FINISH 0.002032 [.000080] MIN TIN PLATE	114-2140	A2	00779
CUSTOMER DRAWING		WEIGHT -	DRAWING NO	RESTRICTED TO
		SCALE 10:1	SHEET 1 OF 1	REV G3

单击下面可查看定价，库存，交付和生命周期等信息

[>>TE Connectivity\(泰科\)](#)