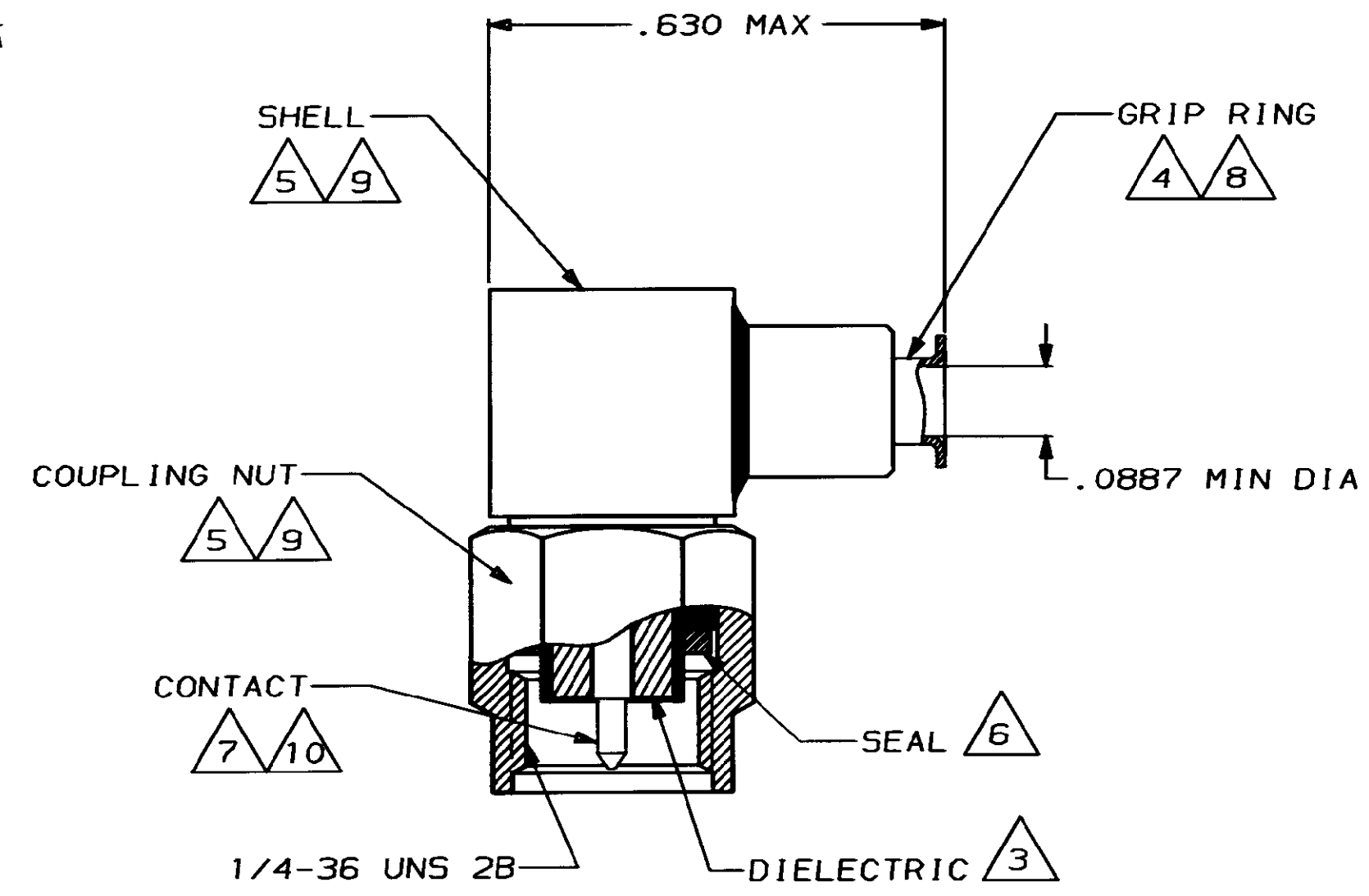
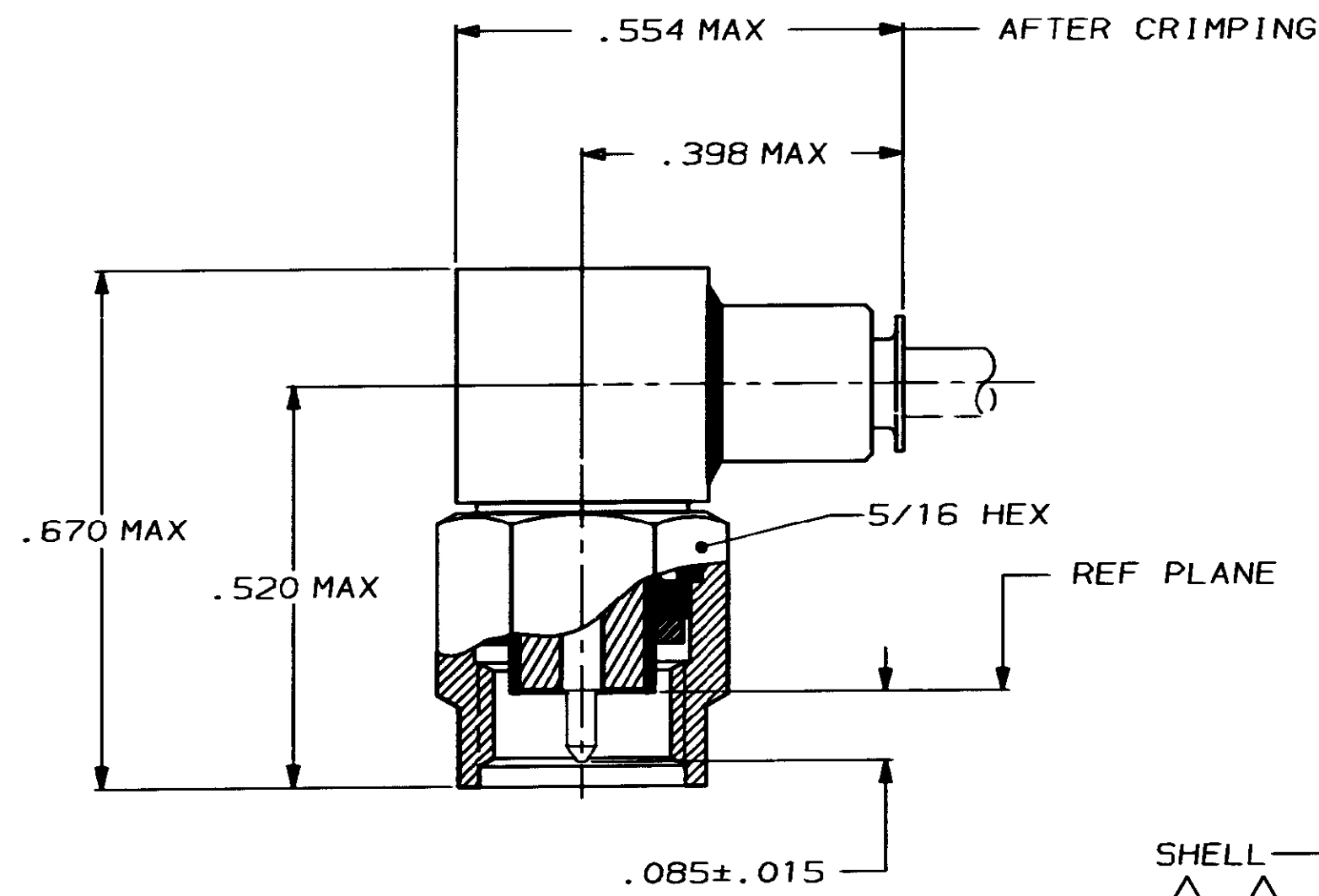
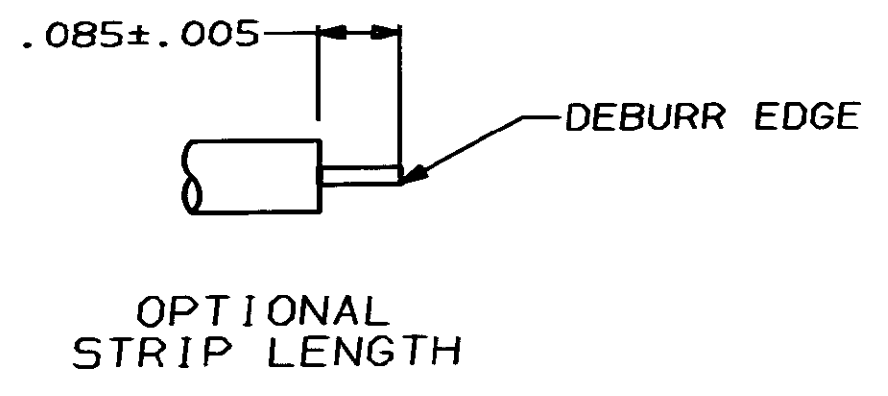
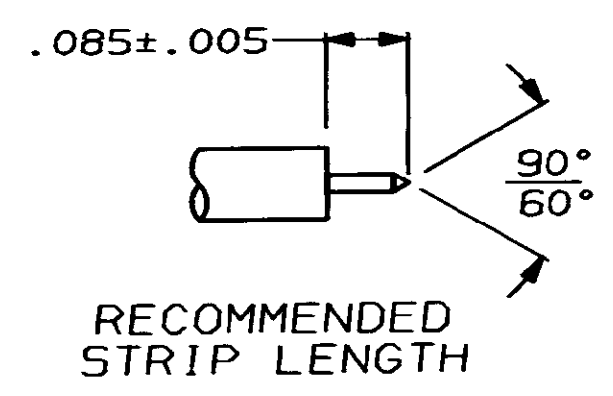


| LOC | DIST | P | F | ZONE | LTR | DESCRIPTION               | DATE    | APPROVED |
|-----|------|---|---|------|-----|---------------------------|---------|----------|
| AJ  | 16   |   |   |      | C   | REV & REDRAWN PER AJ-2627 | 12-7-87 | RR/DH    |
|     |      |   |   |      | D   | REV PER AJ-3649           | 2-15-89 | CB       |



1. FOR USE WITH: RG-405/U, .086 SEMI RIGID CABLE
2. SEE I.S. 6788
3. PTFE PER MIL-P-19468
4. BRASS PER MIL-C-50
5. STAINLESS STEEL PER ASTM-A-582
6. SILICONE RUBBER PER ZZ-R-765
7. BERYLLIUM COPPER PER QQ-C-530
8. NICKEL PL PER QQ-N-290
9. PASSIVATION PER QQ-P-35
10. GOLD PL PER MIL-G-45204
11. .500 MIN LENGTH OF STRAIGHT CABLE REQUIRED TO APPLY THE CONNECTOR
12. 00779 M39012/80-3307



|   |           |                  |             |   |   |              |
|---|-----------|------------------|-------------|---|---|--------------|
| UNLESS OTHERWISE SPECIFIED DIMENSIONS ARE IN INCHES TOLERANCES ON : |           | DR               | R. RUTH     | 12-7-87                                 | 228583-1                                  |              |
| 2 PL DEC ±  | —         | CHK              | D. HEIDE    | 12-7-87                                 | PART NO                                   |              |
| 3 PL DEC ±  | —         | APPD             | M. WALMSLEY | 12-8-87                                 | AMP INCORPORATED<br>Harrisburg, Pa. 17105 |              |
| ANGLES ±  | —         | APPD             | R. RUTH     | 12-10-87                                | NAME                                      |              |
| MATERIAL  | 3 THRU 7  | PRODUCT SPEC     | 108-12055   | PLUG, RIGHT ANGLE,<br>MIL-F, SERIES SMA |   |              |
| FINISH  | 8 THRU 10 | APPLICATION SPEC |             | SIZE                                    | FSCM NO                                   | DRAWING NO   |
|   |           | WEIGHT           |             | C                                       | 00779                                     | 228583-1     |
|   |           |                  |             | SCALE                                   | 5:1                                       | SHEET 1 OF 1 |

单击下面可查看定价，库存，交付和生命周期等信息

[>>TE Connectivity\(泰科\)](#)