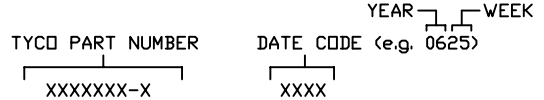


This drawing involves proprietary design rights of Tyco Electronics Corporation, and all design, manufacture, reproduction, use and sale rights regarding the same are expressly reserved. It is submitted for a specific purpose and the recipient by accepting this drawing, assumes custody and control and agrees to take reasonable precautions: (a) that this drawing will not be copied and reproduced, in whole or in part, or its contents revealed in any manner, or to any person, except to meet the purpose for which it was delivered and (b) that any special features peculiar to this design will not be incorporated in other projects without the expressed written permission of Tyco Electronics Corporation.

REVISIONS			
EC	REV	DESCRIPTION	DATE
CPR	A	NEW RELEASE	07/26/06

7. ITEMS PROVIDED TO THIS SPECIFICATION TO BE PERMANENTLY IDENTIFIED PER THE FOLLOWING IDENTIFIER:



8. CONNECTOR INFORMATION

CONNECTOR	TERMINATION TYPE	PC TAIL LENGTH	RECOMMENDED MOUNTING BOARD	MATING BOARD
SOCKET	SOLDER TAIL (STANDARD)	5.08 [.200] 4.06 [.160]	3.2 [.125] OR THINNER	1.6 [.062] THICK

6. EXAMPLE PCB CONFIGURATION.

THIS CONFIGURATION WITH 3 SEGMENT POWER CONNECTOR IS SHOWN FOR REFERENCE ONLY. COMBINATION OF MULTIPLE NUMBERS OF 2 AND 3 SEGMENT MODULES COULD BE USED PER USER PREFERENCE. OVERALL COMBINATION SHOULD NOT EXCEED 8.0" IN LENGTH.

4. SOCKET CONNECTOR ACCEPT 1.6 [.062]±10% THICK PCB.

3. FINISHES:

CONTACTS: SELECTIVE GOLD PLATED, .000030" MIN THICK  
 OVER NICKEL PLATED, .000050" MIN THICK  
 TERMINALS: TIN PLATED, MATTE FINISH, .000120" MIN THICK  
 OVER NICKEL PLATED, .000050" MIN THICK

2. MATERIALS:

INSULATORS: THERMOPLASTIC, GLASS REINFORCED, COLOR-BLACK  
 UL94V-0 FLAMMABILITY RATED.  
 POWER CONTACTS: PHOSPHOR BRONZE ALLOY  
 COPPER ALLOY

1. PART NUMBER CHANGES AND OR DESIGN CHANGES AFFECTING ITEM INTERCHANGEABILITY REQUIRE PRIOR TYCO APPROVAL AND AUTHORIZATION BY REVISION TO THIS DRAWING.

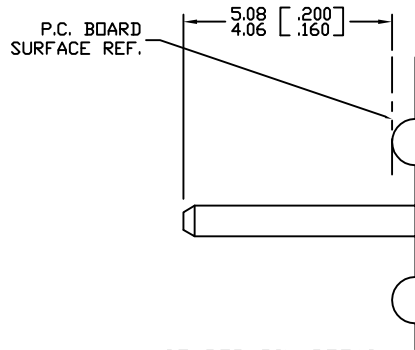
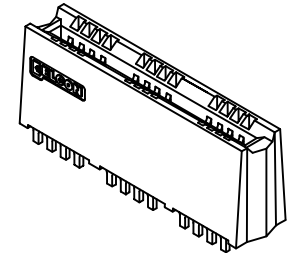
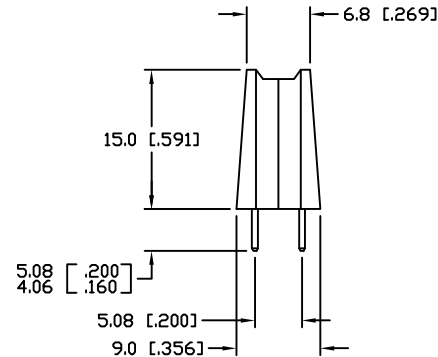
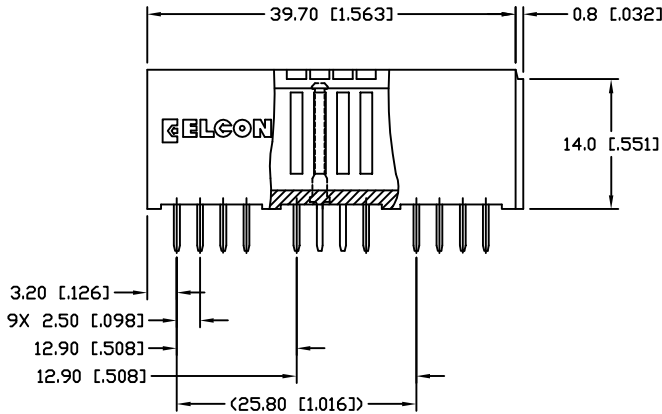
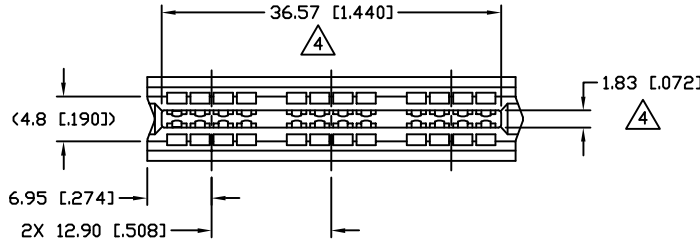
NOTES: UNLESS OTHERWISE SPECIFIED;

6651193-1	AS SHOWN
PART NUMBER	DESCRIPTION

 THIRD ANGLE PROJECTION UNLESS OTHERWISE SPECIFIED DIMENSIONS ARE IN METRIC [INCHES]	DRAWN HA NGUYEN	DATE 07/26/06	Tyco Electronics Corporation Menlo Park, Ca 94025 	TITLE CONNECTOR, SOCKET STANDARD, SOLDER TAIL CROWN EDGE
	CHECKED			
TOLERANCES ANGLES ± .5°	APPROVED STEVE FLICKINGER	07/26/06	ACAD FILE NUMBER C6651193A.DWG	DWG SCALE 2=1 SH 1 OF 3
DECIMALS .XX ± .25 [.010] .X ± .5 [.020]	DCA APPROVED HA NGUYEN	07/26/06		

This drawing involves proprietary design rights of Tyco Electronics Corporation, and all design, manufacture, reproduction, use and sale rights regarding the same are expressly reserved. It is submitted for a specific purpose and the recipient by accepting this drawing, assumes custody and control and agrees to take reasonable precautions: (a) that this drawing will not be copied and reproduced, in whole or in part, or its contents revealed in any manner, or to any person, except to meet the purpose for which it was delivered and (b) that any special features peculiar to this design will not be incorporated in other projects without the expressed written permission of Tyco Electronics Corporation.

REVISIONS			
EC	REV	DESCRIPTION	DATE
		SEE SHEET 1	



9. SOLDER PIN DETAIL  
SCALE: 10 : 1

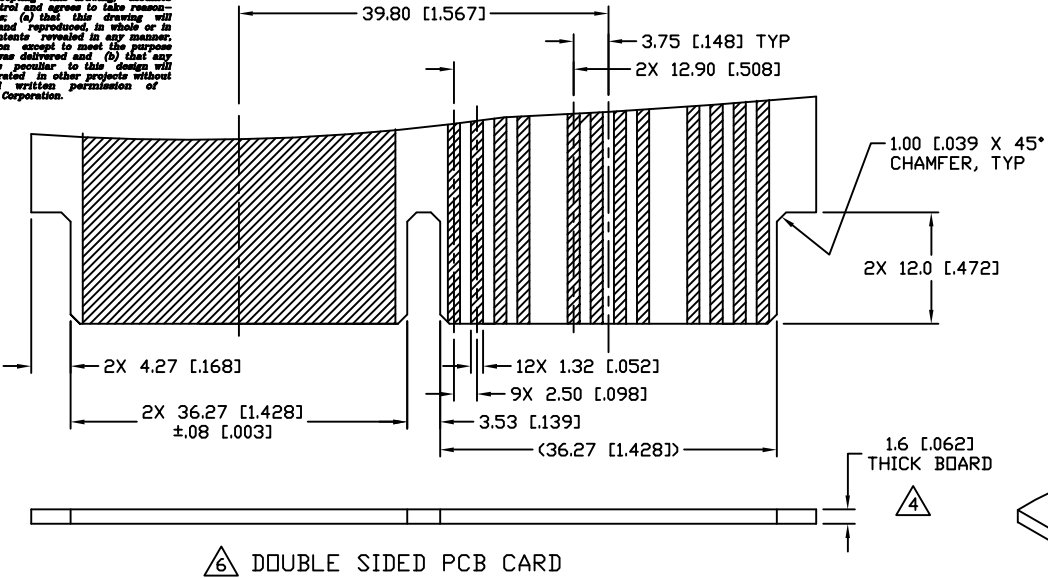
**10 SOLDER TERMINATION AREA**

SCALE: 40 : 1  
 RECOMMENDED PRINTED CIRCUIT HOLE  
 FINISHED HOLE:  $\varnothing 1.02 \pm 0.08$  [ $\varnothing 0.40 \pm 0.03$ ]  
 DRILLED HOLE:  $\varnothing 1.15 \pm 0.013$  [ $\varnothing 0.453 \pm 0.005$ ]  
 COPPER PLATE: 0.025 [0.010] MINIMUM (PER SURFACE)  
 TIN PLATE: 0.008 [0.003] MINIMUM (PER SURFACE)

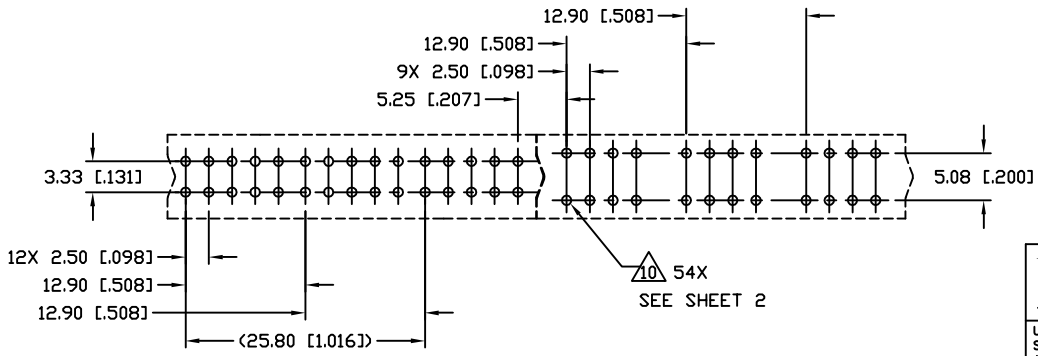
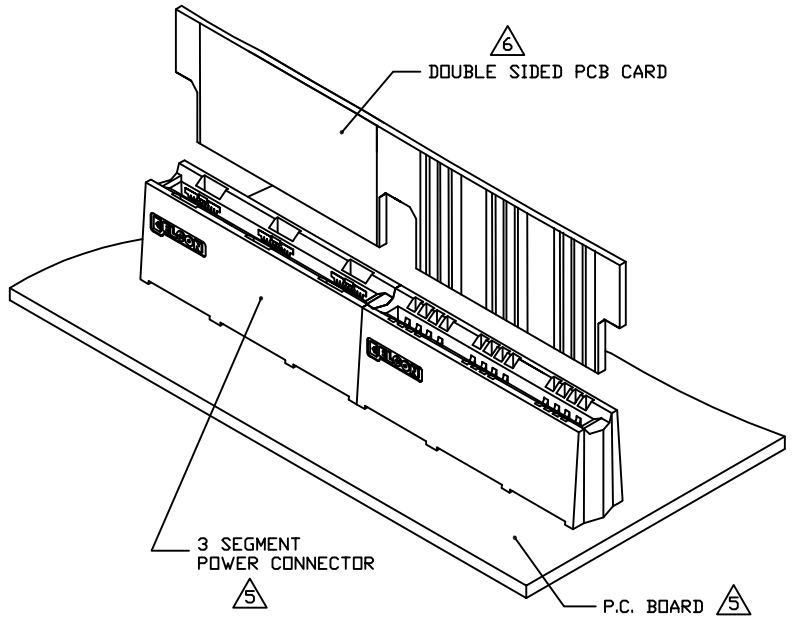
THIRD ANGLE PROJECTION UNLESS OTHERWISE SPECIFIED DIMENSIONS ARE IN METRIC [INCHES] TOLERANCES ANGLES $\pm .5^\circ$ DECIMALS .XX $\pm .25$ [0.10] .X $\pm .5$ [0.20]	DRAWN HA NGUYEN	DATE 07/26/06	Tyco Electronics Corporation Menlo Park, Ca 94025 	TITLE CONNECTOR, SOCKET STANDARD, SOLDER TAIL CROWN EDGE	SIZE DWG NUMBER B C = 6651193	REV. A
	CHECKED					
	APPROVED					
	APPROVED STEVE FLICKINGER DCA APPROVED HA NGUYEN	07/26/06				
ACAD FILE NUMBER	C6651193A.DWG		DWG SCALE	2=1	SH 2 OF 3	

This drawing involves proprietary design rights of Tyco Electronics Corporation, and all design, manufacture, reproduction, use and sale rights regarding the same are expressly reserved. It is submitted for a specific purpose and the recipient by accepting this drawing, assumes custody and control and agrees to take reasonable precautions: (a) that this drawing will not be copied and reproduced, in whole or in part, or its contents revealed in any manner, or to any person, except to meet the purpose for which it was delivered and (b) that any special features peculiar to this design will not be incorporated in other projects without the expressed written permission of Tyco Electronics Corporation.

REVISIONS			
EC	REV	DESCRIPTION	DATE
		SEE SHEET 1	



△ 6 DOUBLE SIDED PCB CARD



△ 5 RECOMMENDED PCB LAYOUT

MM INCH	OR MM [INCH]	DRAWN HA NGUYEN	DATE 07/26/06	<b>tyco</b> <b>Electronics</b>	Tyco Electronics Corporation Menlo Park, Ca 94025	<b>ELCON</b>
THIRD ANGLE PROJECTION		CHECKED		TITLE		
UNLESS OTHERWISE SPECIFIED DIMENSIONS ARE IN METRIC [INCHES]		APPROVED		USER INFORMATION RECOMMENDED PCB LAYOUT CROWN EDGE		
TOLERANCES		APPROVED		SIZE	DWG NUMBER	REV.
ANGLES ± .5°		STEVE FLICKINGER	07/26/06	B	C = 6651193	A
DECIMALS		DCA APPROVED				
.XX ± .25 [0.010]		HA NGUYEN	07/26/06			
.X ± .5 [0.020]		ACAD FILE NUMBER	C6651193A.DWG	DWG SCALE 2=1 SH 3 OF 3		

单击下面可查看定价，库存，交付和生命周期等信息

[>>TE Connectivity\(泰科\)](#)